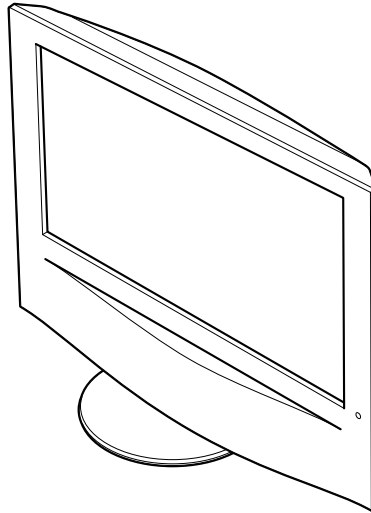


KLV-23HR2

SERVICE MANUAL

US Model
Canadian Model



SPECIFICATIONS

Television system:

American TV standard

Channel coverage:

VHF: 2-13/UHF: 14-69/CATV: 1-125

Antenna:

75 ohm external terminal for VHF/UHF

Screen size (measured diagonally):

23 inches

Panel System:

a-Si TFT Active Matrix LCD panel
(Effective dots: more than 99.99%)

Display resolution:

1,280 dots (horizontal) × 768 lines (vertical)

VIDEO 1/2 IN:

S VIDEO (4-pin mini DIN):

Y: 1 Vp-p, 75-ohms unbalanced,
sync negative

C: 0.286 Vp-p (Burst signal),
75 ohms

VIDEO: 1 Vp-p, 75-ohms unbalanced,
sync negative

AUDIO: 500 mVrms (100% modulation)
Impedance: 47 kilohms

VIDEO 3 IN:

Y, Pb, Pr (Component Video):

Y: 1.0 Vp-p, 75 ohms
unbalanced, sync negative

Pb: 0.7 Vp-p, 75 ohms

Pr: 0.7 Vp-p, 75 ohms

Signal format:

480i, 480p, 720p, 1080i

AUDIO:

500 mVrms (100% modulation)

Impedance: 47 kilohms

VIDEO 4 IN:

DVI-HDTV:

1 terminal, 3.3 V T.M.D.S.,
50 ohms

The DVI-HDTV input terminals
compliant with the EIA-861B
standard and is not intended for
use with PC.

AUDIO:

500 mVrms (100% modulation)

Impedance : 47 kilohms

AUDIO OUT:

500 mVrms (100% modulation)

More than 500 mVrms at the maximum volume setting
(Variable)

More than 500 mVrms (Fixed)

LCD Color TV
SONY®

Headphones:

Stereo minijack
Impedance: 16 ohms

Speaker:

Full range: $\varnothing 5.0$ cm ($1 \frac{31}{32}$ inches) (2)
Woofer: $\varnothing 5.5$ cm ($2 \frac{5}{32}$ inches) (2)

Speaker output:

2.0 W + 2.0 W + 3.8 W

Power requirement:

120 V AC, 60 Hz

Power consumption:

In use (Max.): 103 W
In standby: Less than 1 W

Dimensions (W/H/D):

Including TV stand: $598 \times 506 \times 230$ mm
($23 \frac{17}{32} \times 19 \frac{29}{32} \times 9 \frac{1}{16}$ inches)
Without TV stand: $598 \times 478 \times 119$ mm
($23 \frac{17}{32} \times 18 \frac{13}{16} \times 4 \frac{11}{16}$ inches)

Mass:

Including TV stand: 11.2 kg (24 lb 11 oz)
Without TV stand: 10.0 kg (22 lb 1 oz)

Supplied accessories:

Remote control RM-Y1105 (1)
Batteries size AA (2)
75-ohm coaxial cable (1)
AC power cord (1)
Operating Instructions
Warranty Card
Product Registration

Optional accessories:

Note that some optional accessories may be out of stock.

Headphones plug adaptor
Connecting cables
"Memory Stick" media
Wall-Mount Bracket
SU-W210

Design and specifications are subject to change without notice.

WARNING AND CAUTIONS


CAUTION

These servicing instructions are for use by qualified service personnel only. To reduce the risk of electric shock, do not perform any servicing other than that contained in the operating instructions unless you are qualified to do so.

WARNING!!

An isolation transformer should be used during any service to avoid possible shock hazard, because of live chassis. The chassis of this receiver is directly connected to the ac power line.

SAFETY-RELATED COMPONENT WARNING!!


Components identified by shading and  mark on the schematic diagrams, exploded views, and in the parts list are critical for safe operation. Replace these components with Sony parts whose part numbers appear as shown in this manual or in supplements published by Sony. Circuit adjustments that are critical for safe operation are identified in this manual. Follow these procedures whenever critical components are replaced or improper operation is suspected.

ATTENTION!!

Ces instructions de service sont à l'usage du personnel de service qualifié seulement. Pour prévenir le risque de choc électrique, ne pas faire l'entretien autre que celui contenu dans le Mode d'emploi à moins que vous soyez qualifié faire ainsi.

Afin d'éviter tout risque d'électrocution provenant d'un châssis sous tension, un transformateur d'isolement doit être utilisé lors de tout dépannage. Le châssis de ce récepteur est directement raccordé à l'alimentation du secteur.

ATTENTION AUX COMPOSANTS RELATIFS A LA SECURITE!!

Les composants identifiés par une trame et par une marque  sur les schémas de principe, les vues explosées et les listes de pièces sont d'une importance critique pour la sécurité du fonctionnement. Ne les remplacer que par des composants Sony dont le numéro de pièce est indiqué dans le présent manuel ou dans des suppléments publiés par Sony. Les réglages de circuit dont l'importance est critique pour la sécurité du fonctionnement sont identifiés dans le présent manuel. Suivre ces procédures lors de chaque remplacement de composants critiques, ou lorsqu'un mauvais fonctionnement suspecte.

SAFETY CHECK-OUT

After correcting the original service problem, perform the following safety checks before releasing the set to the customer:

1. Check the area of your repair for unsoldered or poorly-soldered connections. Check the entire board surface for solder splashes and bridges.
2. Check the interboard wiring to ensure that no wires are "pinched" or contact high-wattage resistors.
3. Check that all control knobs, shields, covers, ground straps, and mounting hardware have been replaced. Be absolutely certain that you have replaced all the insulators.
4. Look for unauthorized replacement parts, particularly transistors, that were installed during a previous repair. Point them out to the customer and recommend their replacement.
5. Look for parts which, though functioning, show obvious signs of deterioration. Point them out to the customer and recommend their replacement.
6. Check the line cords for cracks and abrasion. Recommend the replacement of any such line cord to the customer.
7. Check the B+ and HV to see if they are specified values. Make sure your instruments are accurate; be suspicious of your HV meter if sets always have low HV.
8. Check the antenna terminals, metal trim, "metallized" knobs, screws, and all other exposed metal parts for AC Leakage. Check leakage as described right.

LEAKAGE TEST

The AC leakage from any exposed metal part to earth ground and from all exposed metal parts to any exposed metal part having a return to chassis, must not exceed 0.5 mA (500 microamperes).

Leakage current can be measured by any one of three methods.

1. A commercial leakage tester, such as the Simpson 229 or RCA WT-540A. Follow the manufacturers' instructions to use these instruments.
2. A battery-operated AC milliammeter. The Data Precision 245 digital multimeter is suitable for this job.
3. Measuring the voltage drop across a resistor by means of a VOM or battery-operated AC voltmeter. The "limit" indication is 0.75 V, so analog meters must have an accurate low-voltage scale. The Simpson 250 and Sanwa SH-63Trd are examples of a passive VOMs that are suitable. Nearly all battery operated digital multimeters that have a 2 V AC range are suitable. (See Fig. A)

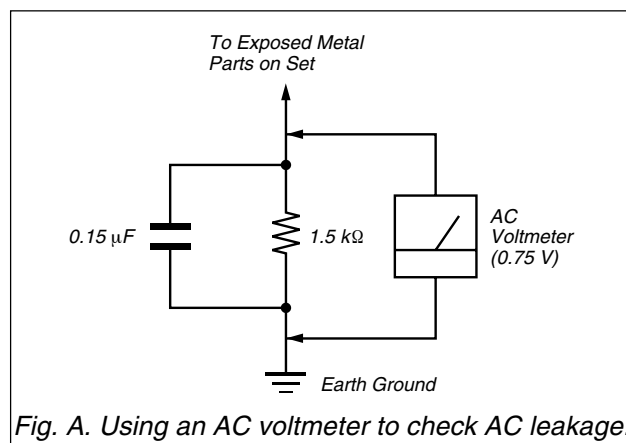


Fig. A. Using an AC voltmeter to check AC leakage.

WARNING!!

SAFETY-RELATED COMPONENT WARNING!!
COMPONENTS IDENTIFIED BY SHADING AND MARK \triangle ON THE SCHEMATIC DIAGRAMS, EXPLODED VIEWS AND IN THE PARTS LIST ARE CRITICAL FOR SAFE OPERATION. REPLACE THESE COMPONENTS WITH SONY PARTS WHOSE PART NUMBERS APPEAR AS SHOWN IN THIS MANUAL OR IN SUPPLEMENTS PUBLISHED BY SONY. CIRCUIT ADJUSTMENTS THAT ARE CRITICAL FOR SAFE OPERATION ARE IDENTIFIED IN THIS MANUAL. FOLLOW THESE PROCEDURES WHENEVER CRITICAL COMPONENTS ARE REPLACED OR IMPROPER OPERATION IS SUSPECTED.

AVERTISSEMENT!!

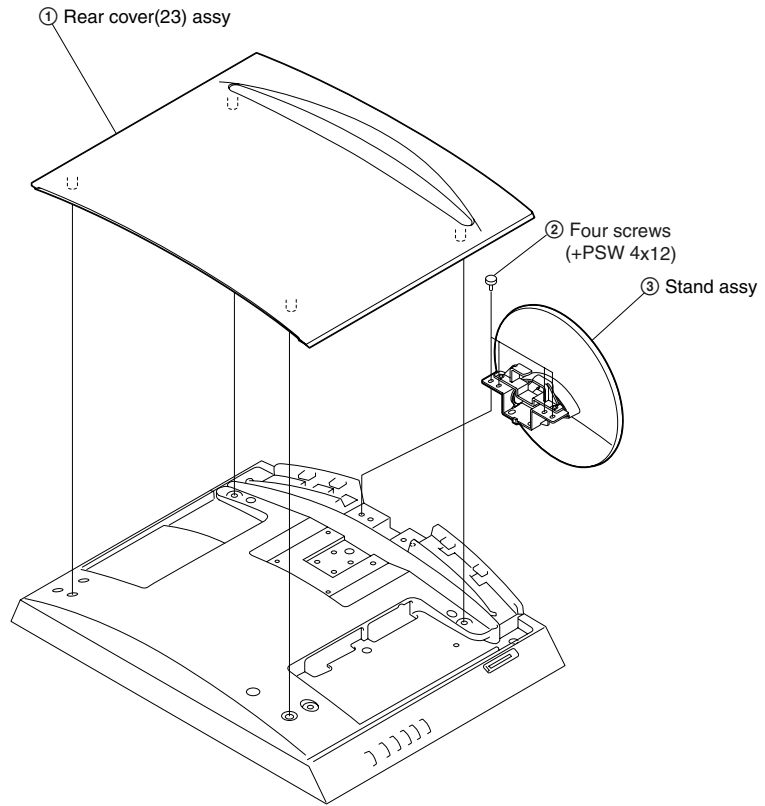
ATTENTION AUX COMPOSANTS RELATIFS À LA SÉCURITÉ!!
LES COMPOSANTS IDENTIFIÉS PAR UNE TRAME ET UNE MARQUE ! SONT CRITIQUES POUR LA SÉCURITÉ. NE LES REMPLACER QUE PAR UNE PIÈCE PORTANT LE NUMÉRO SPECIFIÉ. LES RÉGLAGES DE CIRCUIT DONT L'IMPORTANCE EST CRITIQUE POUR LA SÉCURITÉ DU FONCTIONNEMENT SONT IDENTIFIÉS DANS LE PRÉSENT MANUEL. SUIVRE CES PROCÉDURES LORS DE CHAQUE REMPLACEMENT DE COMPOSANTS CRITIQUES, OU LORSQU'UN MAUVAIS FONCTIONNEMENT EST SUSPECTÉ.

TABLE OF CONTENTS

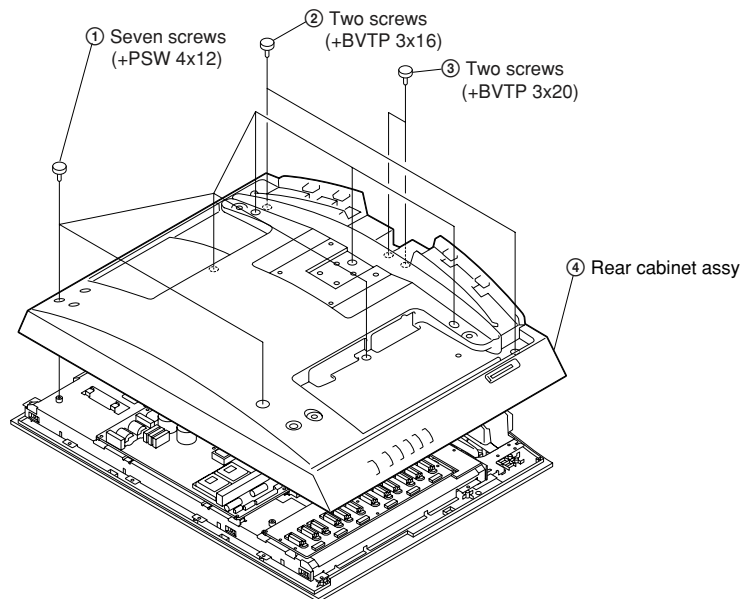
1. DISASSEMBLY	1-1	4. EXPLODED VIEWS	4-1
1-1. REAR COVER AND STAND ASSY REMOVAL	1-1	4-1. CHASSIS	4-2
1-2. REAR CABINET ASSY REMOVAL	1-1	4-2. PACKING MATERIALS	4-4
1-3. H1 BOARD REMOVAL	1-2		
1-4. D3 AND MSX BOARDS REMOVAL	1-2		
1-5. U1 BOARD REMOVAL	1-3	5. ELECTRICAL PARTS LIST	5-1
1-6. MS AND MSB BOARDS REMOVAL	1-3		
1-7. G BOARD REMOVAL	1-4		
1-8. A AND TU BOARDS REMOVAL	1-4		
1-9. B AND UD BOARDS REMOVAL	1-5		
1-10. H5 BOARD REMOVAL	1-5		
1-11. H2 BOARD REMOVAL	1-6		
1-12. LDC MODULE REMOVAL	1-6		
1-13. H4 BOARD REMOVAL	1-7		
2.ADJUSTMENTS	2-1		
2-1. ADJUSTMENT OF SIGNAL LEVEL	2-1		
2-1-1. Check AD calibration registration items	2-1		
2-1-2. Y signal AD calibration of TV/VIDEO input	2-1		
2-1-3. C signal AD calibration of TV/VIDEO input	2-1		
2-1-4. Y signal AD calibration of COMPONENT input	2-2		
2-1-5. C signal AD calibration of COMPONENT input	2-2		
2-1-6. Y signal AD calibration of DVI input	2-3		
2-1-7. C signal AD calibration of DVI input	2-3		
2-2. WHITE BALANCE ADJUSTMENT	2-3		
2-2-1. White Balance of color temerature “cool”	2-3		
2-2-2. White Balance of color temerature “natural”	2-3		
2-2-3. White Balance of color temerature “warm”	2-3		
3.DIAGRAMS	3-1		
3-1. BLOCK DIAGRAMS	3-1		
3-2. FRAME DIAGRAM	3-9		
3-3. CIRCUIT BOARDS LOCATION	3-10		
3-4. CHEMATIC DIAGRAMS AND PRINTED WIRING BOARDS	3-10		
(1) Schematic Diagrams of A Board	3-11		
(2) Schematic Diagrams of B Board	3-16		
(3) Schematic Diagrams of D3 Board	3-25		
(4) Schematic Diagram of G Board	3-30		
(5) Schematic Diagram of H1 and H2 Boards	3-32		
(6) Schematic Diagram of H4 and H5 Boards	3-33		
(7) Schematic Diagrams of MS Board	3-34		
(8) Schematic Diagram of MSB and MSX Board	3-38		
(9) Schematic Diagram of TU Board	3-39		
(10) Schematic Diagram of U1 Board	3-40		
(11) Schematic Diagram of UD Board	3-41		
3-5. SEMICONDUCTORS	3-43		

SECTION 1 DISASSEMBLY

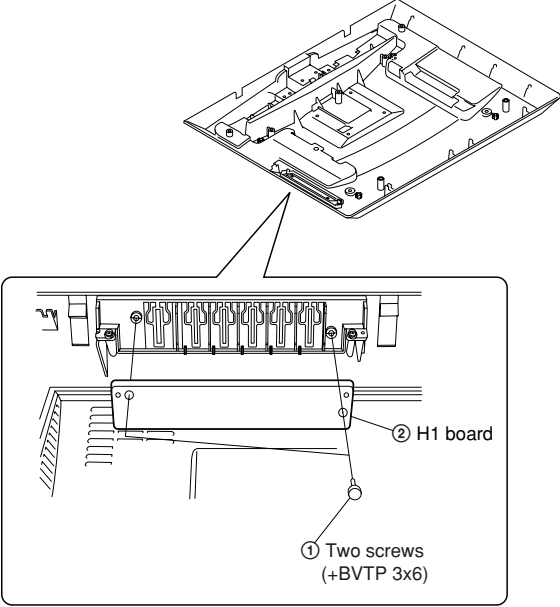
1-1. REAR COVER AND STAND ASSY REMOVAL



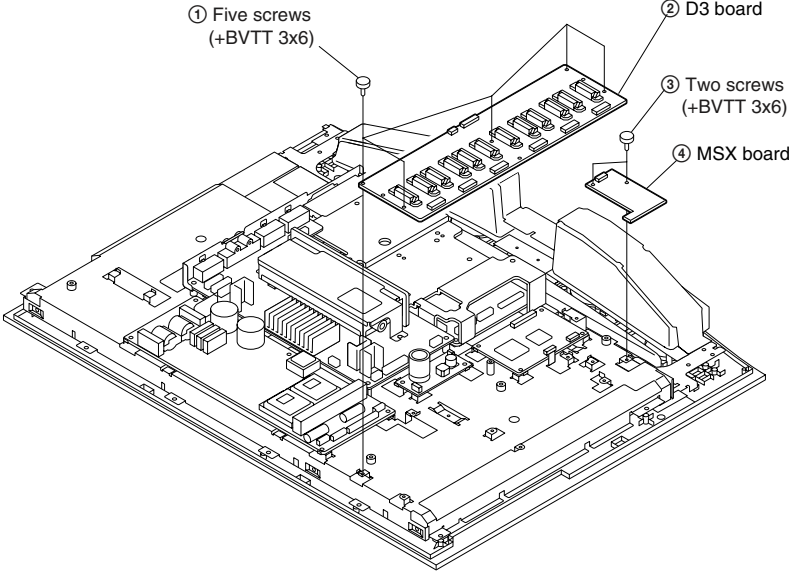
1-2. REAR CABINET ASSY REMOVAL



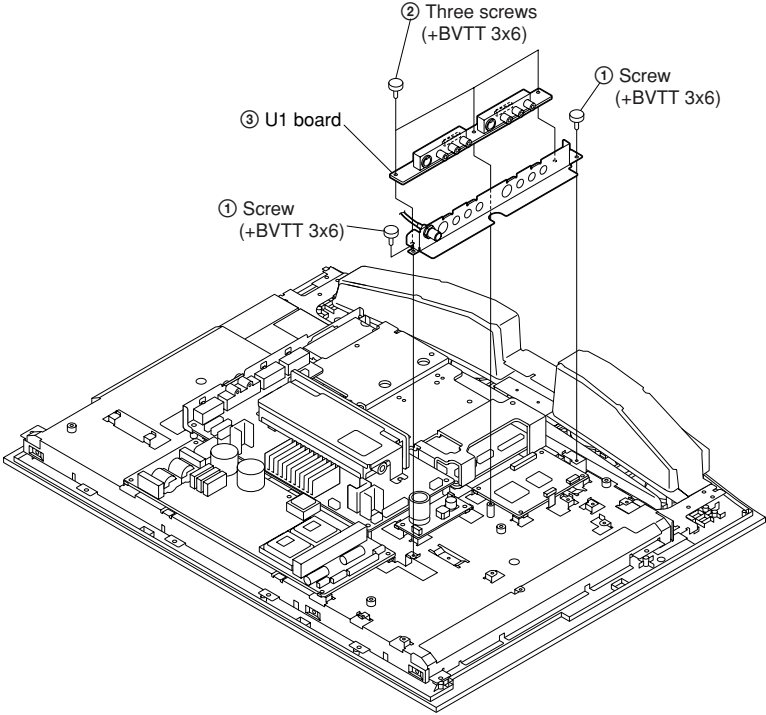
1-3. H1 BOARD REMOVAL



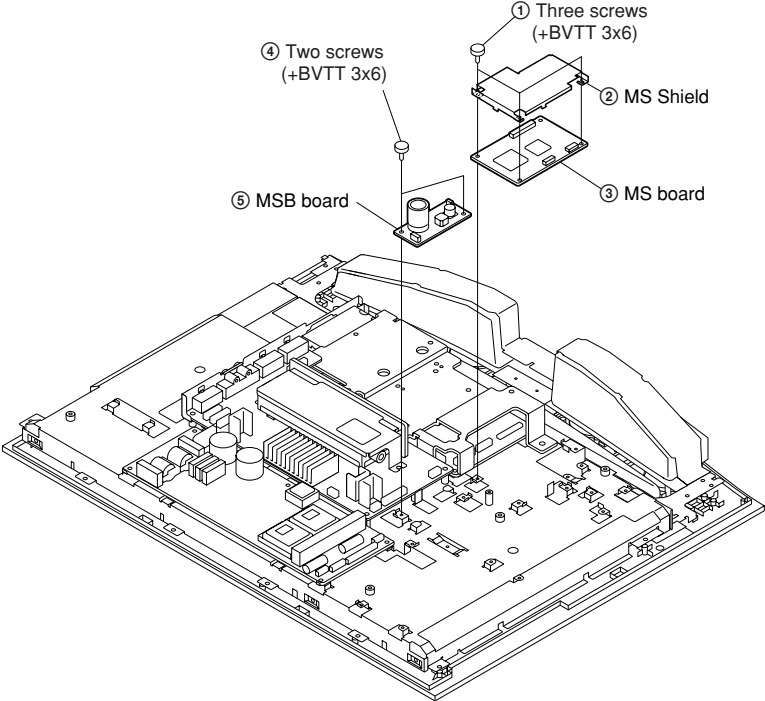
1-4. D3 AND MSX BOARDS REMOVAL



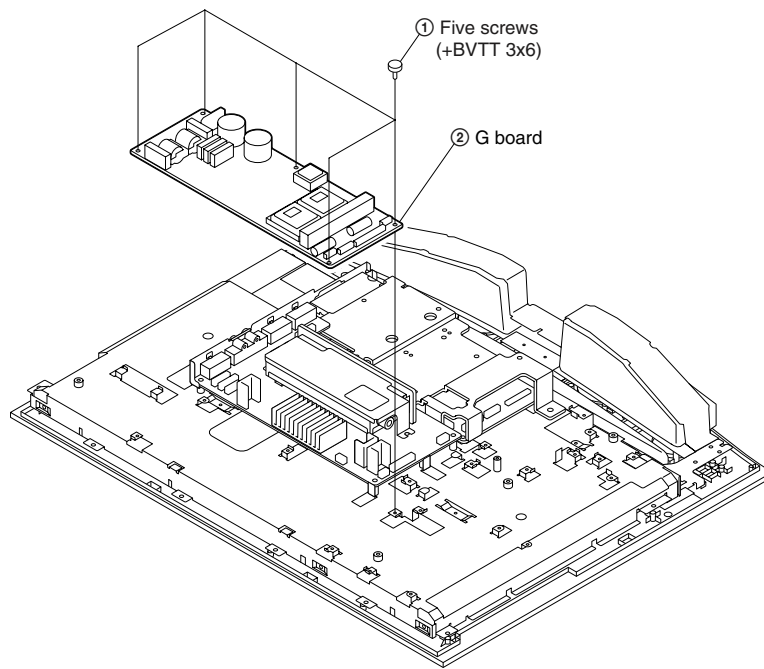
1-5. U1 BOARD REMOVAL



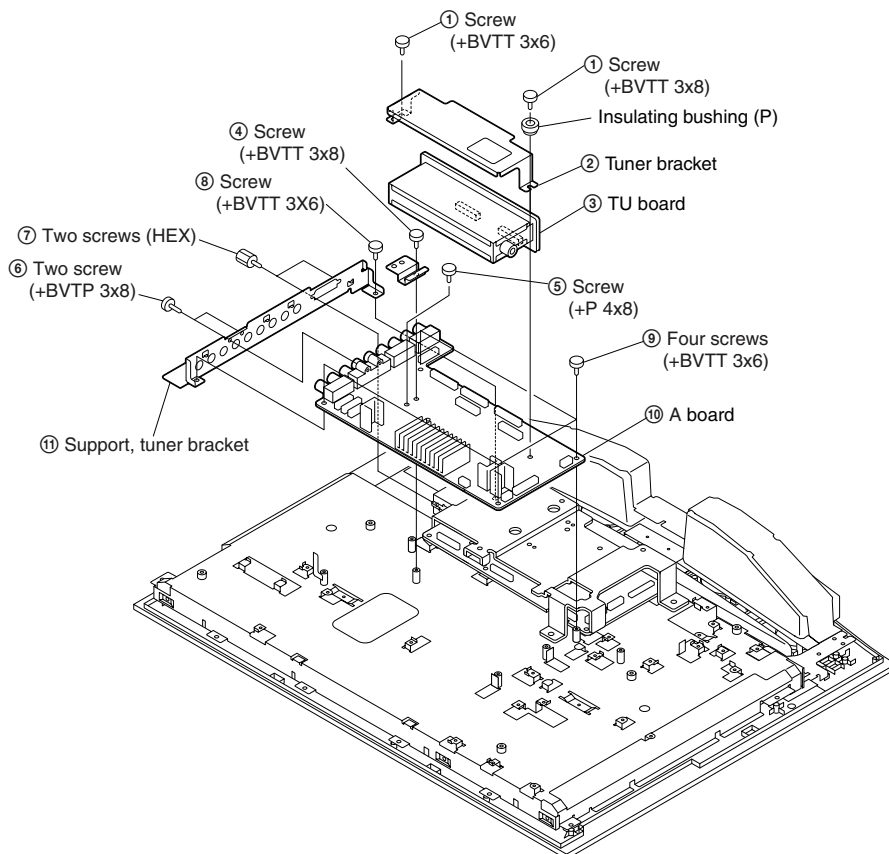
1-6. MS AND MSB BOARDS REMOVAL



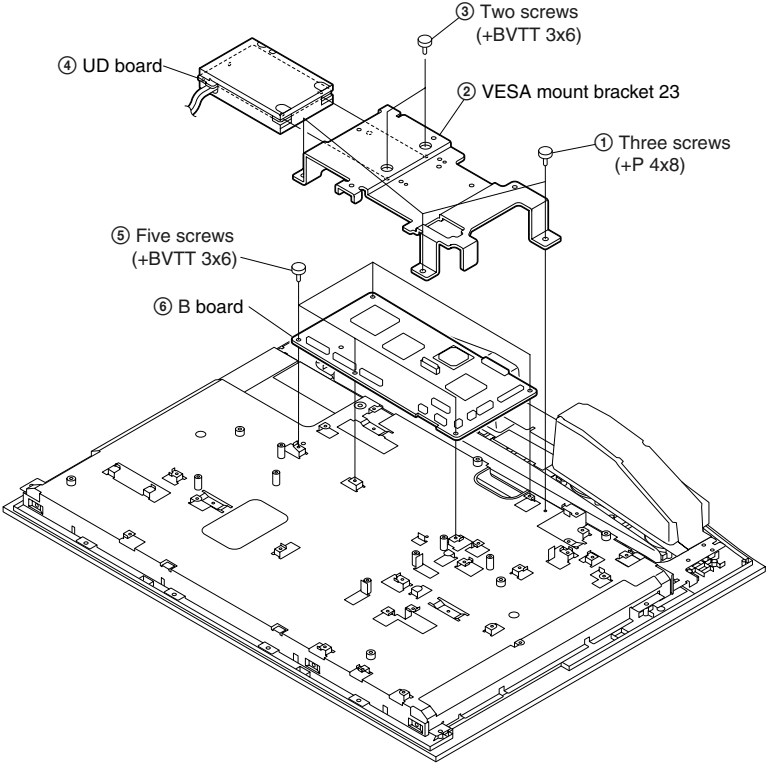
1-7. G BOARD REMOVAL



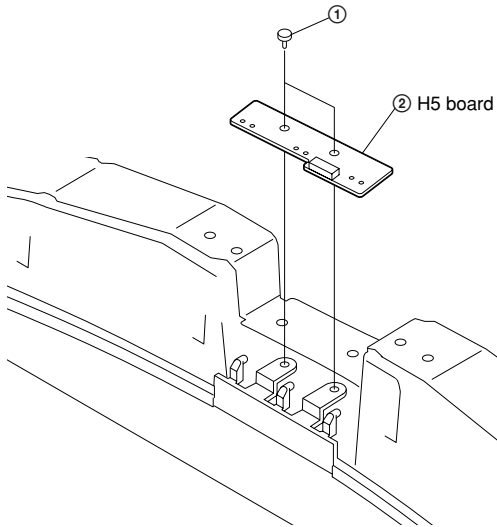
1-8. A AND TU BOARDS REMOVAL



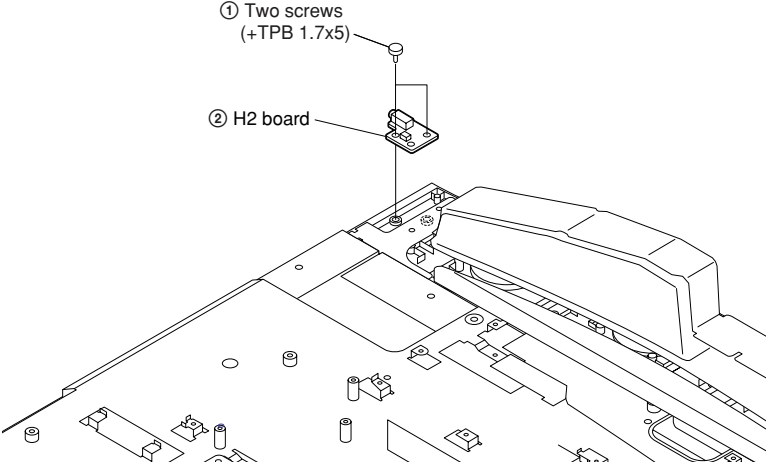
1-9. B AND UD BOARDS REMOVAL



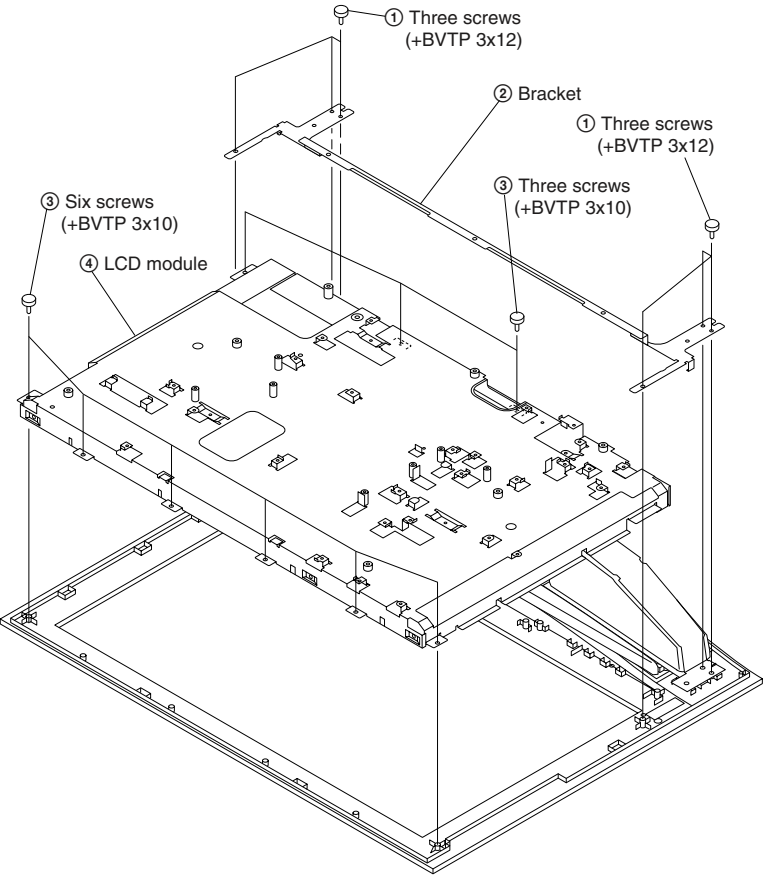
1-10. H5 BOARD REMOVAL



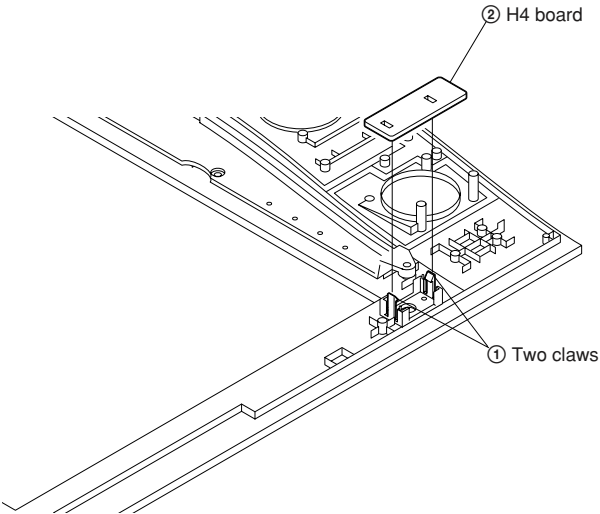
1-11. H2 BOARD REMOVAL



1-12. LDC MODULE REMOVAL



1-13. H4 BOARD REMOVAL



SECTION 2 ADJUSTMENTS

< PREPARATIONS >

1. Aging
 - Input no signal and set the monitor to aging mode.
 - Aging Setting
MON_CON_REG_2 = 217
2. Aging condition
 - Power supply : 220-240 V (50/60Hz)
 - Time : More than 10 minutes
 - Temperature : 22°C to 28°C
 - Luminance : On aging mode setting

Note:

When the power is cycled between aging and W/B adjustment, perform the aging in 30sec or more before the W/B adjustment.

2-1. Adjustment of signal level.

2-1-1. Check AD calibration registration items.

1. Check that follows items are default .

<Check registration items>

TARGET_PW_IN_Y
 ADJ_Y_DEADBAND
 ADJ_Y_LOOPATTEN
 TARGET_PW_IN_C
 ADJ_C_DEADBAND
 ADJ_C_LOOPATTEN
 AD_ADJ_TIME_OUT
 AD_COLOR_OFFSET_TV
 AD_COLOR_OFFSET_V
 AD_COLOR_OFFSET_S
 AD_COLOR_OFFSET_D1
 AD_COLOR_OFFSET_D2
 AD_COLOR_OFFSET_D3
 AD_COLOR_OFFSET_D4

2-1-2. Y signal AD calibration of TV/VIDEO input.

1. Check "CO_CTRL" = 0
2. Set data as follows.

<Setting data>

COLOR	25
DYNA_PICT	0 (OFF)
DC_TRAN	0 (OFF)

3. Input 7.5 IRE black full field with burst in video 1 input .
4. Send "READ_PW_INPUT_Y" command from ECS.
5. Check thgat the detection value of "PW_INPUT_Y" is within the standard of the following column.

<Video(composit) input detection value average on 0.75 IRE black full field>

Item	Standard
PW_INPUT_Y	11 ± 3

6. Input 100 IRE white full field with burst.
7. Send "ADJUST_Y_LEVEL_VIDEO" command from ECS.
The Y_LEVEL_CCP2_04 registration of the video range is adjusted automatic by this command.
Adjustment value also is copied in the TV and S video range.
8. Check that the detection value of "PW_INPUT_Y" is within the standard of the following column.

<Video(composit) input detection value average on 100 IRE white full field>

Item	Standard
PW_INPUT_Y	195 ± 2

2-1-3. C signal AD calibration of TV/VIDEO input.

1. Check "MON_CON_REG 1" = 3
2. Set data as follows.

<Setting data>

COLOR	25
DYNA_PICT	0 (OFF)
DC_TRAN	0 (OFF)

3. Input 0 IRE black full field with burst in video input .
4. Send "READ_PW_INPUT_CB" command from ECS.
5. Check thgat the detection value of "PW_INPUT_CB" is within the standard of the following column.

<Video(composit) input detection value average on 0 IRE black full field>

Item	Standard
PW_INPUT_CB	128 ± 5

6. Input blue full field with burst.
7. Send "ADJUST_C_LEVEL_VIDEO" command from ECS.
The C_LEVEL_CCP2_05 registration of the video range is adjusted automatic by this command.
The value that increased and redused offset data is copied in the TV and S video range.
8. Check that the detection value of "PW_INPUT_CB" is within the standard of the following column.

<Video(composit) input standard value on blue full field>

Item	Standard
PW_INPUT_CB	230 ± 2

9. Input red full field with burst.
10. Send "READ_PW_INPUT_CR" command from ECS.
11. Check that the detection value of "PW_INPUT_CR" is within the standard of the following column.

<Video(composit) input standard value on red full field>

Item	Standard
PW_INPUT_CR	230 ± 3

2-1-4. Y signal AD calibration of COMPONENT input.

1. Check "CP_CTRL" = 0
2. Set data as follows.

<Setting data>

COLOR	25
DYNA_PICT	0 (OFF)
DC_TRAN	0 (OFF)

3. Input 0 IRE black full field with burst in video 3 input .
4. Send "READ_PW_INPUT_Y" command from ECS.
5. Check thgat the detection value of "PW_INPUT_Y" is within the standard of the following column.

<Video 3 input detection value average on 0 IRE black full field>

Item	Standard
PW_INPUT_Y	11 ± 3

6. Input 100 IRE white full field with burst.
7. Send "ADJUST_Y_LEVEL_D1" command from ECS.
The Y_LEVEL_CCP2_04 registration of the D1 range is adjusted automatic by this command.
Adjustment value also is copied in the D2, D3 and D4 range.
8. Check that the detection value of "PW_INPUT_Y" is within the standard of the following column.

<Video 3 input detection value average on 100 IRE white full field>

Item	Standard
PW_INPUT_Y	195 ± 2

2-1-5. C signal AD calibration of COMPONENT input.

1. Check "CP_CTRL" = 0
2. Set data as follows.

<Setting data>

COLOR	25
DYNA_PICT	0 (OFF)
DC_TRAN	0 (OFF)

3. Input 0 IRE black full field with burst in video 3 input .
4. Send "READ_PW_INPUT_CB" command from ECS.
5. Check thgat the detection value of "PW_INPUT_CB" is within the standard of the following column.

<Video(composit) input detection value average on 0 IRE black full field>

Item	Standard
PW_INPUT_CB	128 ± 5

6. Input blue full field with burst.
7. Send "ADJUST_C_LEVEL_D1" command from ECS.
The C_LEVEL_CCP2_05 registration of the D1 range is adjusted automatic by this command.
The value that increased and redused offset data is copied in the D2, D3 and D4 range.

8. Check that the detection value of "PW_INPUT_CB" is within the standard of the following column.

<Video 3 input standard value on blue full field>

Item	Standard
PW_INPUT_CB	230 ± 2

9. Input red full field with burst.
10. Send "READ_PW_INPUT_CR" command from ECS.
11. Check that the detection value of "PW_INPUT_CR" is within the standard of the following column.

<Video 3 input standard value on blue full field>

Item	Standard
PW_INPUT_CR	230 ± 3

2-1-6. Y signal AD calibration of DVI input.

1. Check "CP_CTRL" = 0
2. Set data as follows.

<Setting data>

COLOR	25
DYNA_PICT	0 (OFF)
DC_TRAN	0 (OFF)

3. Input 0 IRE black full field with burst in video 4 input .
4. Send "READ_PW_INPUT_Y" command from ECS.
5. Check thgat the detection value of "PW_INPUT_Y" is within the standard of the following column.

<Video 4 input detection value average on 0 IRE black full field>

Item	Standard
PW_INPUT_Y	11 ± 3

6. Input 100 IRE white full field with burst.
7. Send "ADJUST_Y_LEVEL_DVI" command from ECS.
The Y_LEVEL_CCP2_04 registration of the DVI_D1 range is adjusted automatic by this command.
Adjustment value also is copied in the DVI_D2, DVI_D3 and DVI_D4 range.

8. Check that the detection value of "PW_INPUT_Y" is within the standard of the following column.

<Video 4 input detection value average on 100 IRE white full field>

Item	Standard
PW_INPUT_Y	195 ± 2

2-1-7. C signal AD calibration of DVI input.

1. Check "CP_CTRL" = 0
2. Set data as follows.

<Setting data>

COLOR	25
DYNA_PICT	0 (OFF)
DC_TRAN	0 (OFF)

3. Input 0 IRE black full field with burst in video 3 input .
4. Send "READ_PW_INPUT_CB" command from ECS.

- Check that the detection value of "PW_INPUT_CB" is within the standard of the following column.

<Video 4 input detection value average on 0 IRE black full field>

Item	Standard
PW_INPUT_CB	128 ± 5

- Input blue full field with burst.
- Send "ADJUST_C_LEVEL_DVI" command from ECS. The C_LEVEL_CCP2_05 registration of the video range is adjusted automatic by this command. The value that increased and reduced offset data is copied in the DVI_D2, DVI_D3 and DVI_D4 range.
- Check that the detection value of "PW_INPUT_CB" is within the standard of the following column.

<Video 4 input standard value on blue full field>

Item	Standard
PW_INPUT_CB	230 ± 2

- Input red full field with burst.
- Send "READ_PW_INPUT_CR" command from ECS.
- Check that the detection value of "PW_INPUT_CR" is within the standard of the following column.

<Video 4 input standard value on blue full field>

Item	Standard
PW_INPUT_CR	230 ± 3

2-2. White Balance Adjustment

2-2-1. White Balance of color temperature "cool"

- After setting PICTURE_MODE=2(Pro) set data as follows.

<Confirmation of setting data>

Save system	Item
Picture Save	PICTURE =100 (Max) BRIGHTNESS=50 (Center) COLOR_INDEX=1 ("Normal") DYNA_PICT=0 DC_TRAN=0 GAMMA=0 U_BACKLIGHT=10 (Max)
Default Save	ECO_MODE=1 (Standard)
Color Save	R_DRIVE=124 G_DRIVE=128 B_DRIVE=129 R_BKG=129 G_BKG=128 B_BKG=125

- Input 70 IRE gray full field signal in video 1 input .

- Adjust R_DRIVE, B_DRIVE until high light adjustment value.

<high light adjustment value (9000K)>

	KLK-23HR2	range
x	0.282	0.7JND
y	0.291	0.7JND
Y	-	N/A

- Input 20 IRE gray full field signal in video 1 input .
- Adjust R_BKG, B_BKG until low light adjustment value.

<back ground adjustment value >

	KLK-23HR2	range
x	0.282	0.9JND
y	0.291	0.9JND
Y	-	N/A

- Repeat step 1-4 until it is high and low light adjustment value.
- Do "Color Save"

2-2-2. White Balance Adjustment of color temperature "natural"

- Set the COLOR_INDEX to 2 (Natural).
- Set the R_DRIVE, G_DRIVE, B_DRIVE, R_BKG, G_BKG, and B_BKG to the following calculated value.

Setting of Color Temperature "Natural"

Item	Formula 23
R_DRIVE	Adjusted value of Color Temperature "Cool" x 1.024
G_DRIVE	Adjusted value of Color Temperature "Cool"
B_DRIVE	Adjusted value of Color Temperature "Cool" x 0.918
R_BKG	Adjusted value of Color Temperature "Cool" x 1.002
G_BKG	Adjusted value of Color Temperature "Cool"
B_BKG	Adjusted value of Color Temperature "Cool" x 1.036

- Perform the Color Save.

2-2-3. White Balance Adjustment of color temperature "warm"

- Set the COLOR_INDEX to 3 (Warm).
- Set the R_DRIVE, G_DRIVE, B_DRIVE, R_BKG, G_BKG, and B_BKG to the following calculated value.

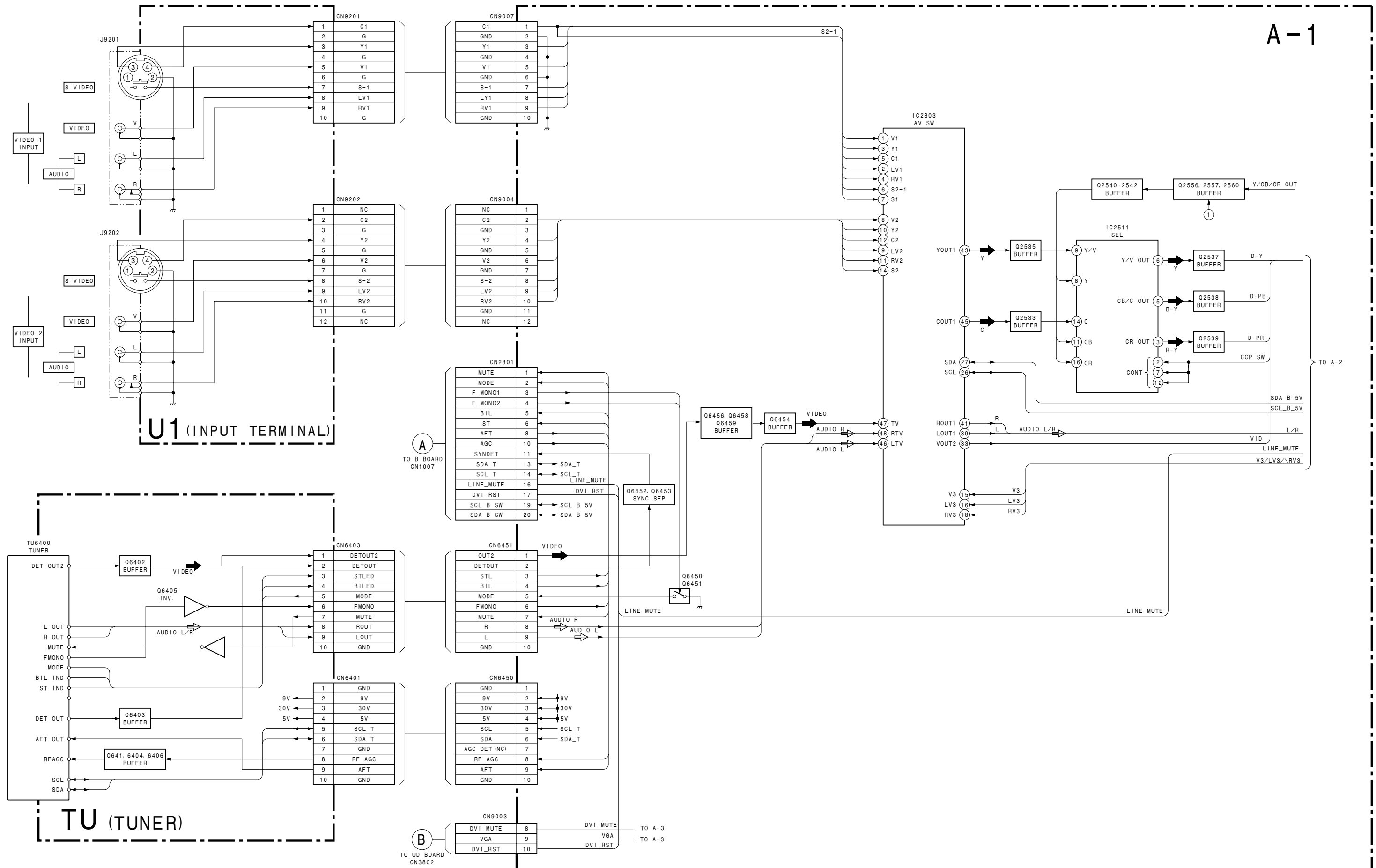
Setting of Color Temperature "Warm"

Item	Formula 23
R_DRIVE	Adjusted value of Color Temperature "Cool" x 1.033
G_DRIVE	Adjusted value of Color Temperature "Cool"
B_DRIVE	Adjusted value of Color Temperature "Cool" x 0.816
R_BKG	Adjusted value of Color Temperature "Cool" x 1.004
G_BKG	Adjusted value of Color Temperature "Cool"
B_BKG	Adjusted value of Color Temperature "Cool" x 1.081

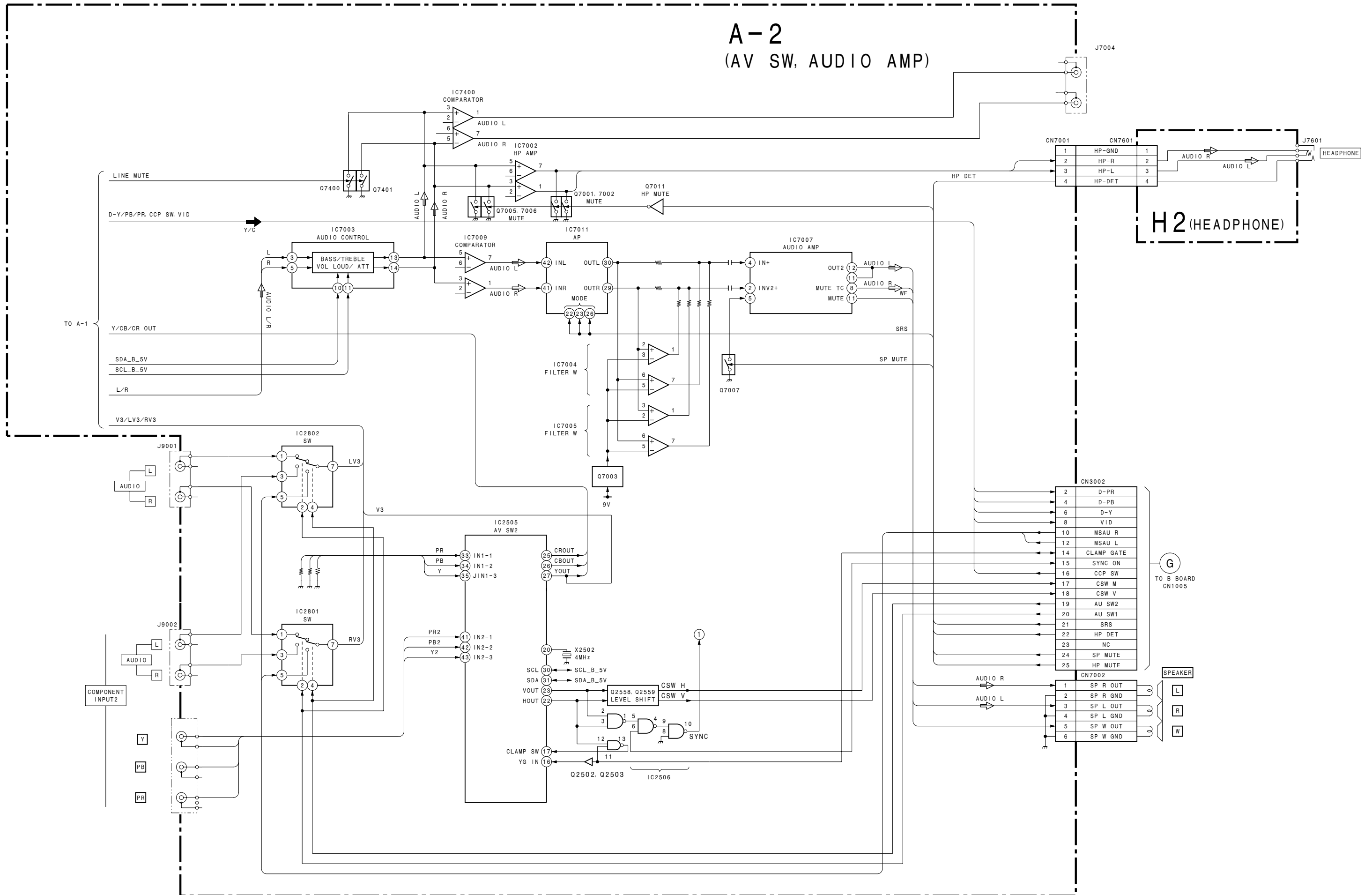
- Perform the Color Save.
- After the adjustment, reset unsaved items (not included the Color Save) to initial value.

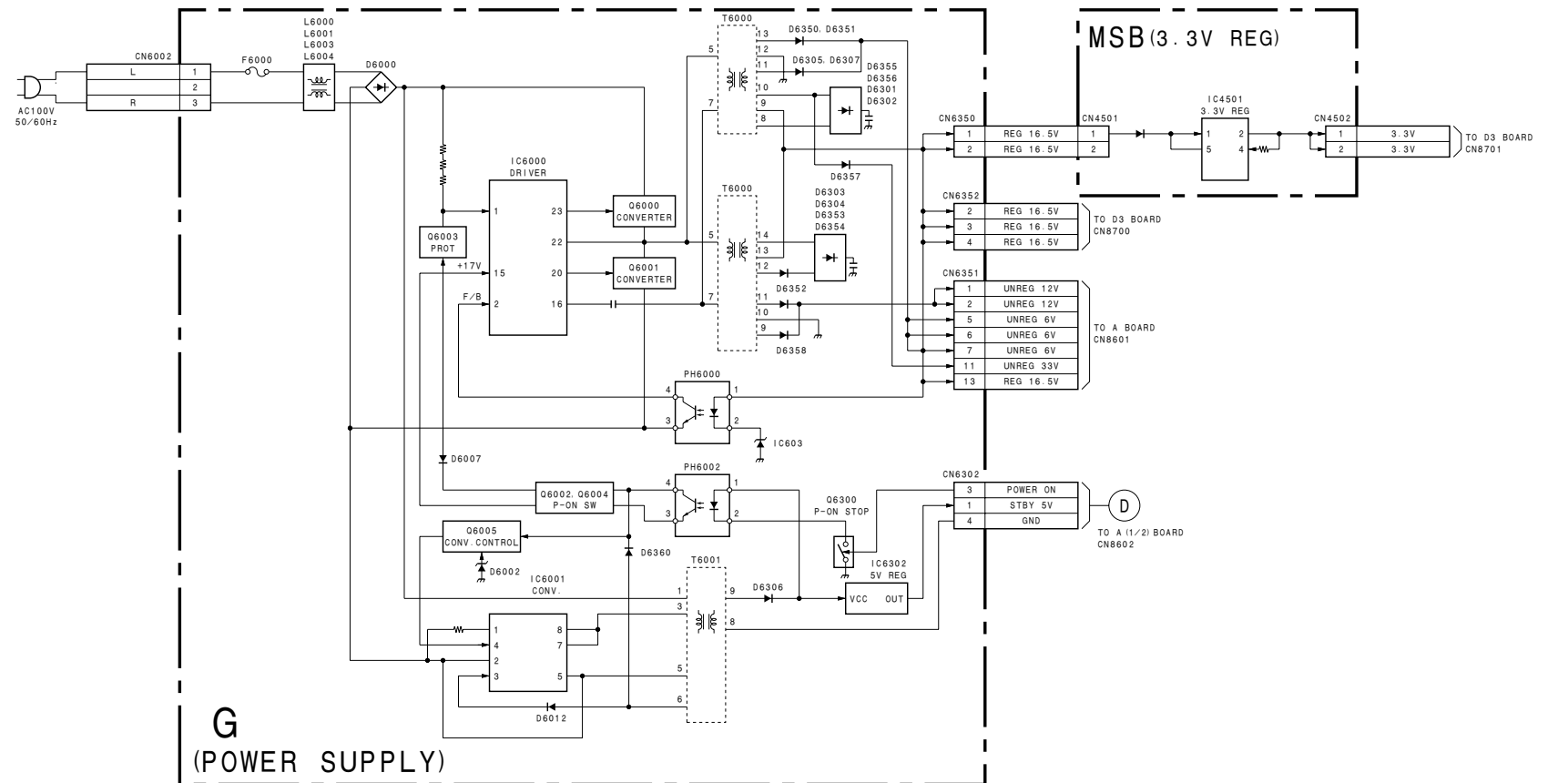
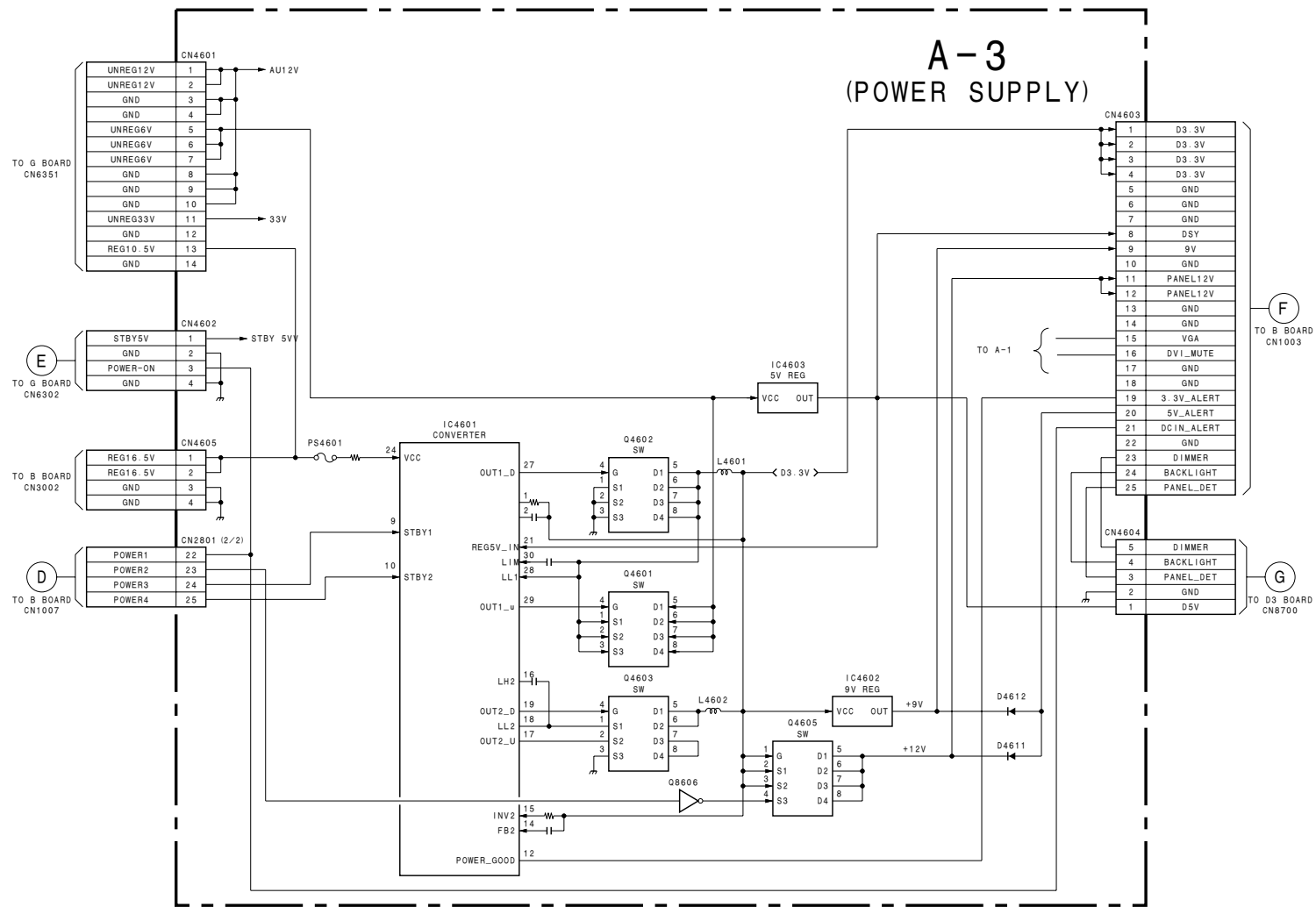
3. DIAGRAMS

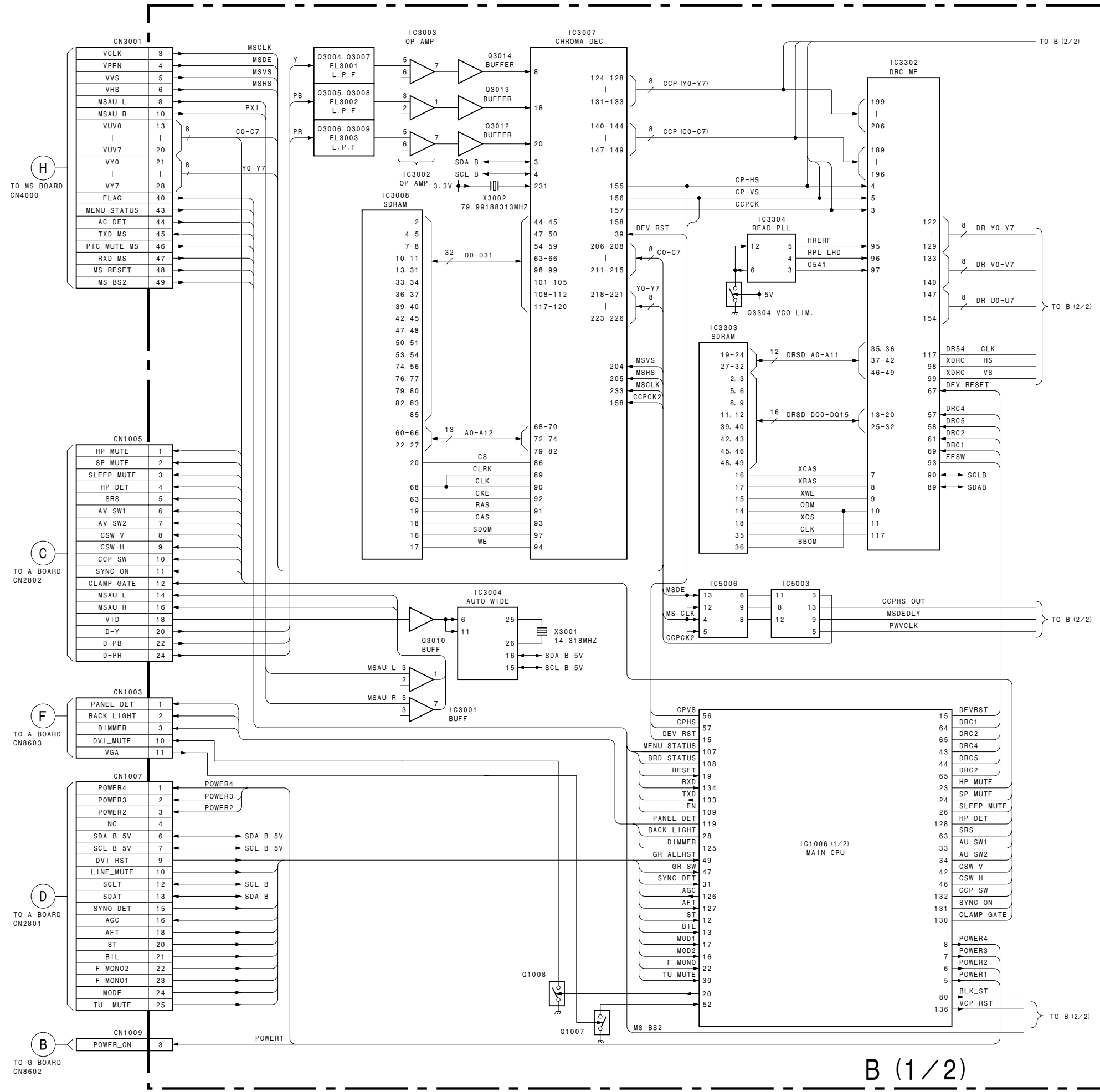
3-1. BLOCK DIAGRMS



A-2 (AV SW, AUDIO AMP)

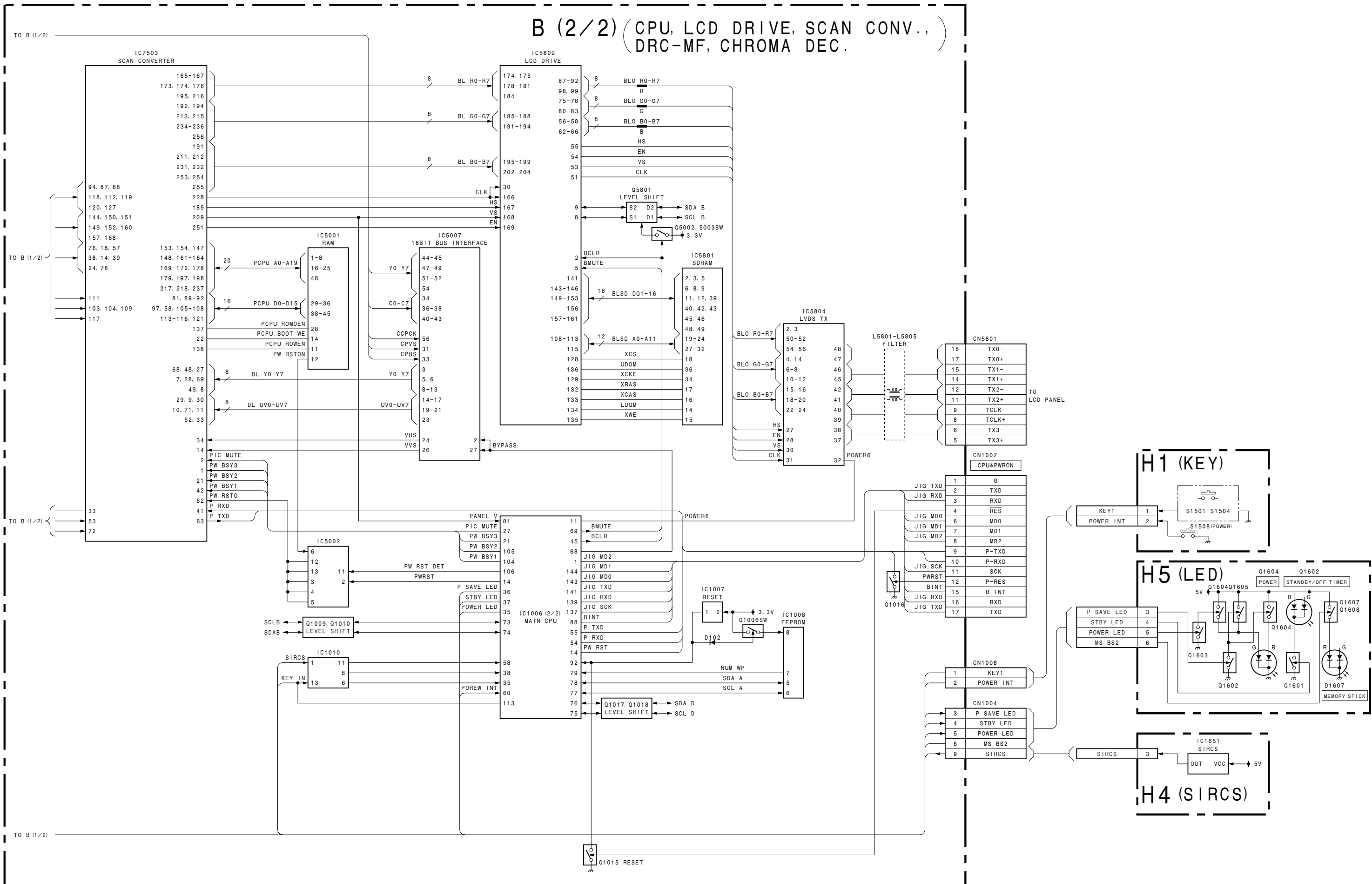




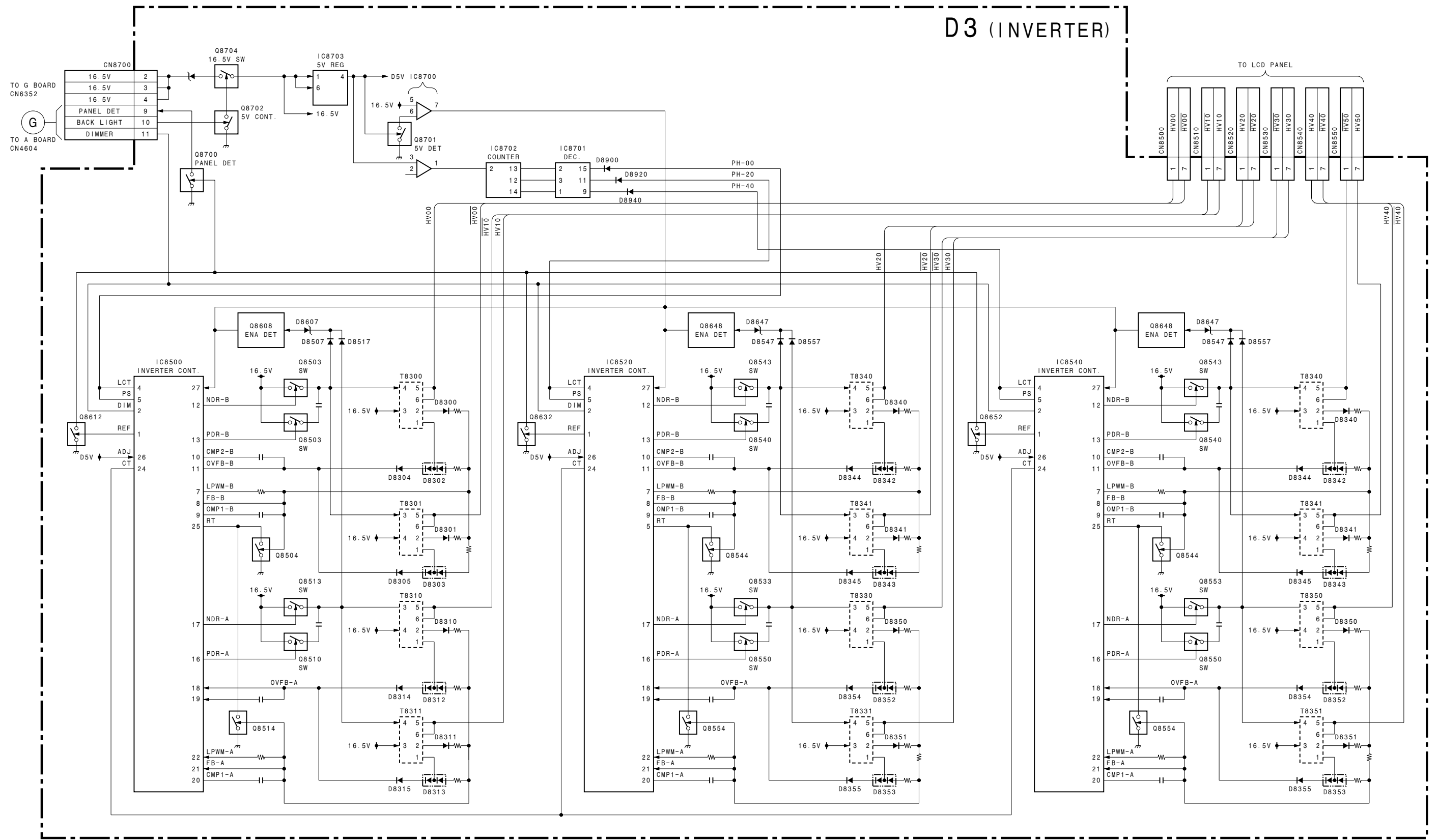


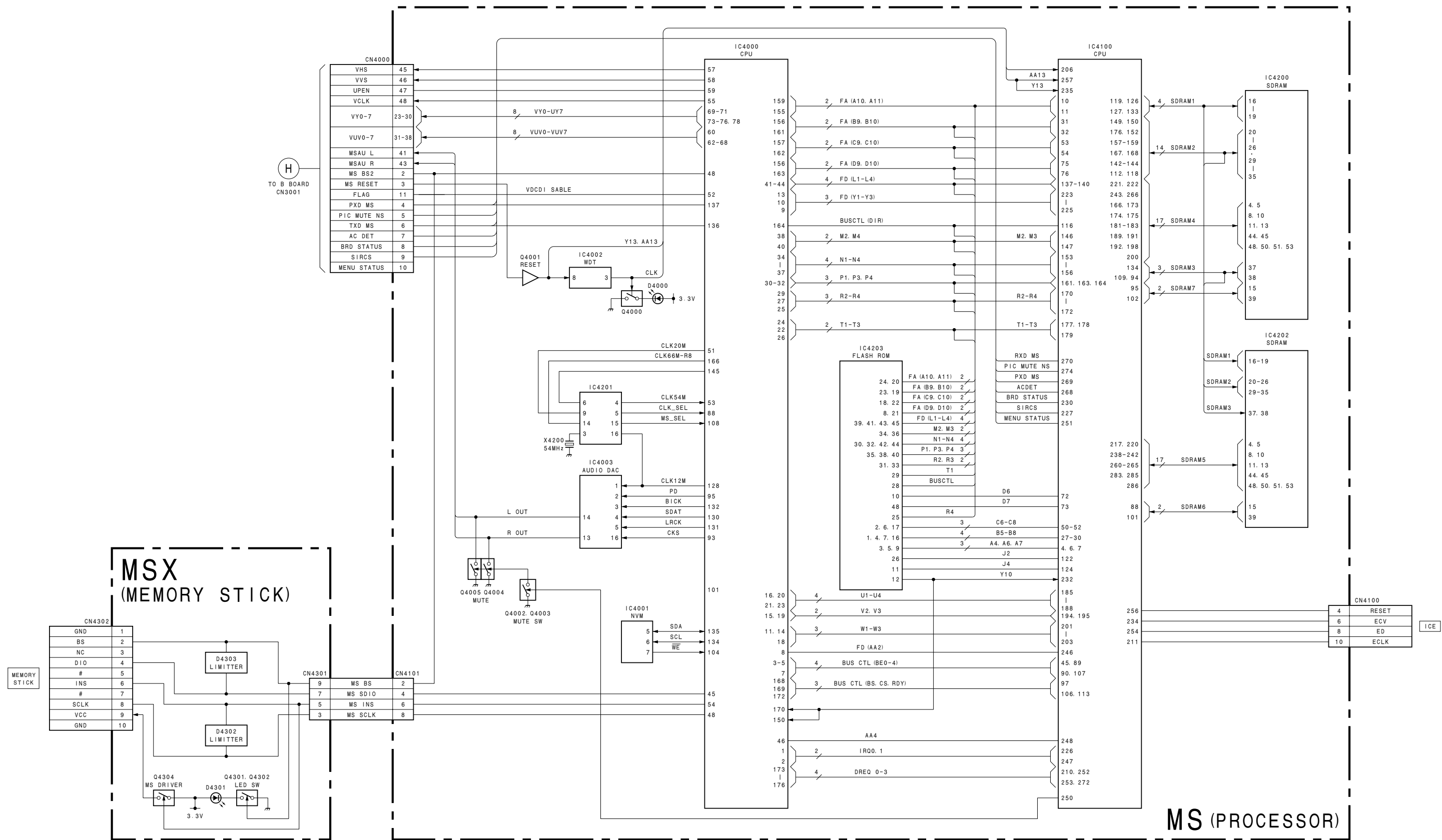
B (1/2)

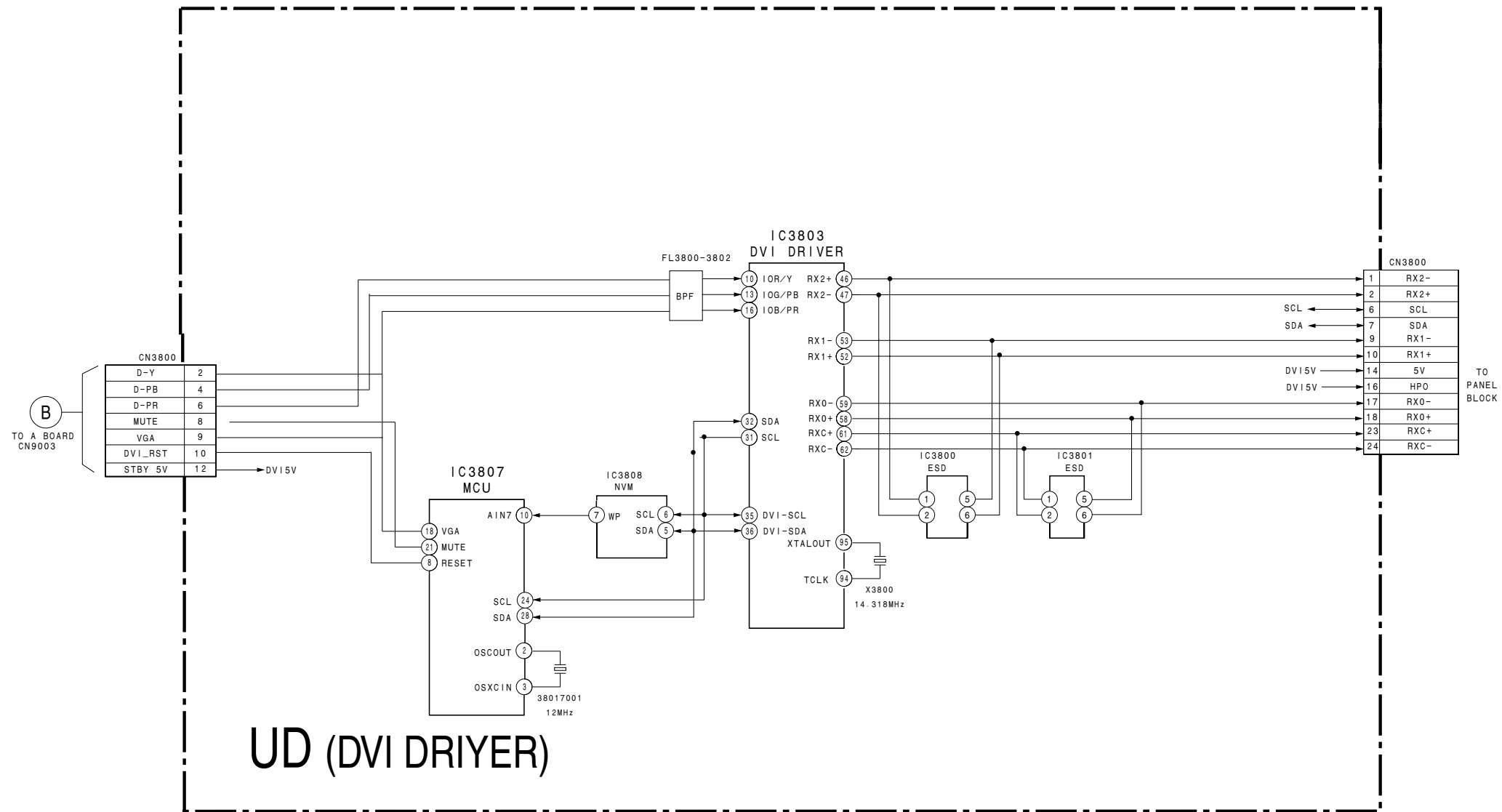
B (2/2) (CPU, LCD DRIVE, SCAN CONV., DRC-MF, CHROMA DEC.)



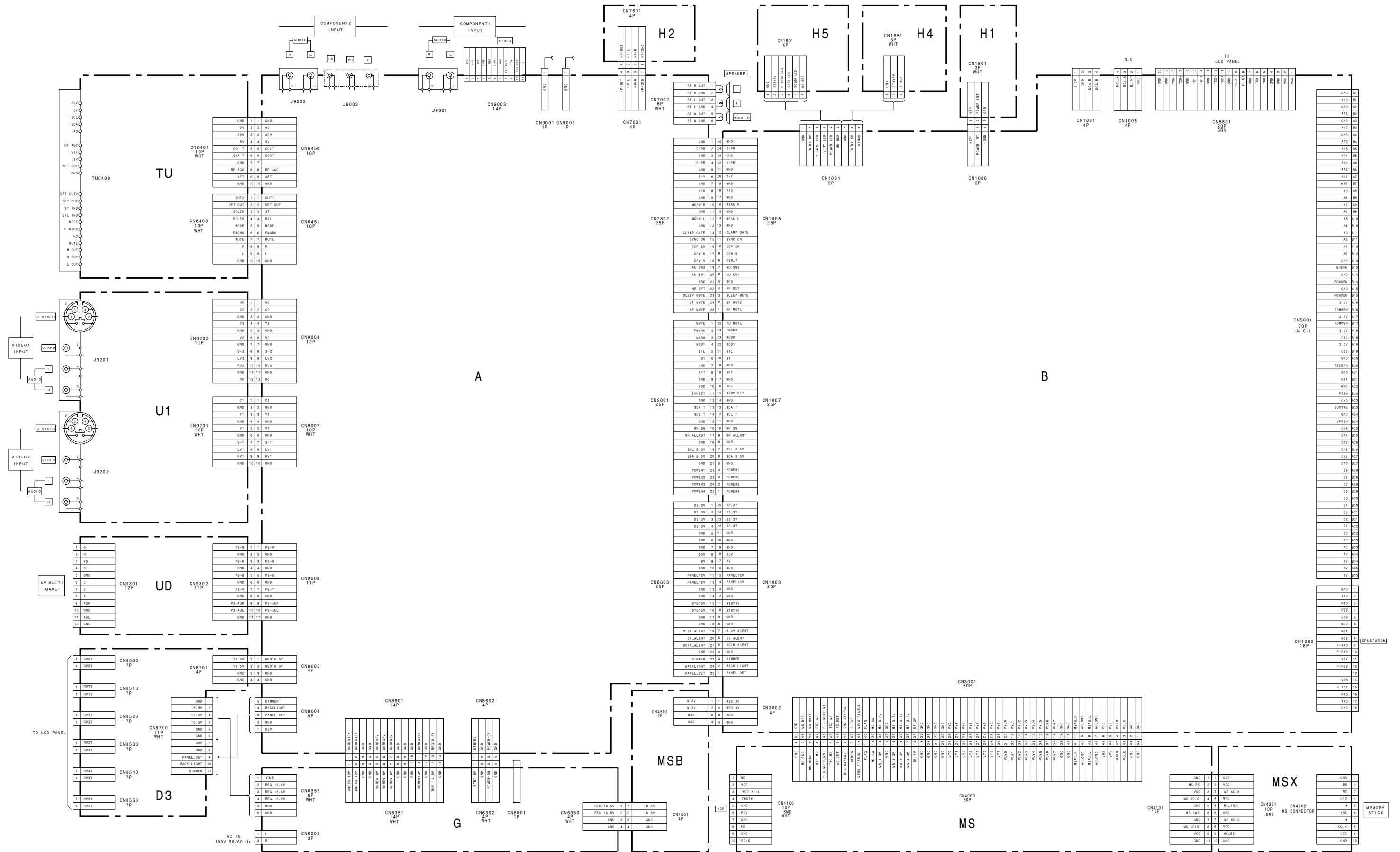
D3 (INVERTER)



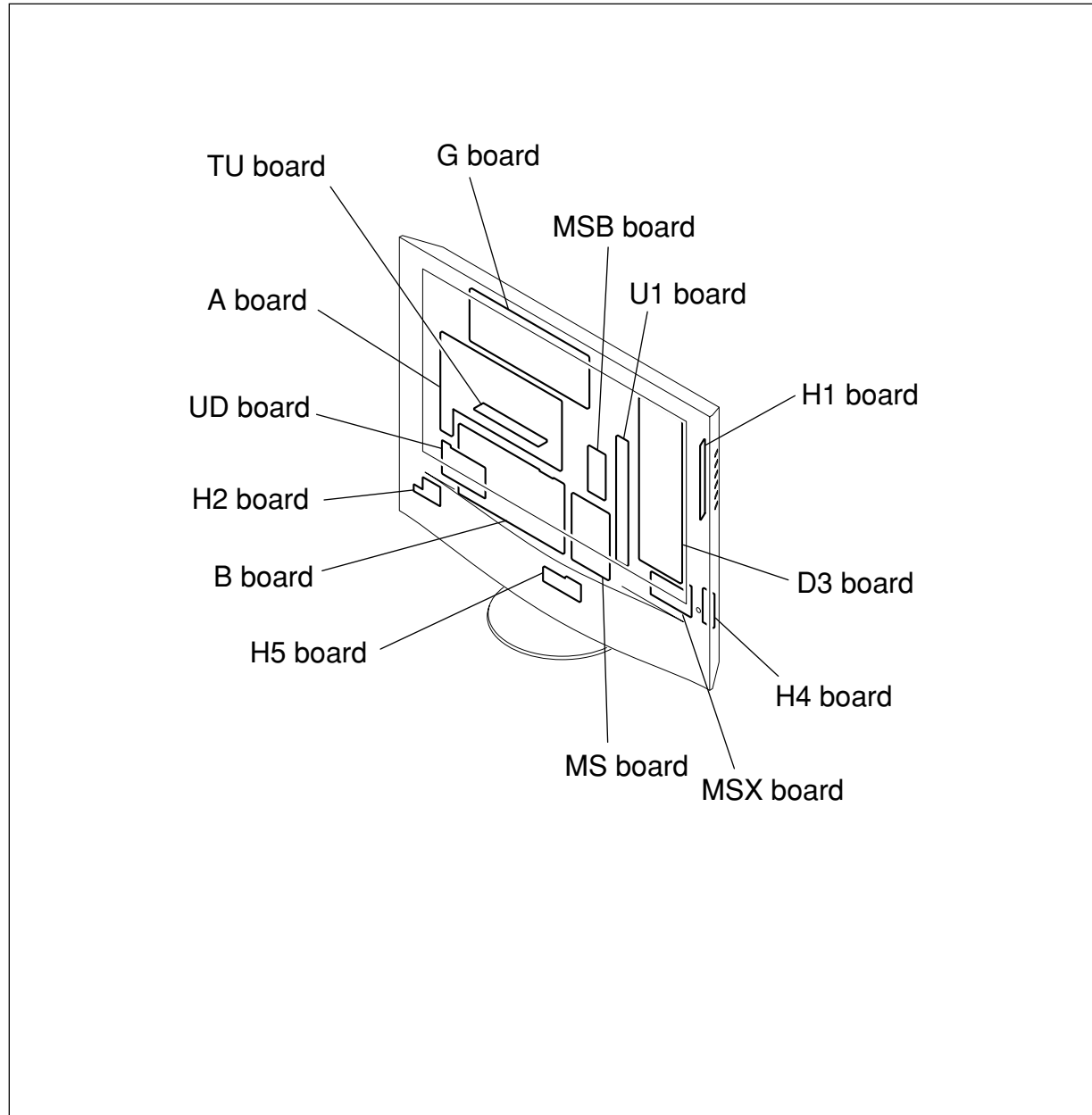




3-2. FRAME DIAGRAM



3-3. CIRCUIT BOARDS LOCATION



3-4. SCHEMATIC DIAGRAMS AND PRINTED WIRING BOARDS

Note:

- All capacitors are in μF unless otherwise noted. (pF : μpF)
Capacitors without voltage indication are all 50 V.
- Indication of resistance, which does not have one for rating electrical power, is as follows.

Pitch: 5 mm

Rating electrical power 1/4 W (CHIP : 1/10 W)

- All resistors are in ohms.
- : nonflammable resistor.
- : fusible resistor.
- Δ : internal component.
- : panel designation, and adjustment for repair.
- All variable and adjustable resistors have characteristic curve B, unless otherwise noted.
- \perp : earth-ground.
- : earth-chassis.
- When replacing the part in below table, be sure to perform the related adjustment.
- All voltages are in V.
- Readings are taken with a 10 M digital multimeter.
- Readings are taken with a color-bar signal input.
- Voltage variations may be noted due to normal production tolerances.
- * : Can not be measured.
- **Circled numbers are waveform references.**
- : B + bus.
- : B - bus.
- : Signal path.

Note: The components identified by shading and mark Δ are critical for safety. Replace only with part number specified.

Note: Les composants identifiés par un tramé et une marque Δ sont critiques pour la sécurité. Ne les remplacer que par une pièce portant le numéro spécifié.

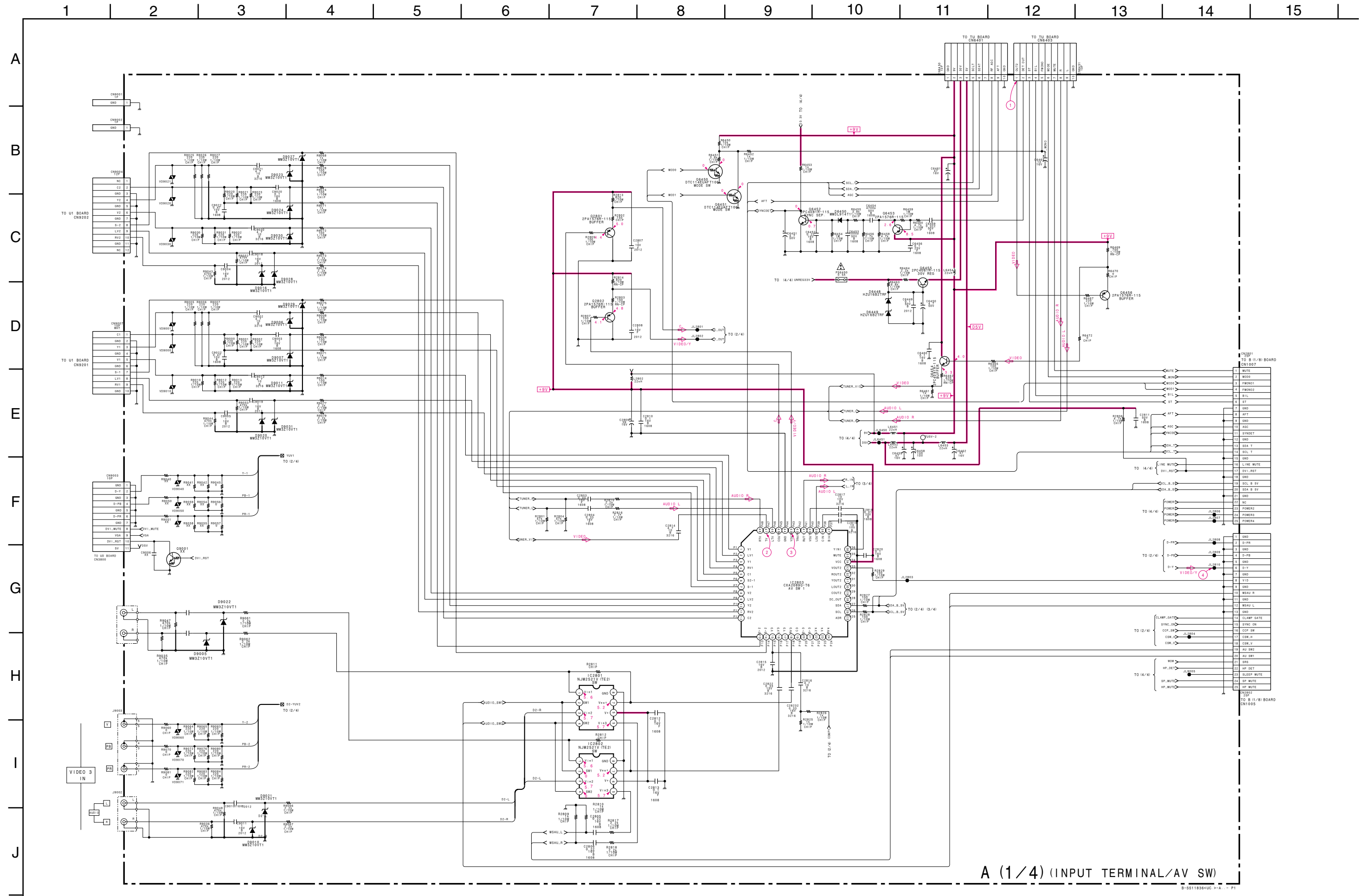
Terminal name of semiconductors in silk screen printed circuit (*):

①	Device	Printed symbol	Terminal name	Circuit
①	Transistor		Collector Base Emitter	
②	Transistor		Collector Base Emitter	
③	Diode		Cathode Anode	
④	Diode		Cathode Anode (NC)	
⑤	Diode		Cathode Anode (NC)	
⑥	Diode		Common Anode Cathode	
⑦	Diode		Common Anode Cathode	
⑧	Diode		Common Anode Anode	
⑨	Diode		Common Anode Anode	
⑩	Diode		Common Cathode Cathode	
⑪	Diode		Common Cathode Cathode	
⑫	Diode		Anode Anode Cathode Anode	
⑬	Transistor (FET)		Drain Source Gate	
⑭	Transistor (FET)		Drain Source Gate	
⑮	Transistor (FET)		Source Drain Gate	
⑯	Transistor		Emitter Collector Base	
⑰	Transistor		C2/B1/E1 E2/B2/C1	
⑱	Transistor		C1/B2/E2 E1/B1/C2	
⑲	Transistor		C1 B2 E2 E1 B1 C2	
⑳	Transistor		C1 B2 E2 E1 B1 C2	
㉑	Transistor		E2 B1 E1 C2 C1(B2)	
㉒	Transistor		(B2) B1 E1 E2 C1 C2	
㉓	Transistor		(B2) E2 E1 B1 C2 C1	
—	Discrete semiconductor			

(Chip semiconductors that are not actually used are included.)

Ver.1.6

(1) Schematic Diagrams of A Board

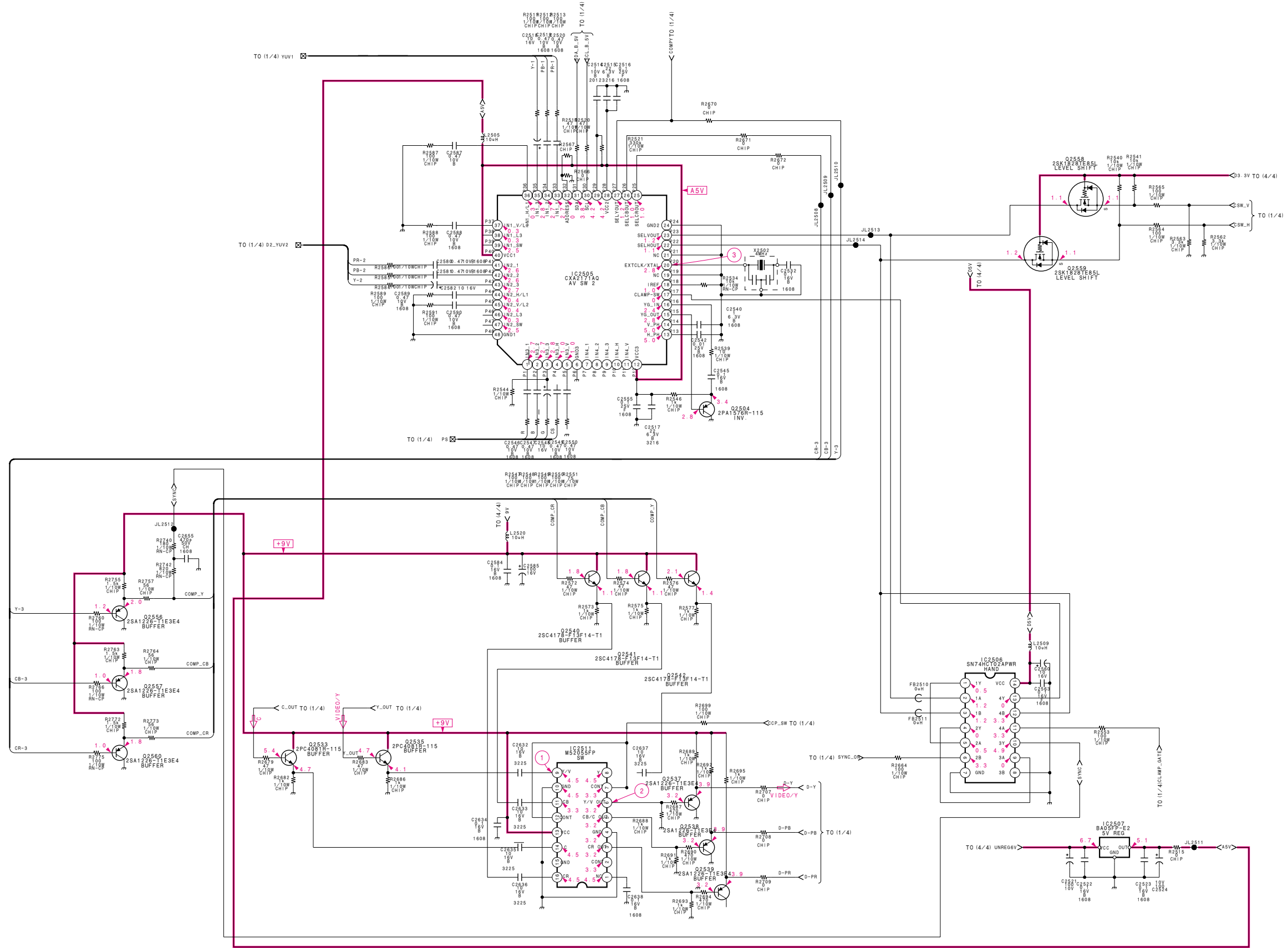


A (1/4) (INPUT TERMINAL/AV SW)

B-55118364UC-A - P1

1 2 3 4 5 6 7 8 9 10 11 12 13 14 15

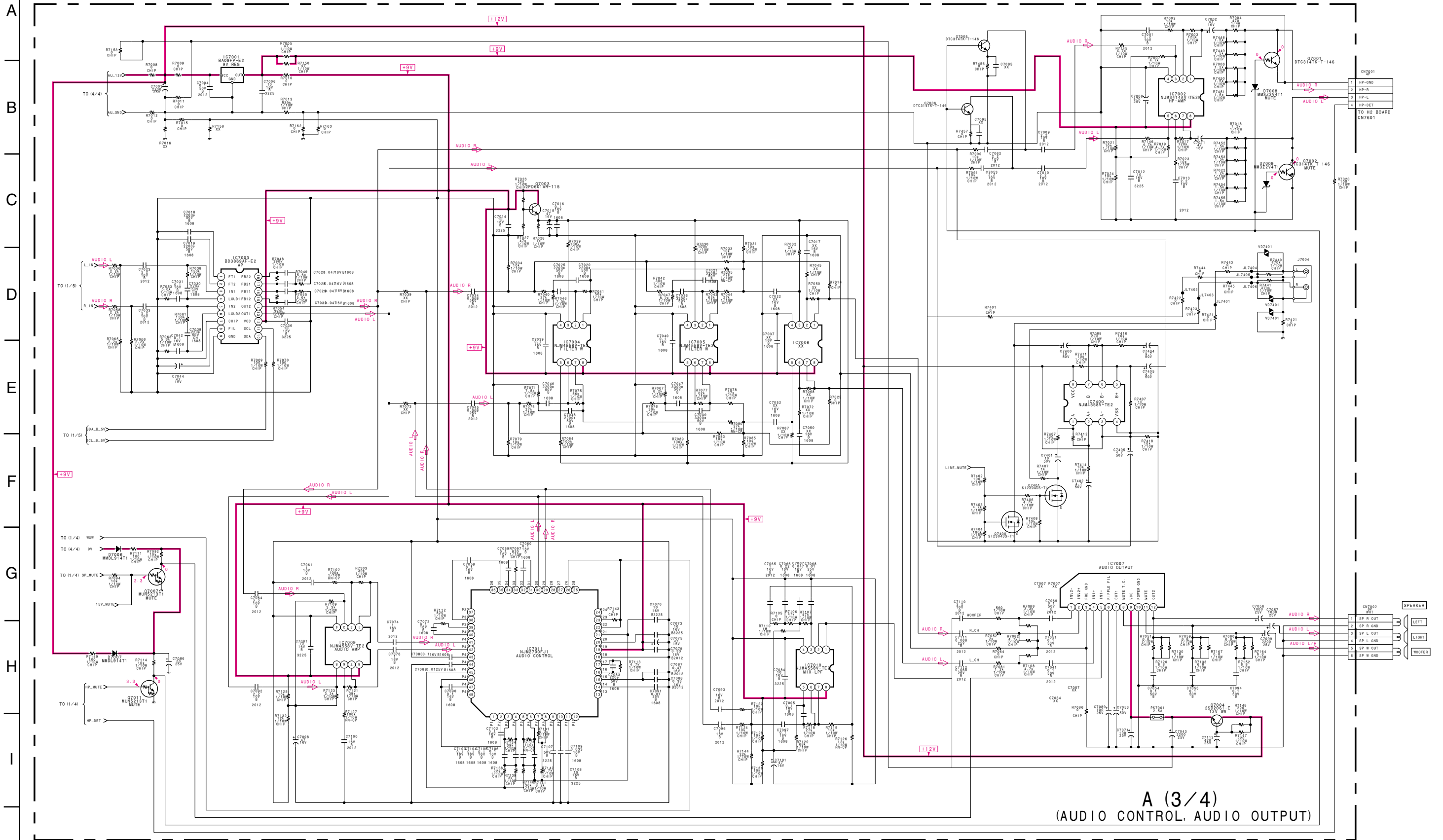
A
B
C
D
E
F
G
H
I
J



A (2/4) (AV SWITCH)

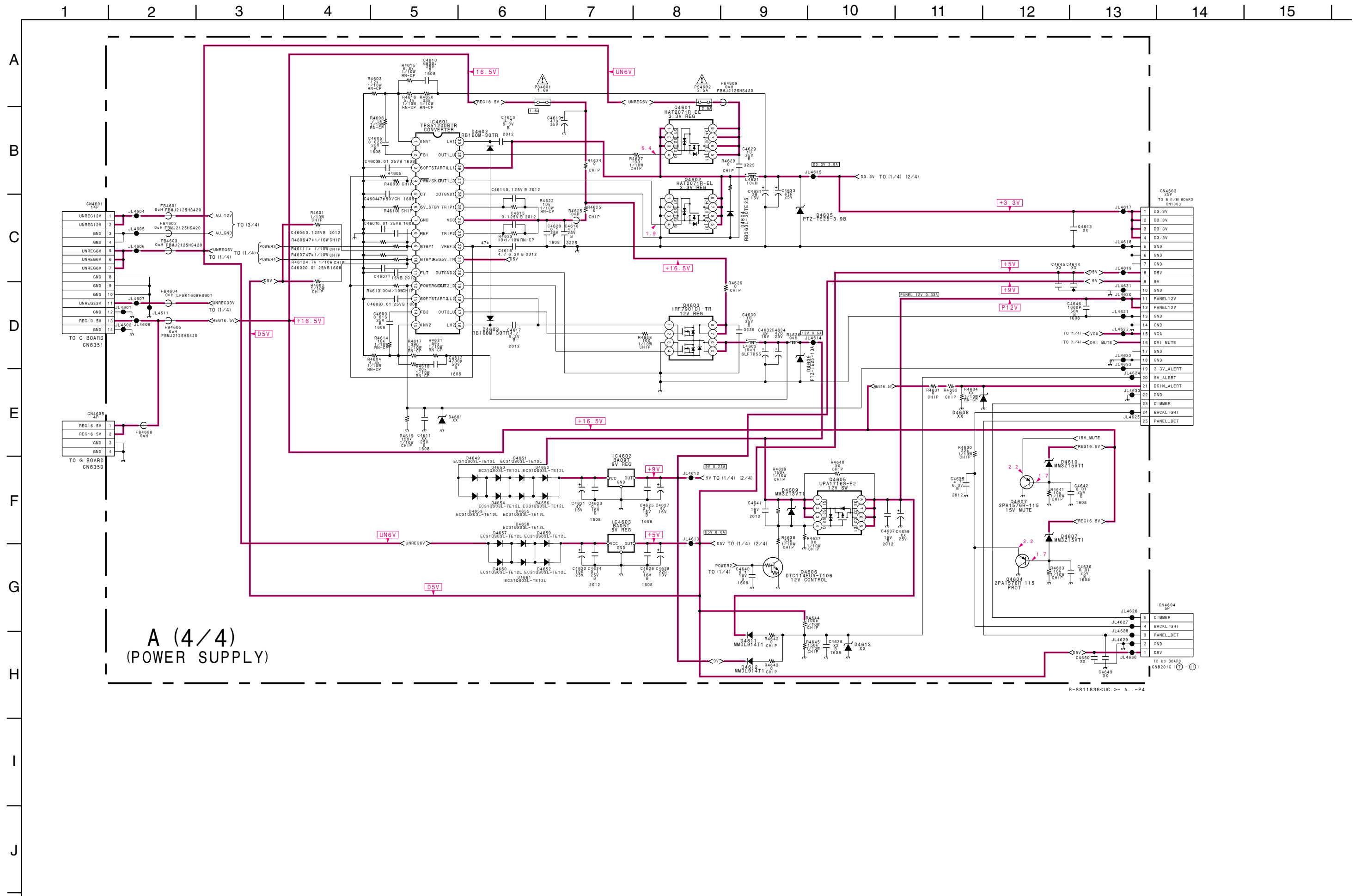
B-S511836UC -> A - P2

1 2 3 4 5 6 7 8 9 10 11 12 13 14 15



A (3/4)
(AUDIO CONTROL, AUDIO OUTPUT)

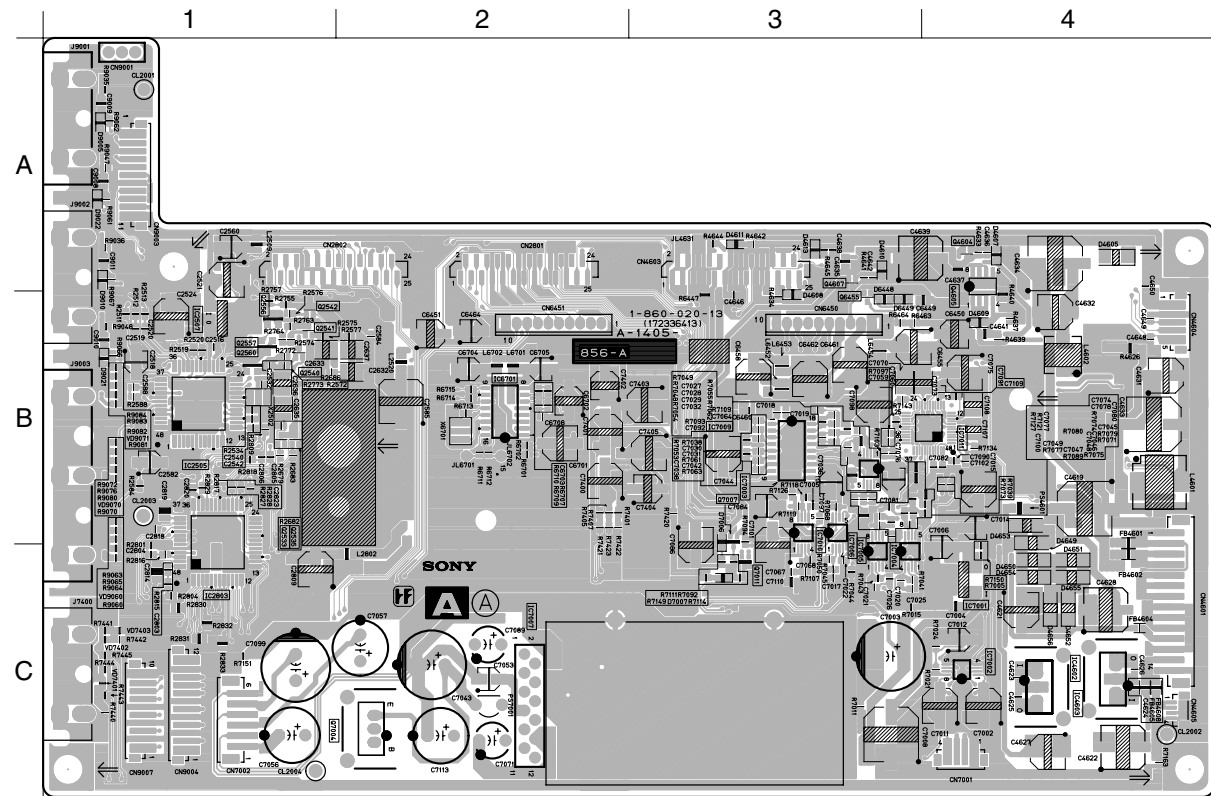
B-5511896-UC-7-A...-P4



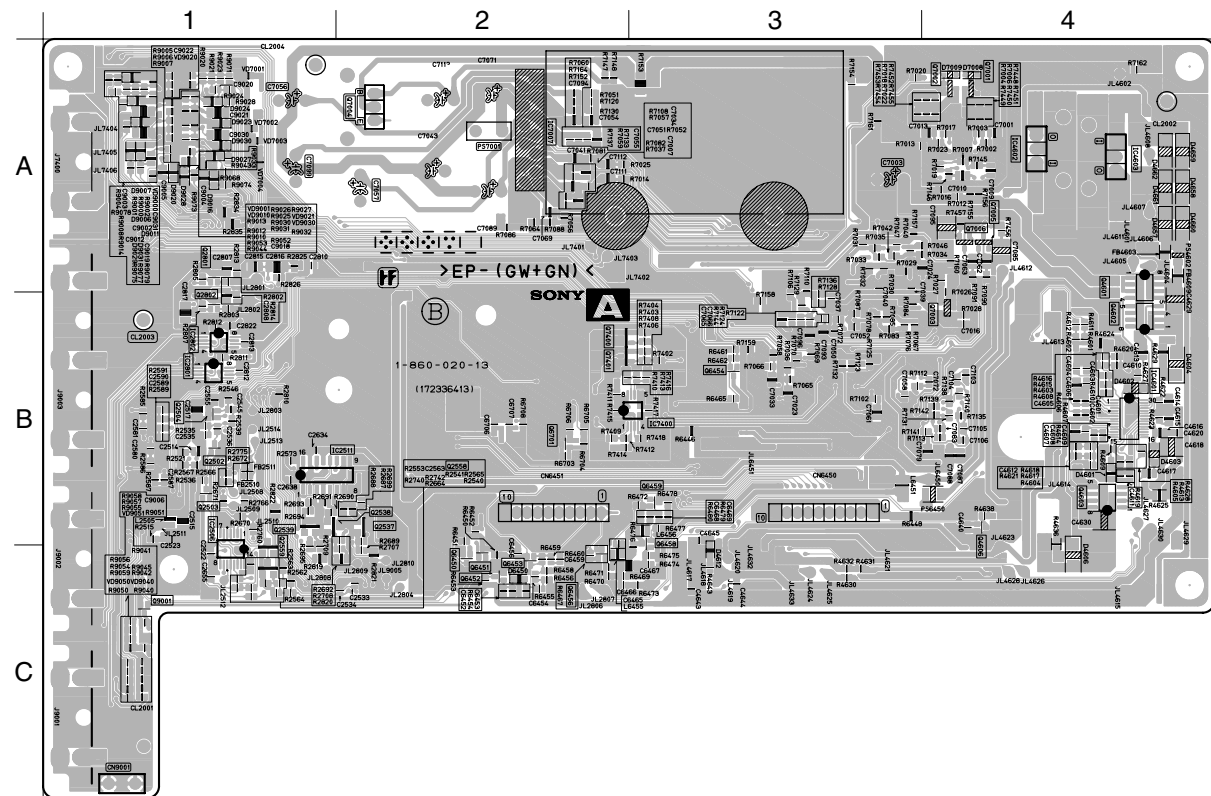
A (4/4)
(POWER SUPPLY)

A [INPUT TERMINAL, AV SW, AUDIO AMP, POWER]

— A BOARD —

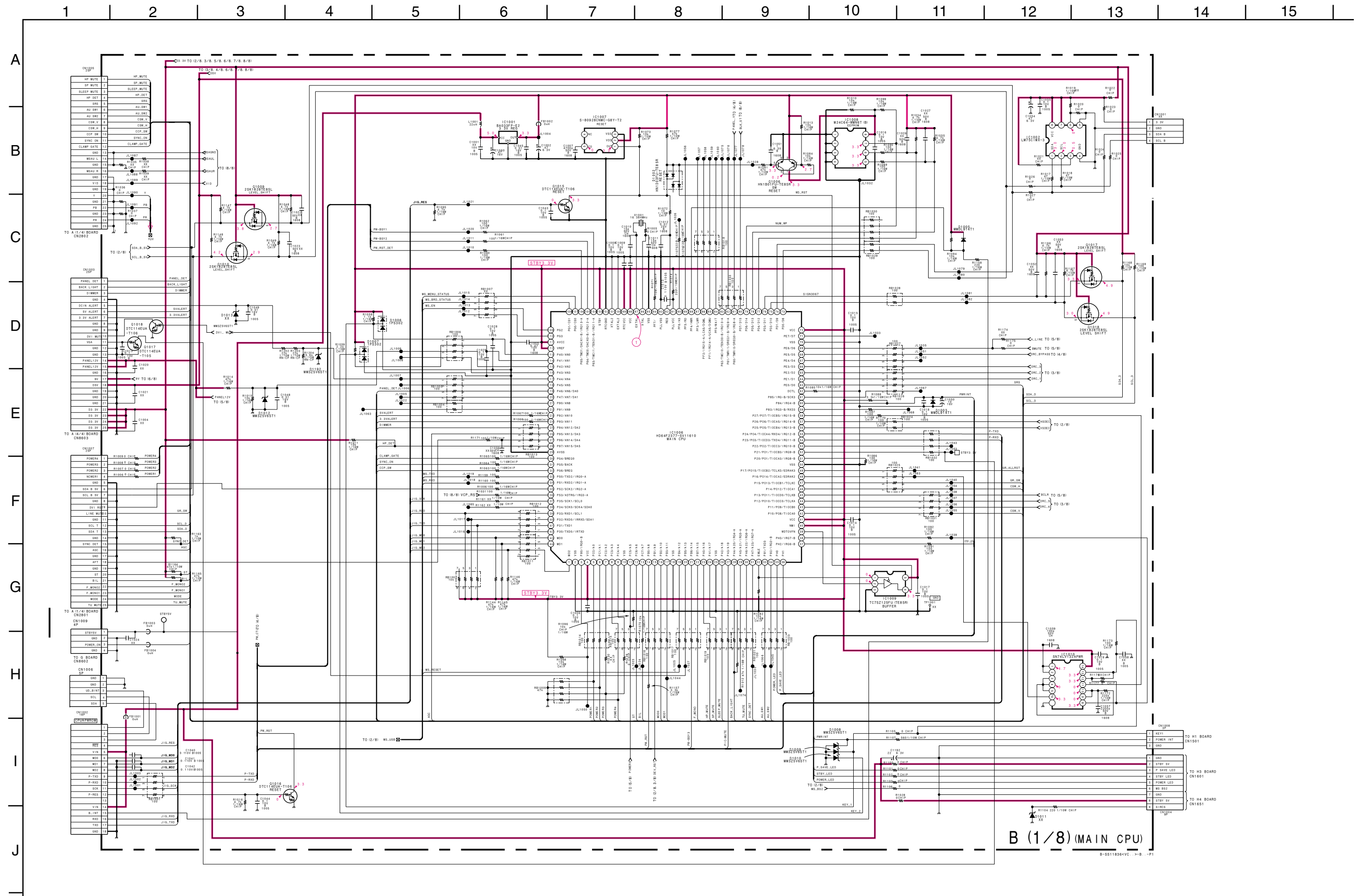


<COMPONENT SIDE>



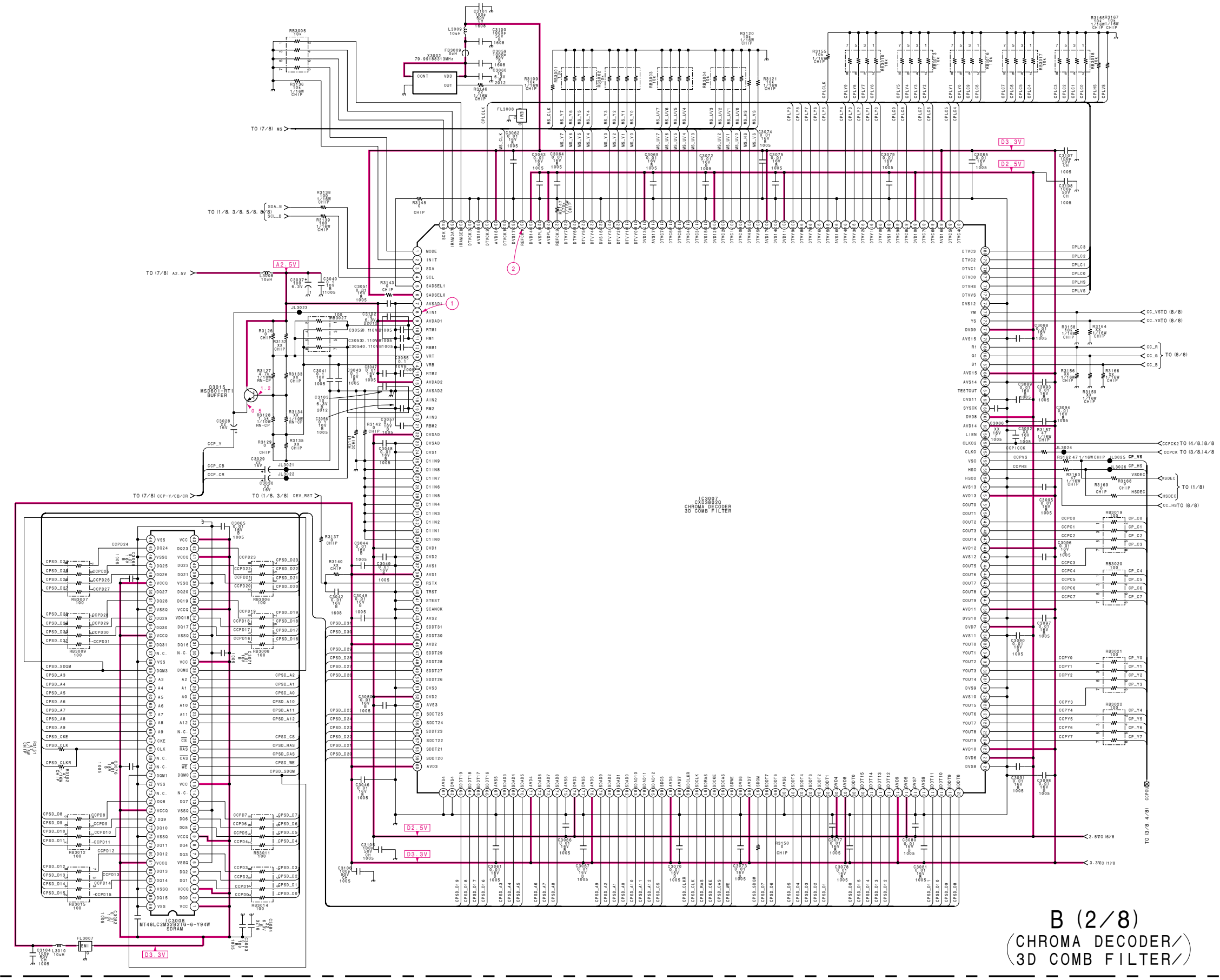
<CONDUCTOR SIDE>

(2) Schematic Diagrams of B Board



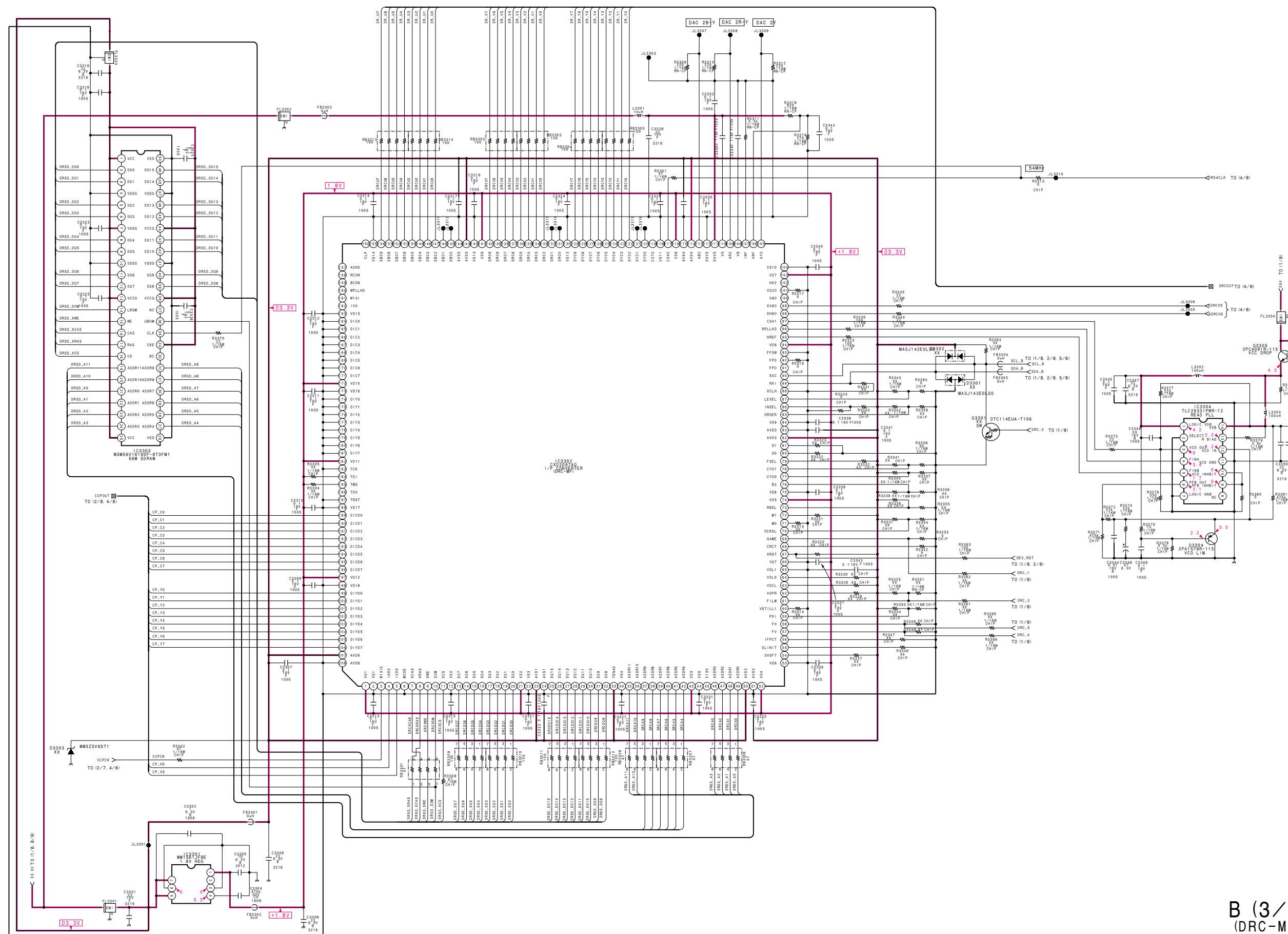
1 2 3 4 5 6 7 8 9 10 11 12 13 14 15

A
B
C
D
E
F
G
H
I
J

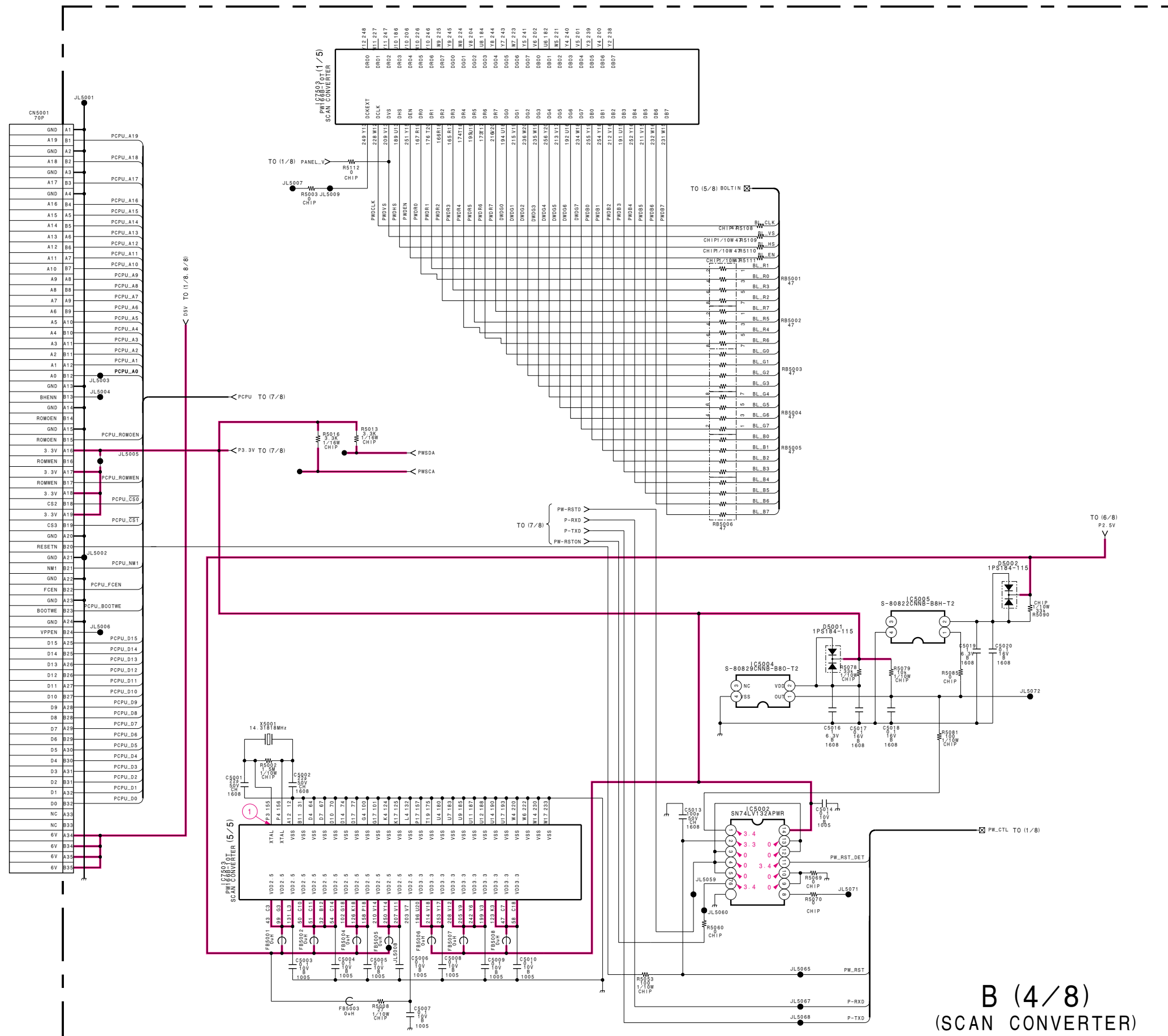


B (2/8)
(CHROMA DECODER/
3D COMB FILTER)

8-0511836CUC ->B -F2

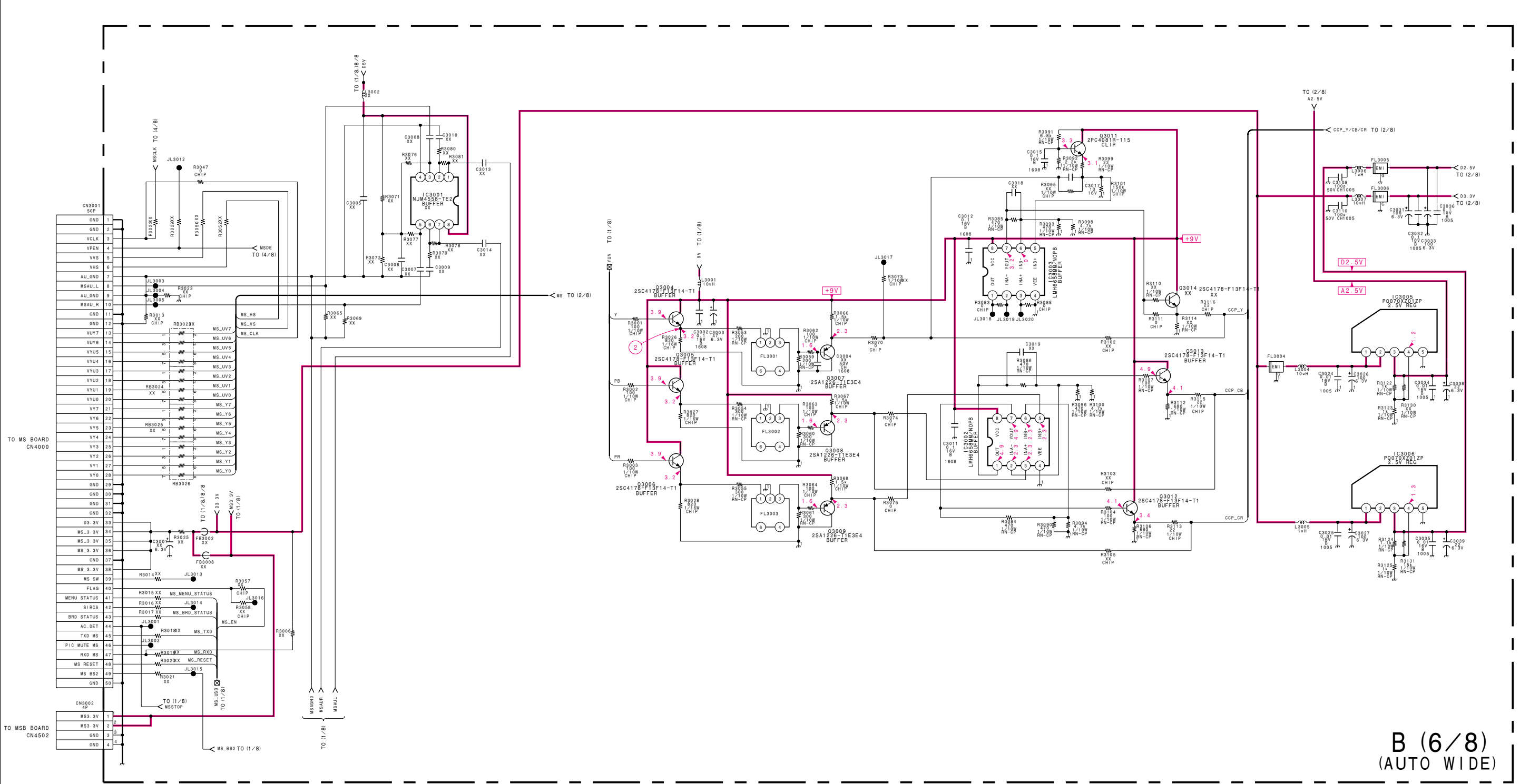


B (3/8)
(DRC-MF)



1 2 3 4 5 6 7 8 9 10 11 12 13 14 15

A
B
C
D
E
F
G
H
I
J



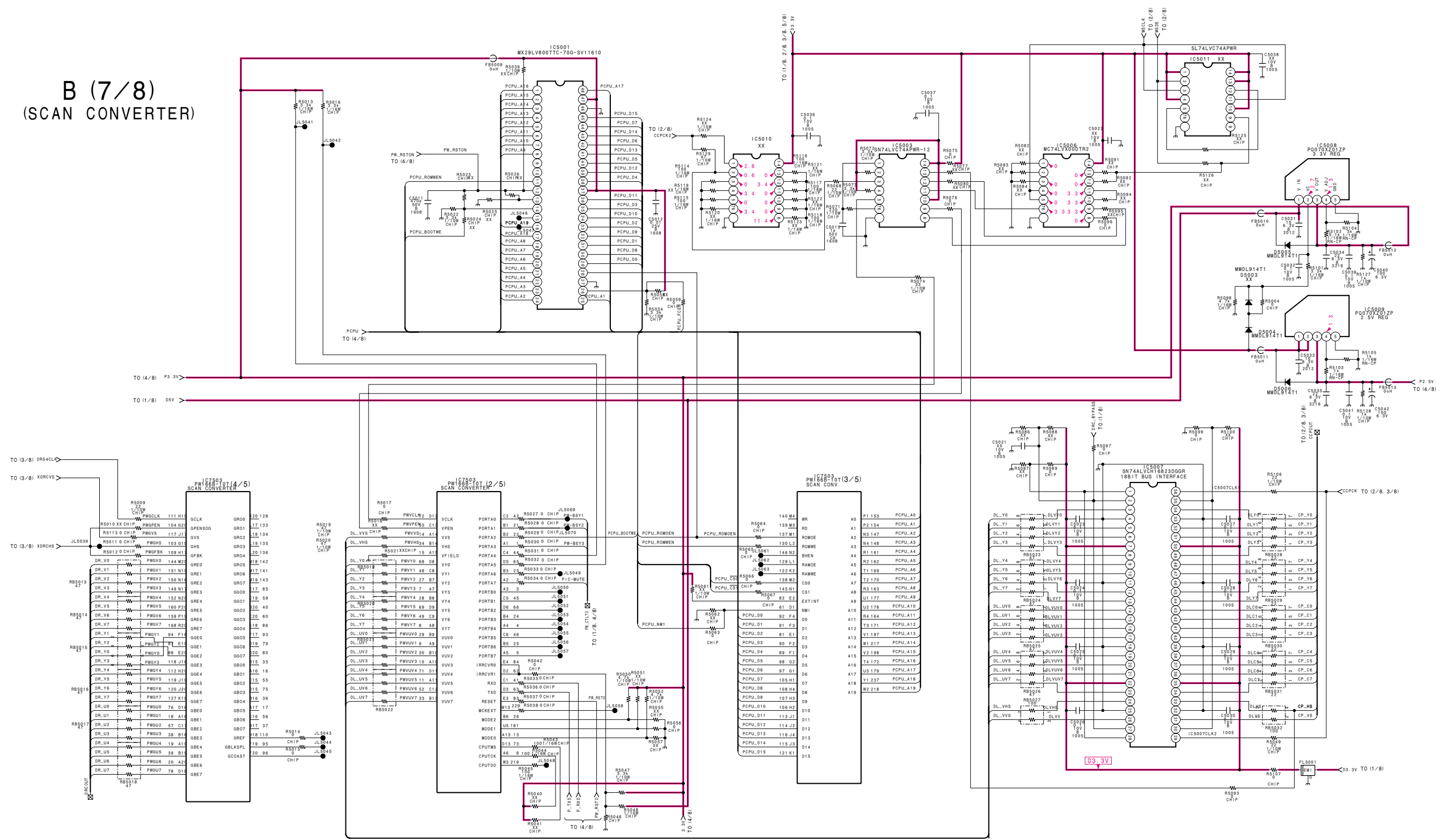
B (6/8)
(AUTO WIDE)

B-SS11836<UC...>-B...-P6

1 2 3 4 5 6 7 8 9 10 11 12 13 14 15

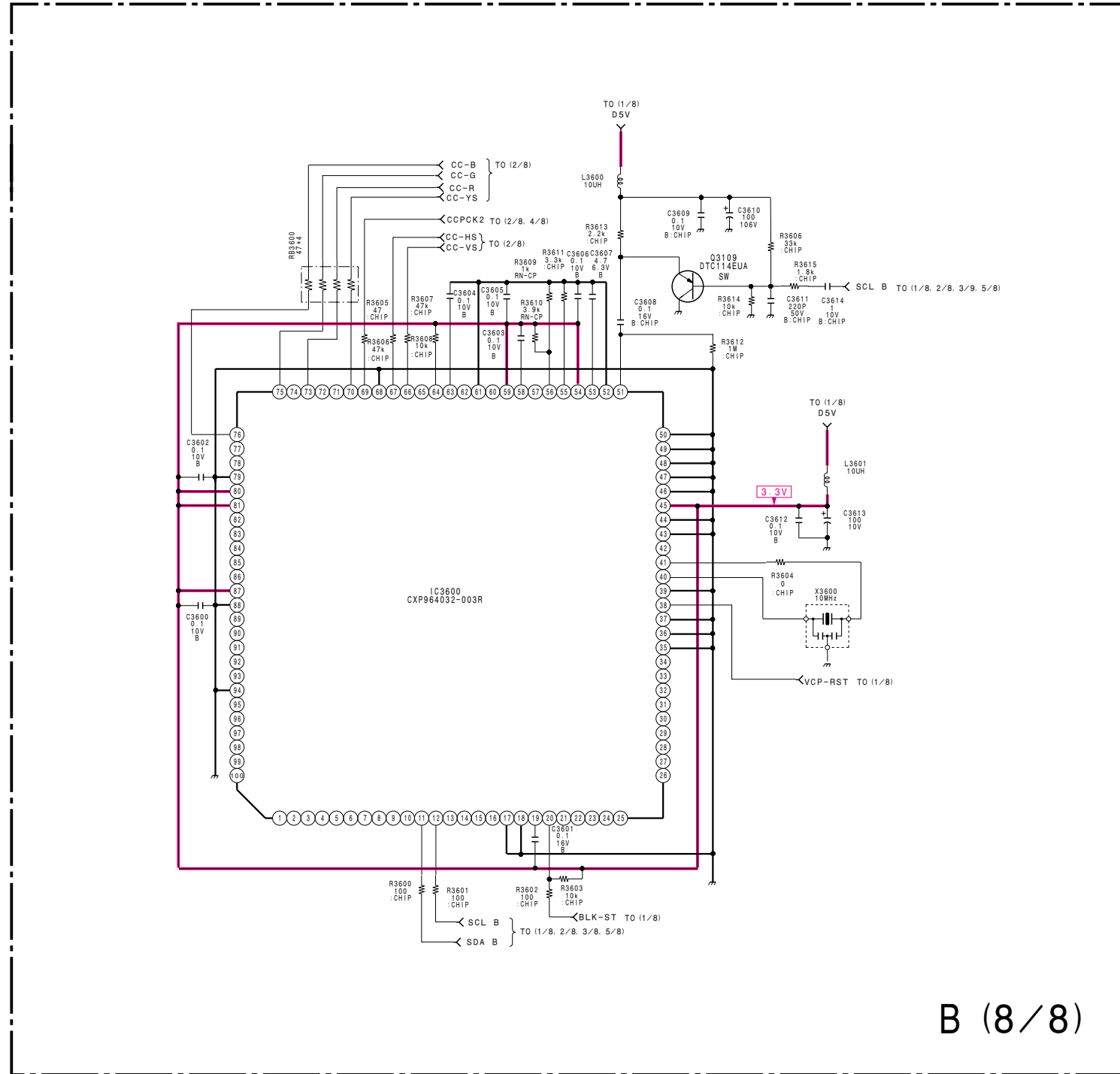
A
B
C
D
E
F
G
H
I
J

B (7/8) (SCAN CONVERTER)



1 2 3 4 5 6 7 8 9 10 11 12 13 14 15

A
B
C
D
E
F
G
H
I
J

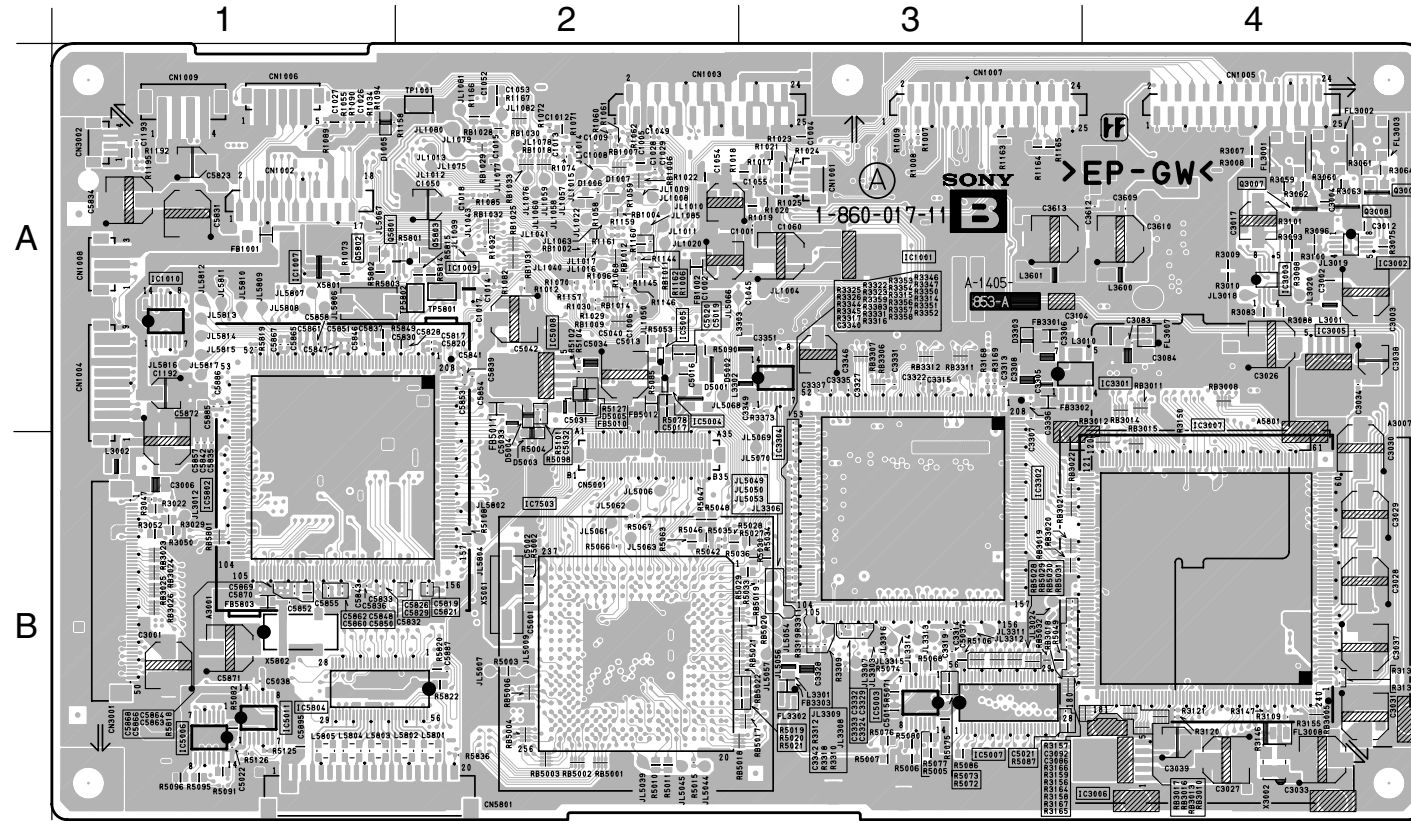


B-SS11837<UC.>-B.-P8

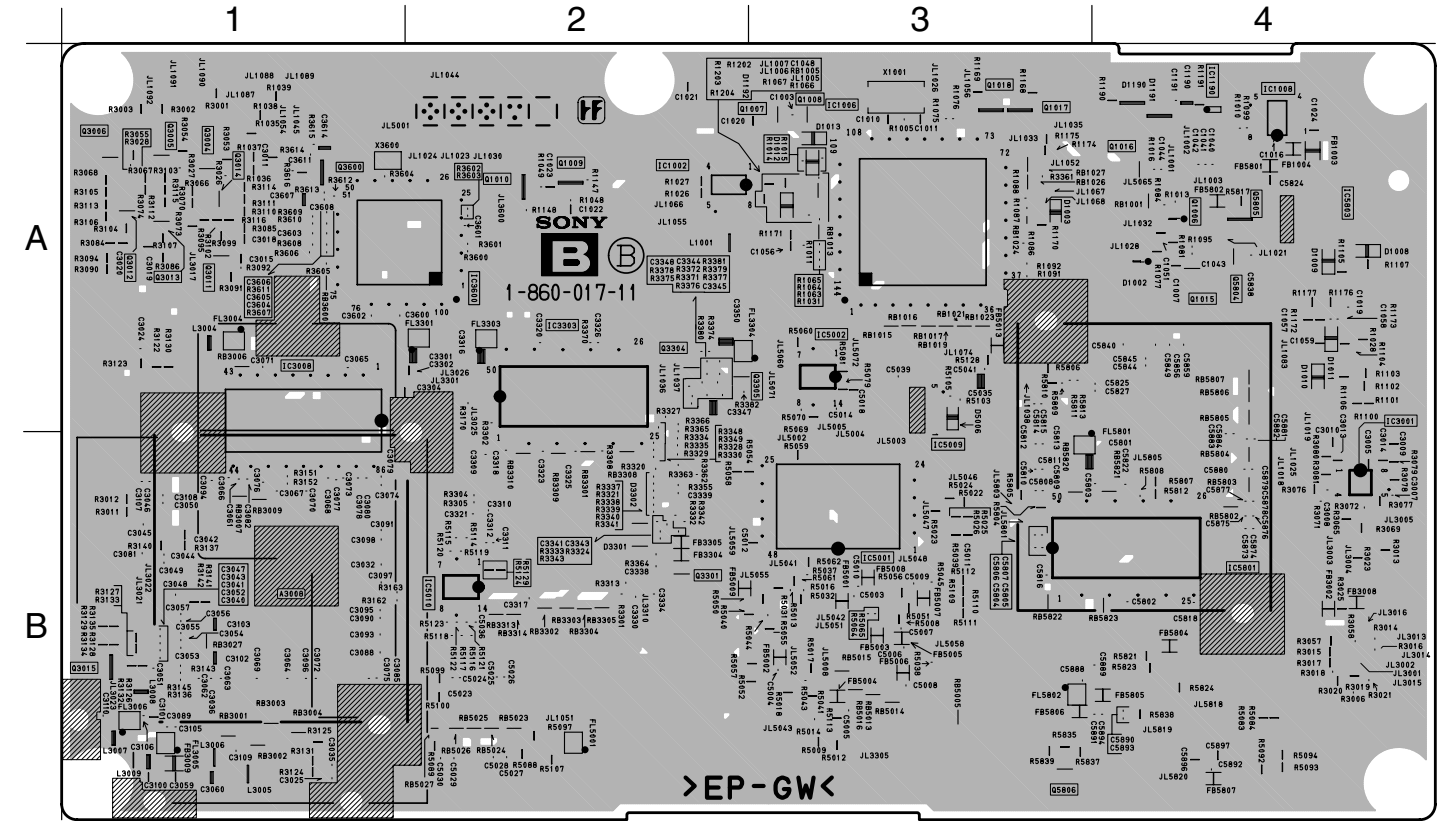
B

[MAIN CPU, CHROMA DEC., 3D COMB FILTER, DRC-MF, LCD DRIVE, SCAN CONV.]

— B BOARD —

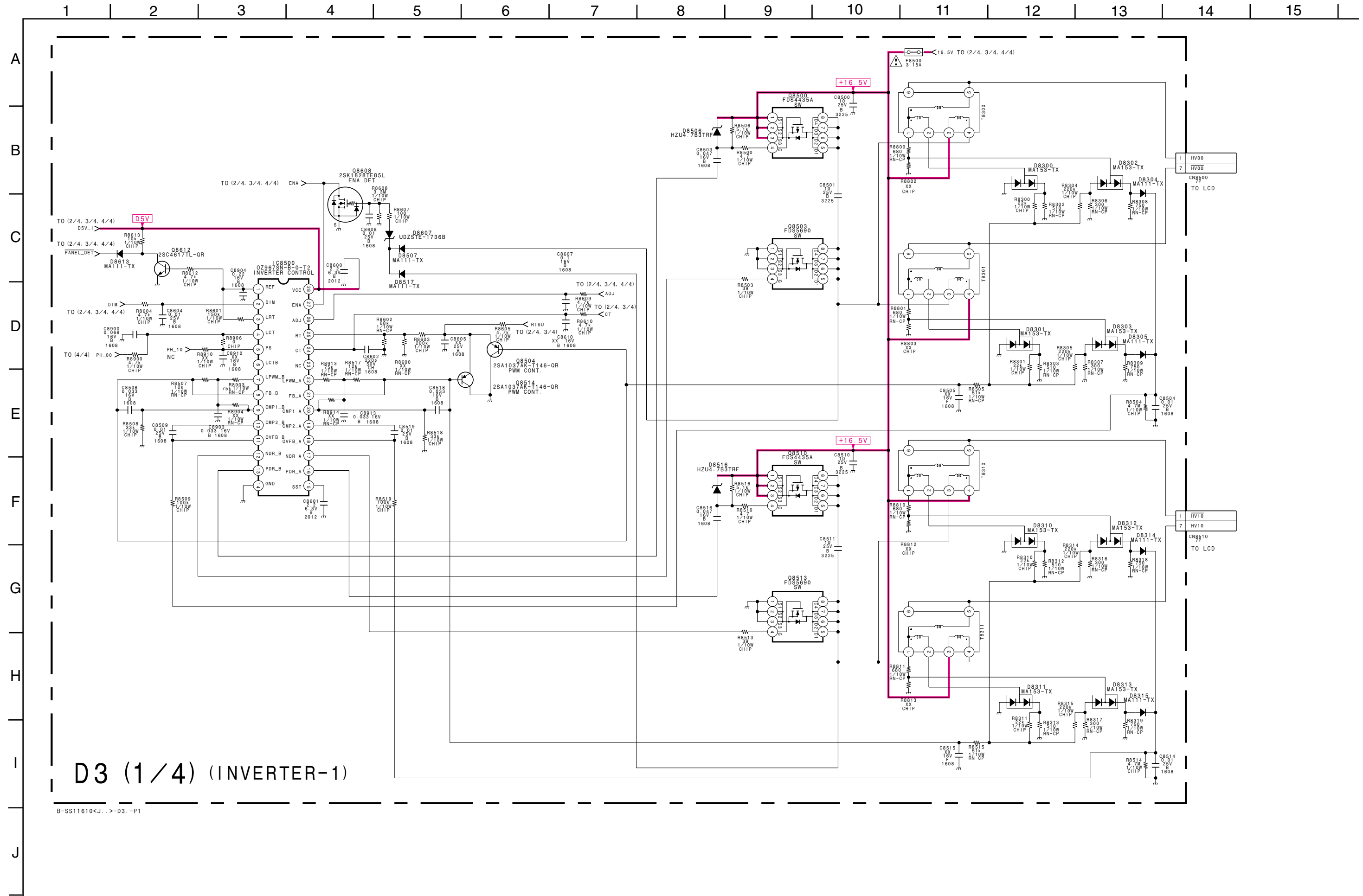


<COMPONENT SIDE>



<CONDUCTOR SIDE>

(3) Schematic Diagrams of D3 Board

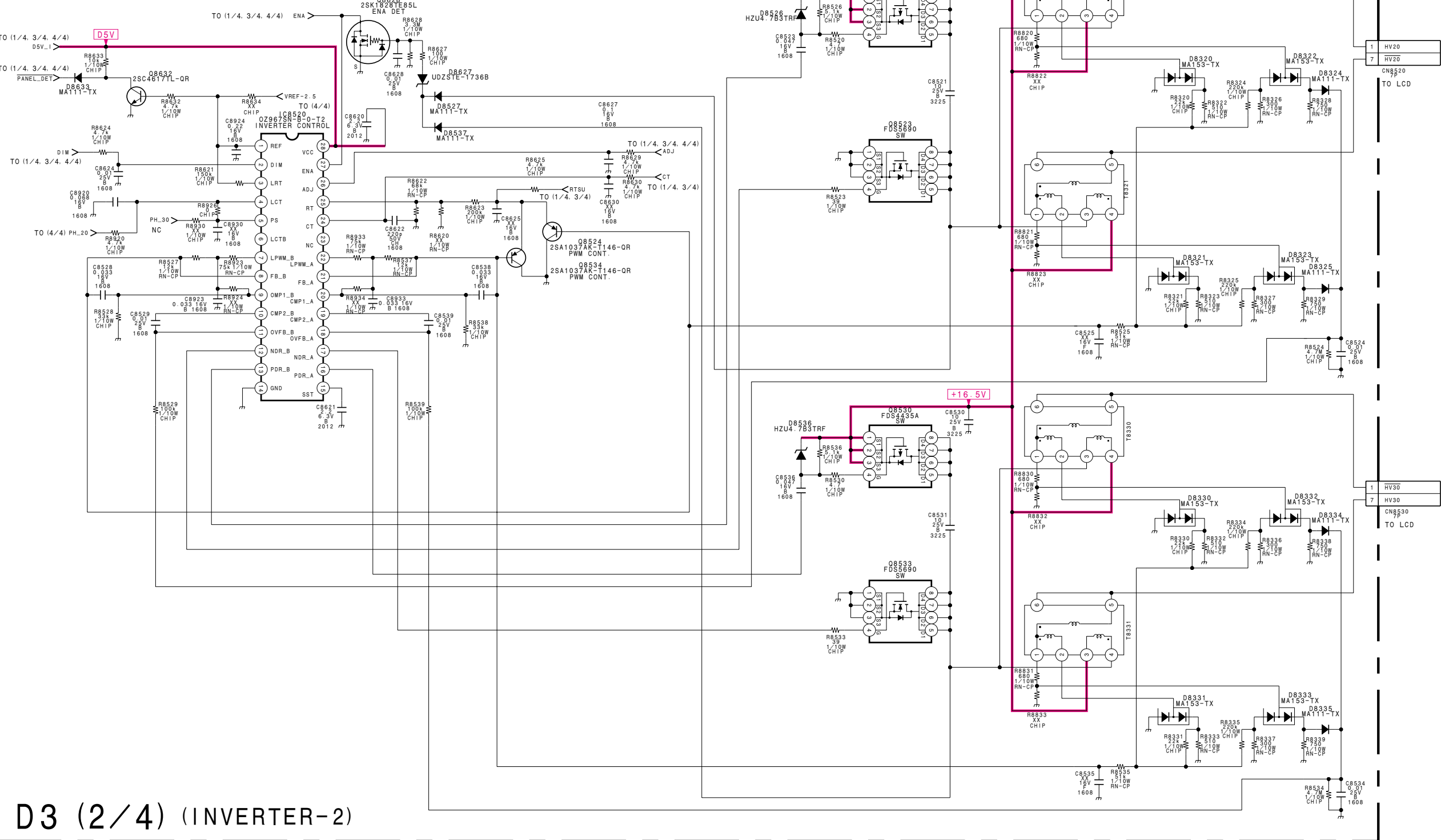


D3 (1/4) (INVERTER-1)

B-SS11610<J...>-D3.-P1

1 2 3 4 5 6 7 8 9 10 11 12 13 14 15

A
B
C
D
E
F
G
H
I
J

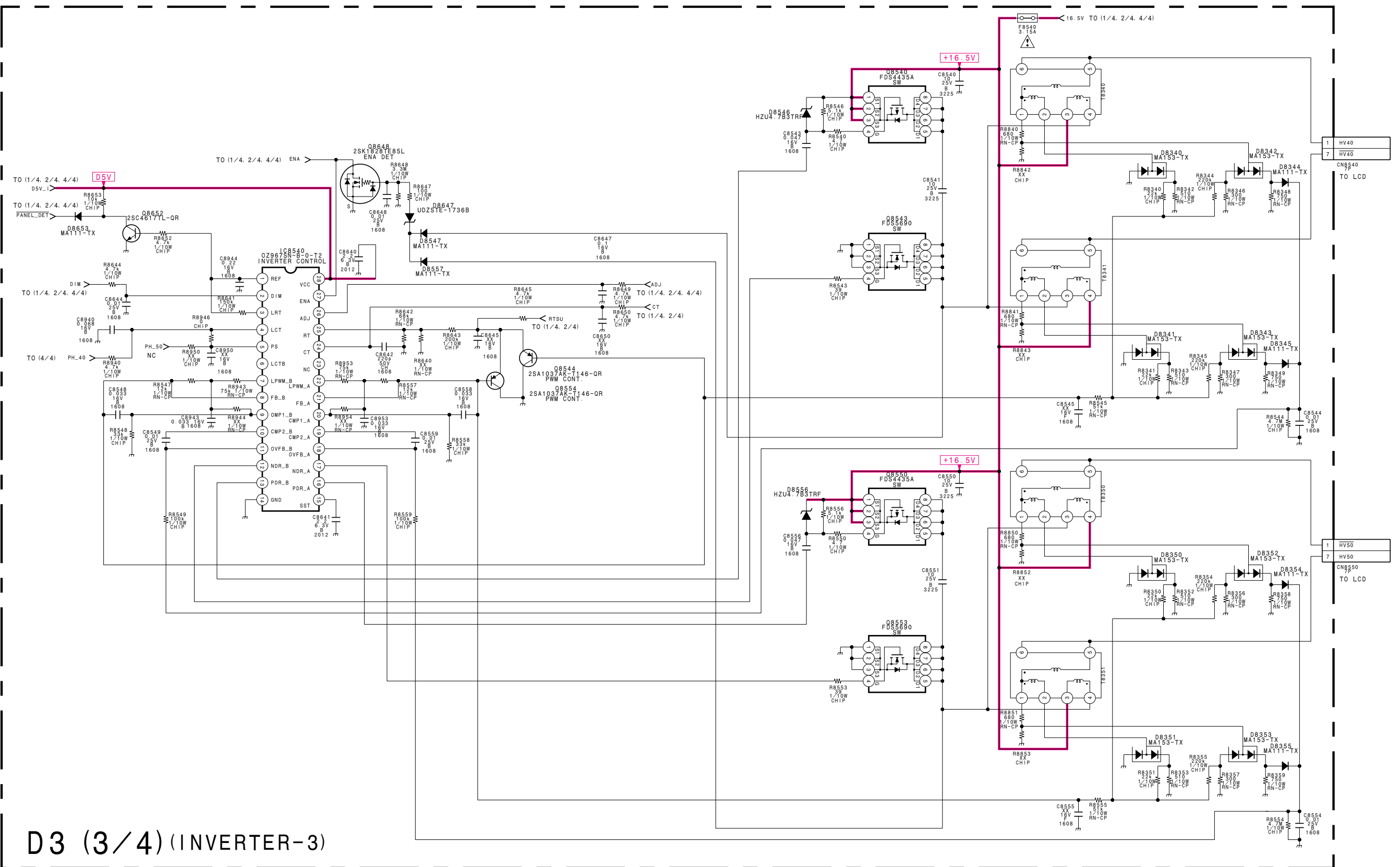


D3 (2/4) (INVERTER-2)

B-SS11610<J...>-D3.-P2

1 2 3 4 5 6 7 8 9 10 11 12 13 14 15

A
B
C
D
E
F
G
H
I
J

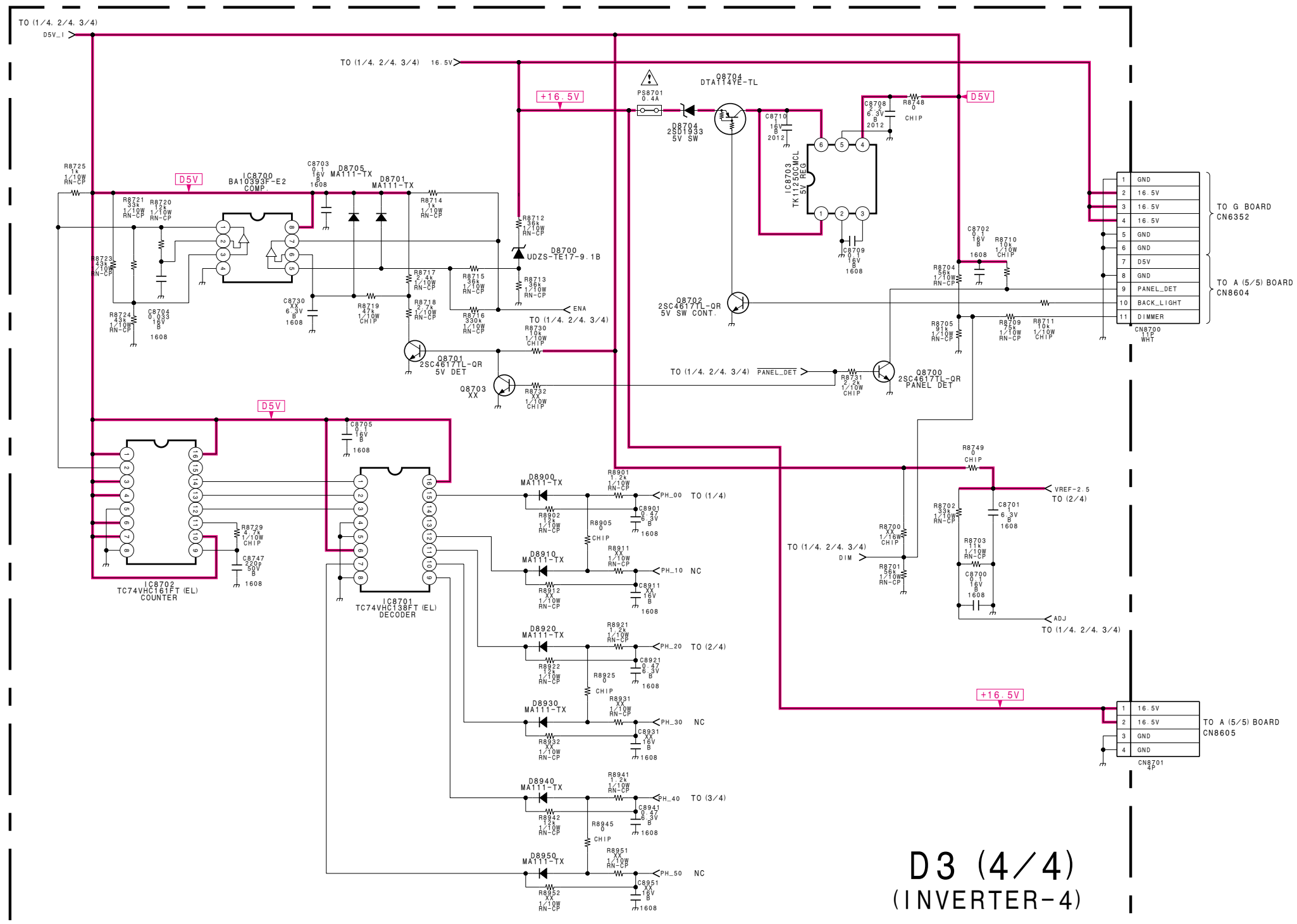


D3 (3/4) (INVERTER-3)

B-S811610J...-D3.-P3

1 2 3 4 5 6 7 8 9 10 11 12 13 14 15

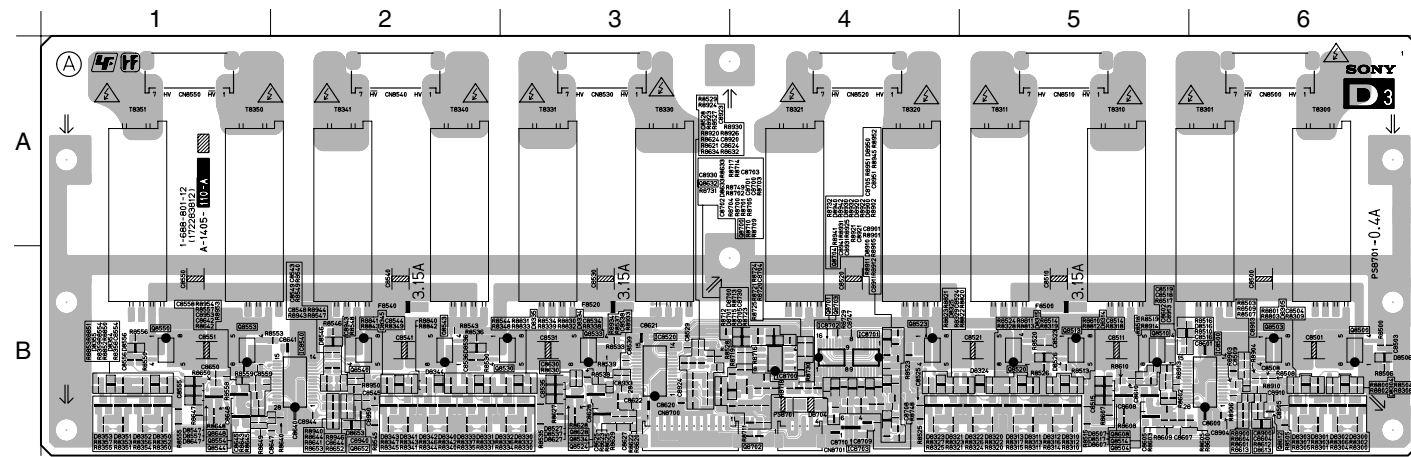
A
B
C
D
E
F
G
H
I
J



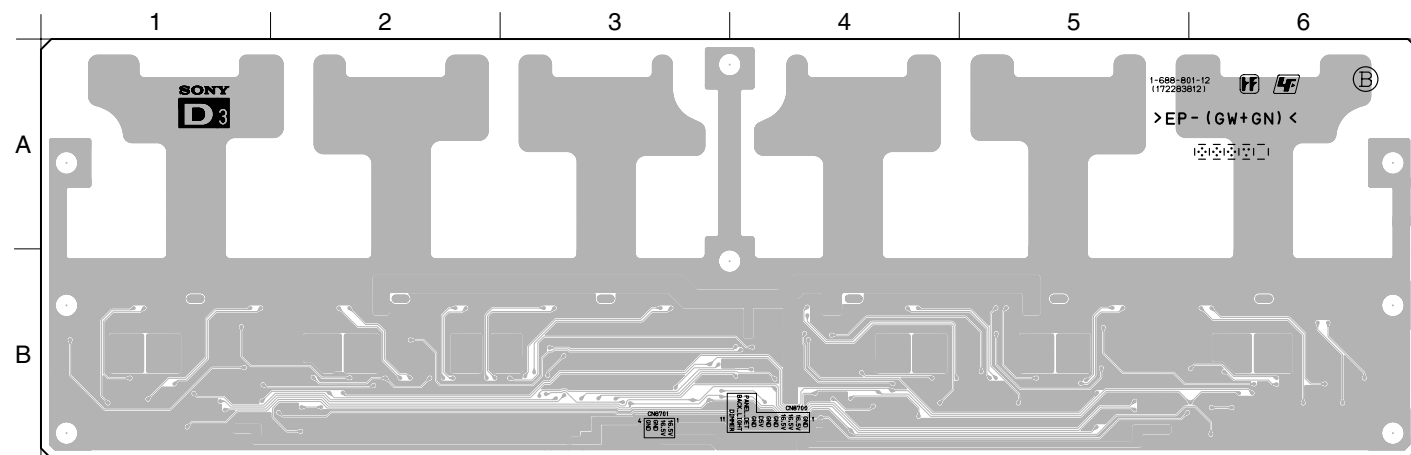
B-SS11610<J...>-D3.-P4

D3 [INVERTER]

D3 BOARD



<COMPONENT SIDE>



<CONDUCTOR SIDE>

D3 BOARD SEMICONDUCTOR LOCATION

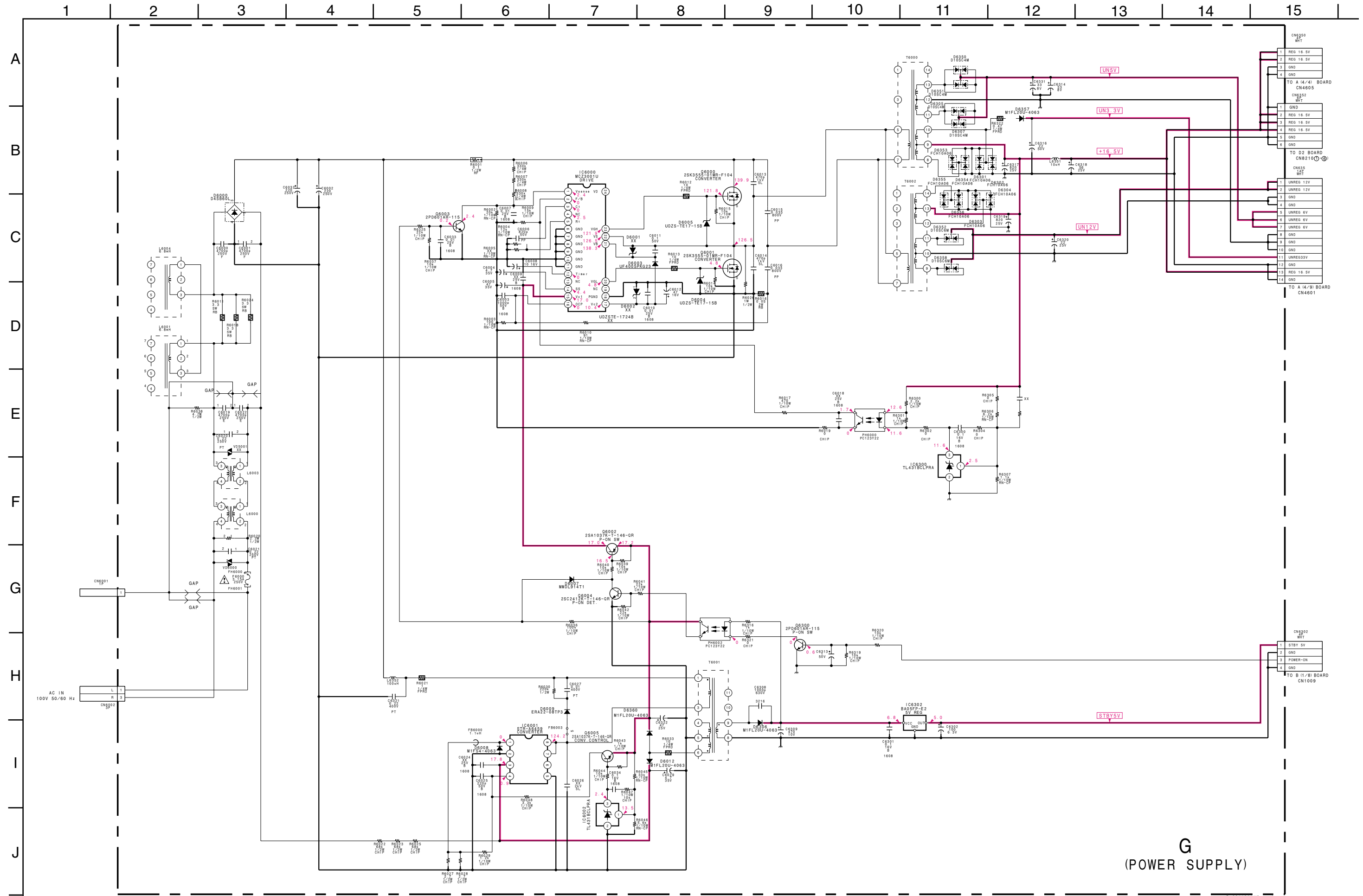
IC			
(Component Side)	(Conductor Side)		
IC8500	B-6	D8312	B-5 (7)
IC8520	B-3	D8313	B-5 (7)
IC8540	B-2	D8314	B-5 (8)
IC8700	B-4	D8315	B-5 (8)
IC8701	B-4	D8320	B-5 (7)
IC8702	B-4	D8321	B-4 (7)
IC8703	B-4	D8322	B-5 (7)
		D8323	B-4 (7)
		D8324	B-5 (8)
		D8325	B-4 (8)
		D8330	B-3 (7)
		D8331	B-2 (7)
		D8332	B-3 (7)
		D8333	B-2 (7)
		D8334	B-3 (8)
		D8335	B-2 (8)
		D8340	B-2 (7)
		D8341	B-2 (7)
		D8342	B-2 (7)
		D8343	B-2 (7)
		D8344	B-2 (8)
		D8345	B-2 (8)
		D8350	B-1 (7)
		D8351	B-1 (7)
		D8352	B-1 (7)
		D8353	B-1 (7)
		D8354	B-1 (8)
		D8355	B-1 (8)
		D8506	B-6 (8)
		D8507	B-5 (8)
		D8516	B-5 (8)
		D8517	B-5 (8)
		D8526	B-5 (8)
		D8527	B-3 (8)
		D8536	B-2 (8)
		D8537	B-3 (8)
		D8546	B-2 (8)
		D8547	B-1 (8)
		D8556	B-1 (8)
		D8557	B-1 (8)
		D8607	B-5 (8)
		D8613	B-6 (8)
		D8627	B-3 (8)
		D8633	B-4 (8)
		D8647	B-1 (8)
		D8653	B-2 (8)
		D8700	B-4 (8)
		D8701	B-4 (8)
		D8704	B-4 (8)
		D8705	B-4 (8)
		D8900	B-4 (8)
		D8910	B-4 (8)
		D8920	B-4 (8)
		D8930	B-4 (8)
		D8940	B-4 (8)
		D8950	B-4 (8)

TRANSISTOR			
(Component Side)	(Conductor Side)	*	
Q8500	B-6	-	
Q8503	B-6	-	
Q8504	B-5	(2)	
Q8510	B-5	-	
Q8513	B-5	-	
Q8514	B-5	(2)	
Q8520	B-5	-	
Q8523	B-4	-	
Q8524	B-3	(2)	
Q8530	B-3	-	
Q8533	B-3	-	
Q8534	B-3	(2)	
Q8540	B-2	-	
Q8543	B-2	-	
Q8544	B-1	(2)	
Q8550	B-1	-	
Q8553	B-1	-	
Q8554	B-1	(2)	
Q8608	B-5	(13)	
Q8612	B-6	(2)	
Q8628	B-3	(13)	
Q8632	B-3	(2)	
Q8648	B-1	(13)	
Q8652	B-2	(2)	
Q8700	B-4	(2)	
Q8701	B-4	(2)	
Q8702	B-4	(2)	
Q8704	B-4	(2)	

DIODE			
(Component Side)	(Conductor Side)	*	
D8300	B-6	(7)	
D8301	B-6	(7)	
D8302	B-6	(7)	
D8303	B-6	(7)	
D8304	B-6	(8)	
D8305	B-6	(8)	
D8310	B-5	(7)	
D8311	B-5	(7)	

*: Refer to Terminal name of semiconductors in silk screen printed circuit (see page 3-10)

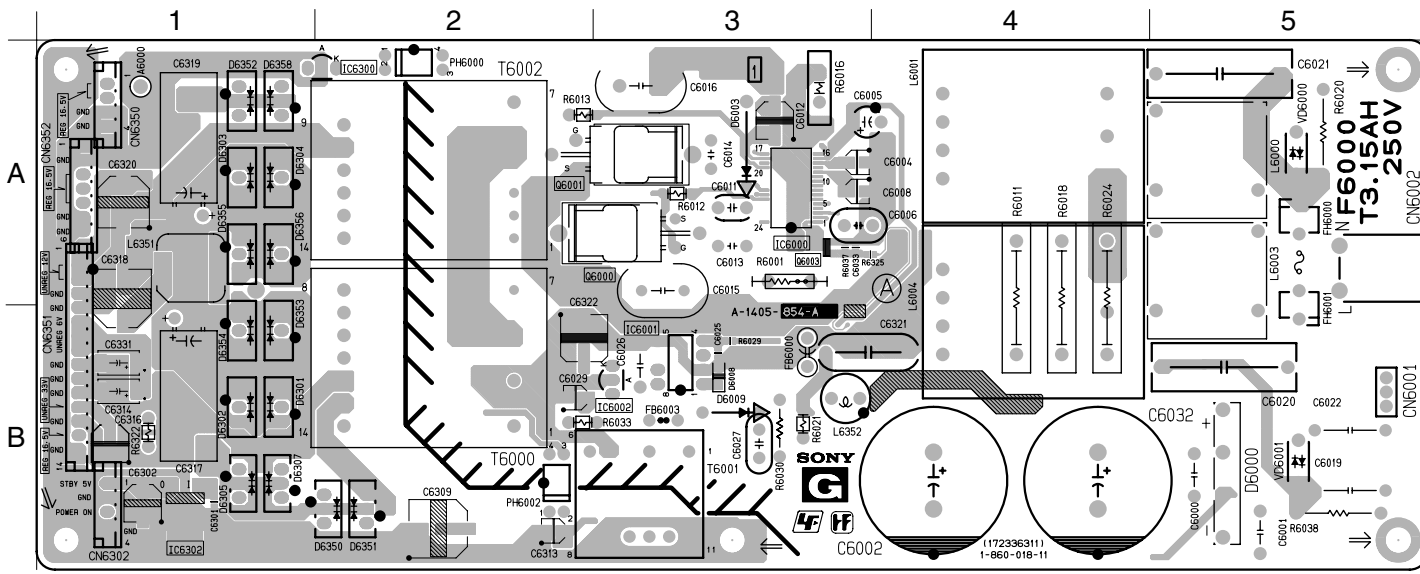
(4) Schematic Diagram of G Board



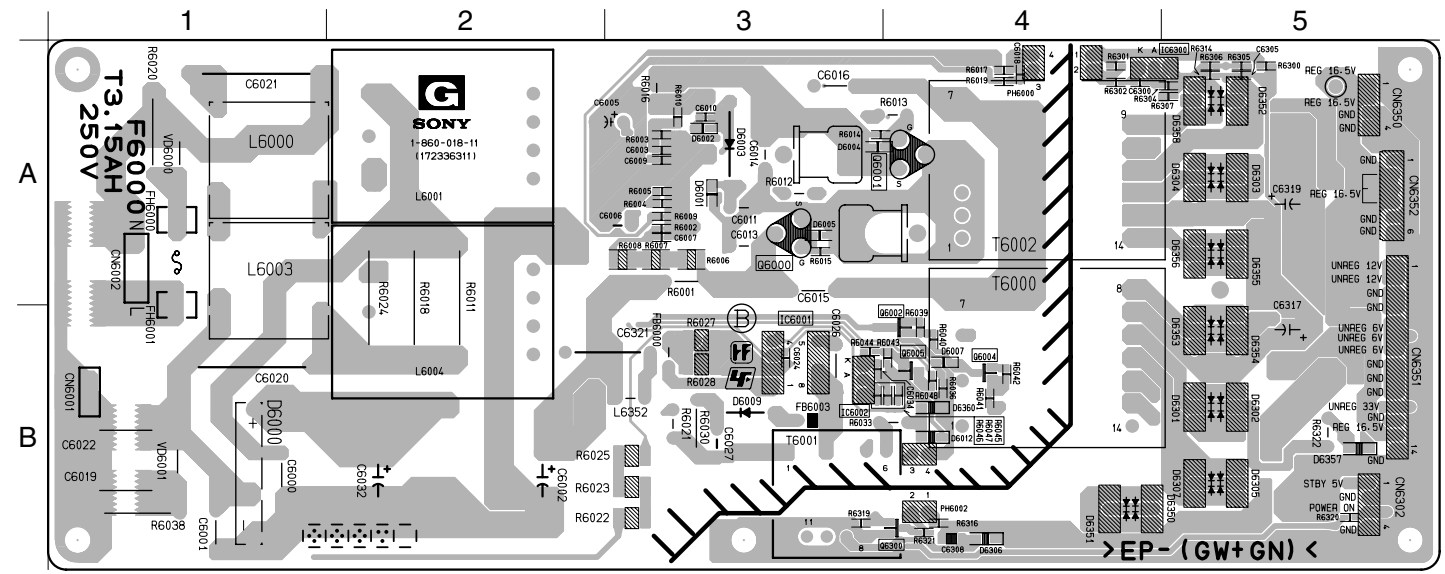
G
(POWER SUPPLY)

G [POWER SUPPLY]

— G BOARD —

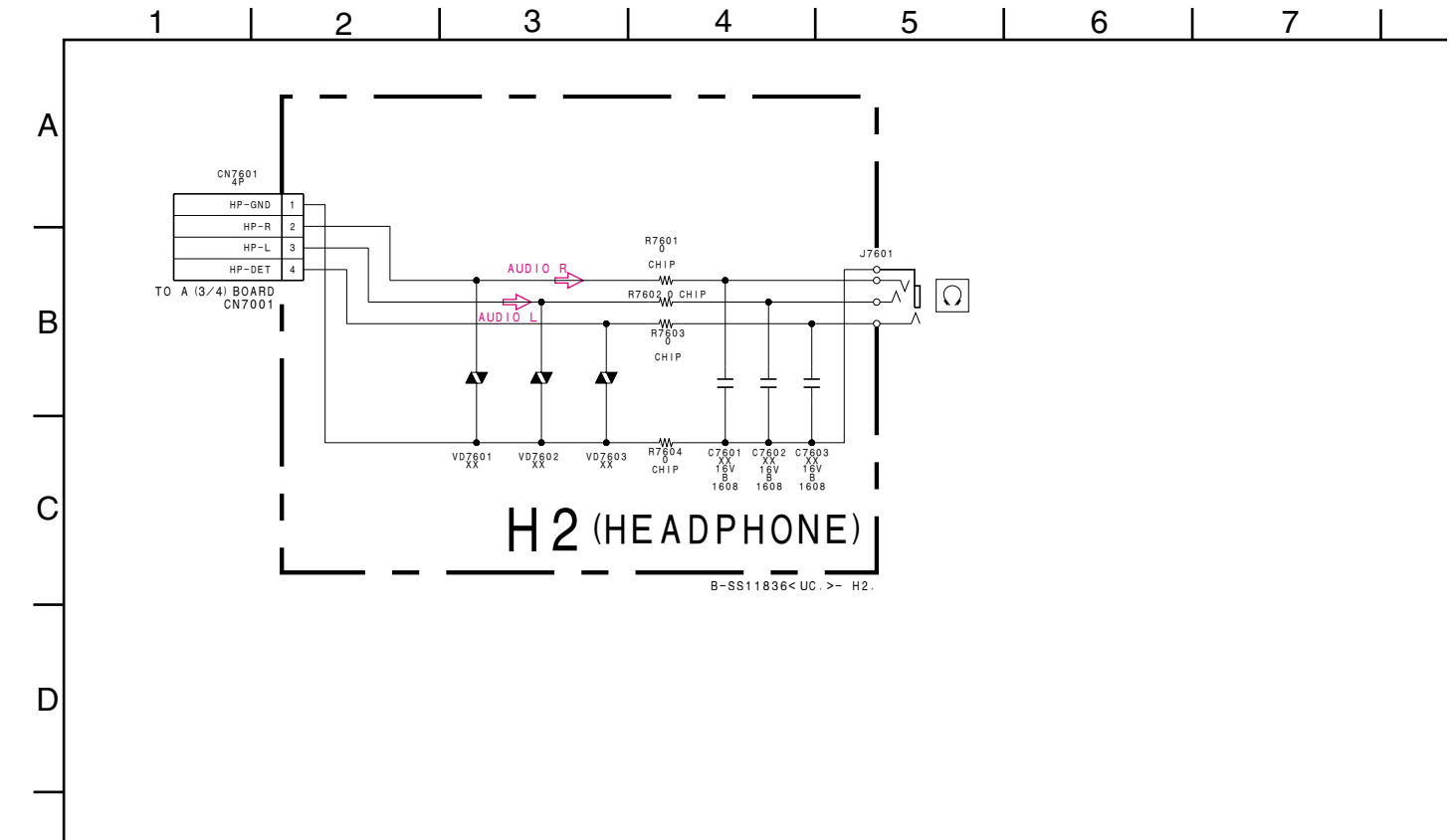
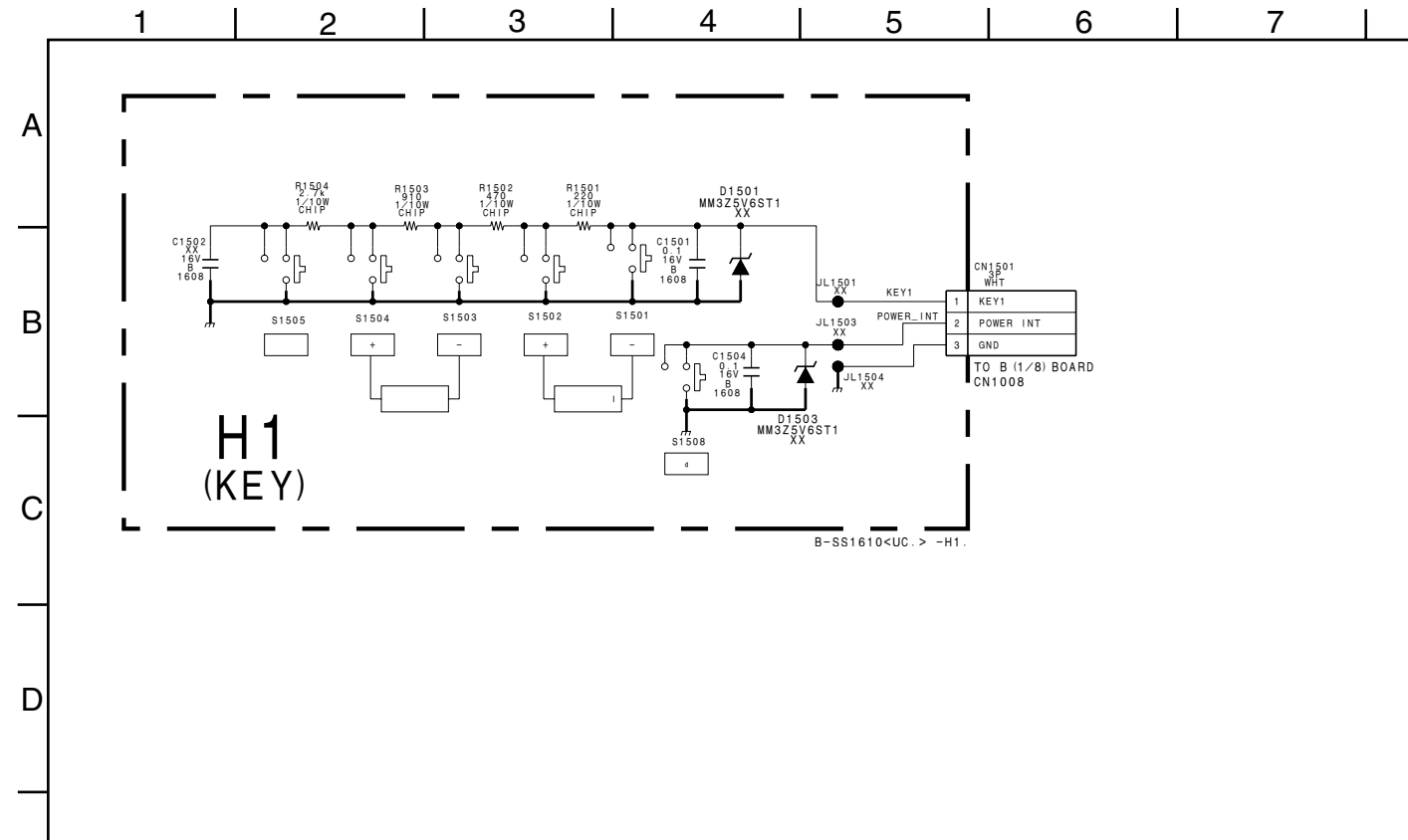


<COMPONENT SIDE>



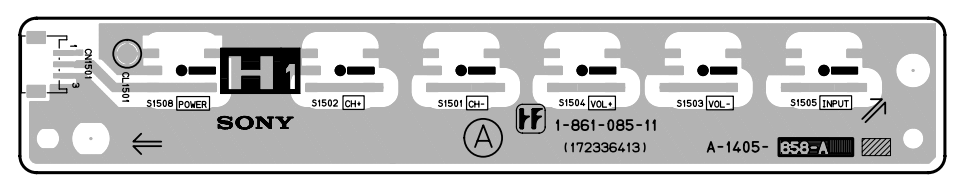
<CONDUCTOR SIDE>

(5) Schematic Diagram of H1 and H2 Boards

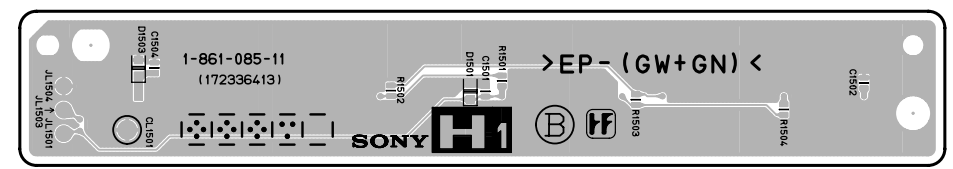


H1 [KEY]

— H1 BOARD —



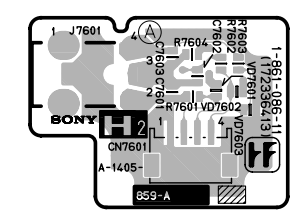
<COMPONENT SIDE>



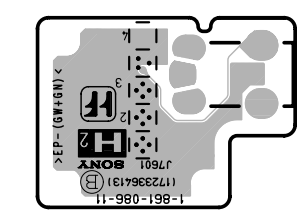
<CONDUCTOR SIDE>

H2 [HEADPHONE]

— H2 BOARD —

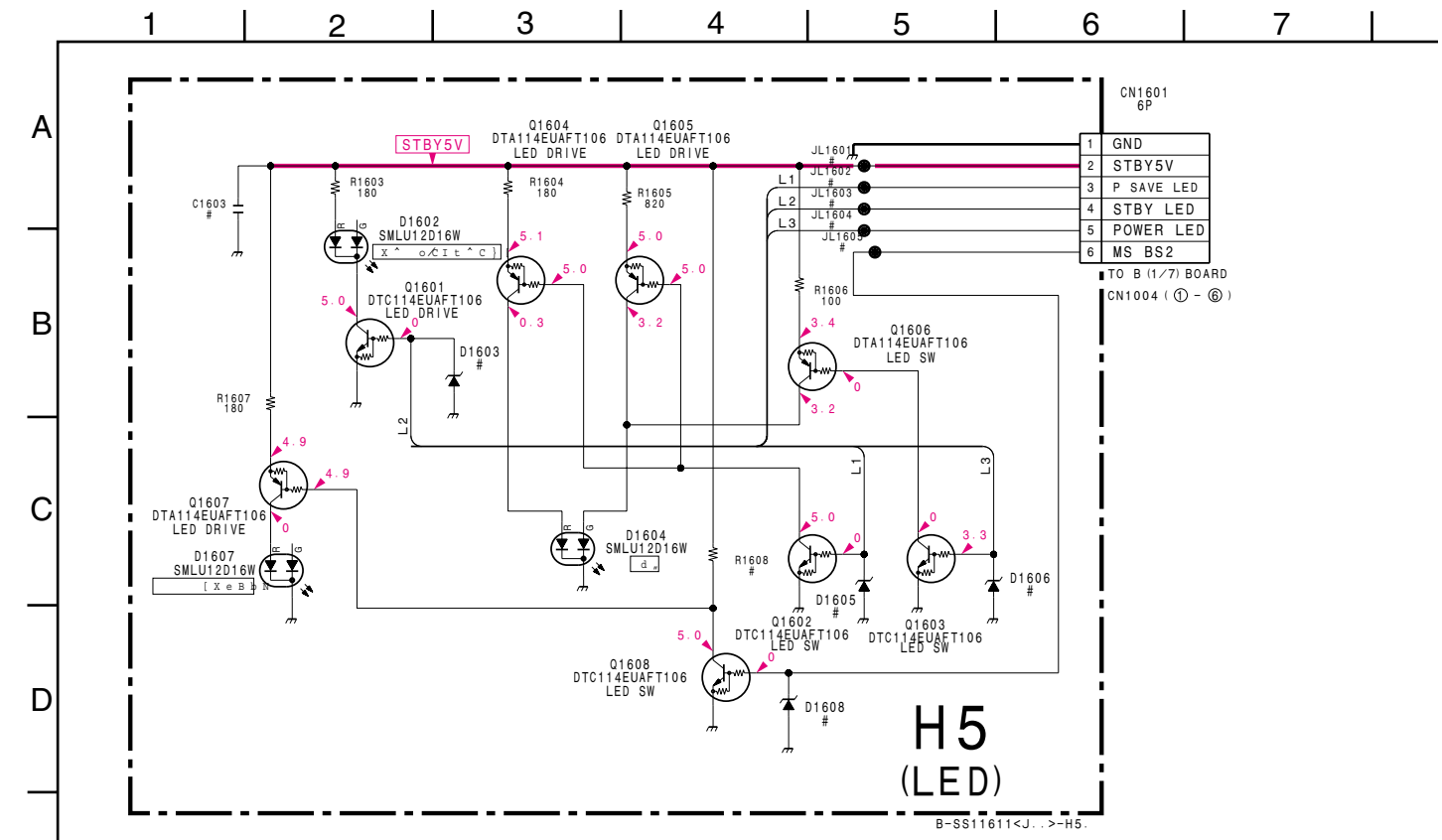
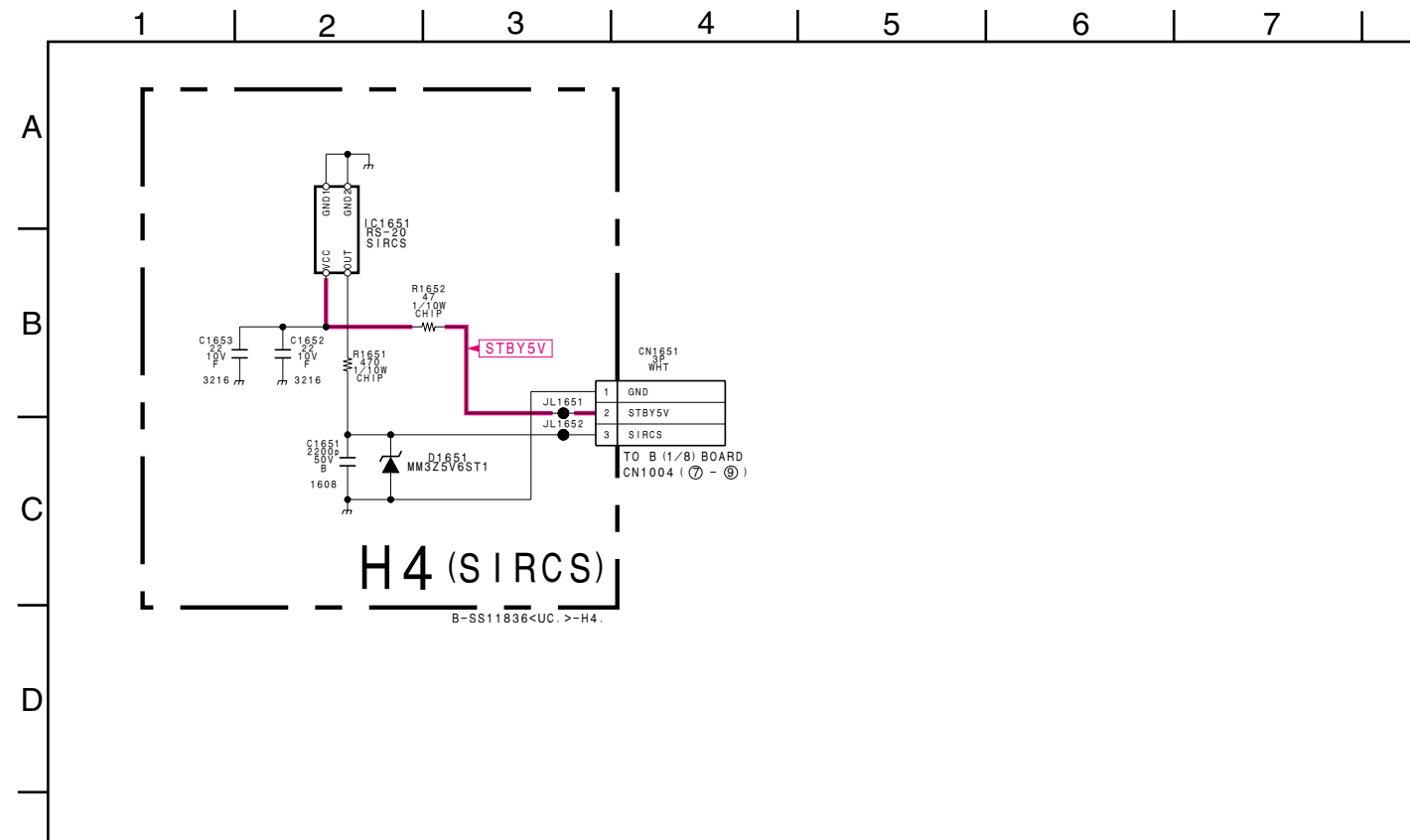


<COMPONENT SIDE>



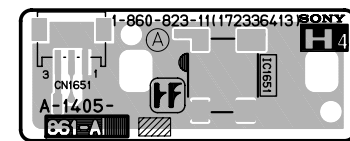
<CONDUCTOR SIDE>

(6) Schematic Diagram of H4 and H5 Boards

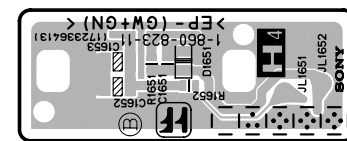


H4 [SIRCS]

— H4 BOARD —



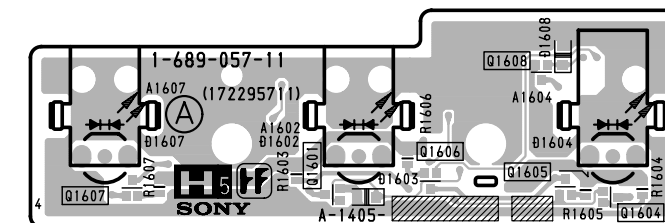
<COMPONENT SIDE>



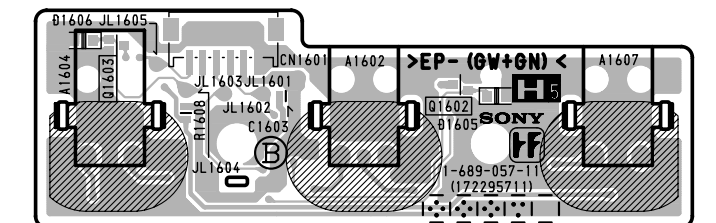
<CONDUCTOR SIDE>

H5 [LED]

— H5 BOARD —



<COMPONENT SIDE>



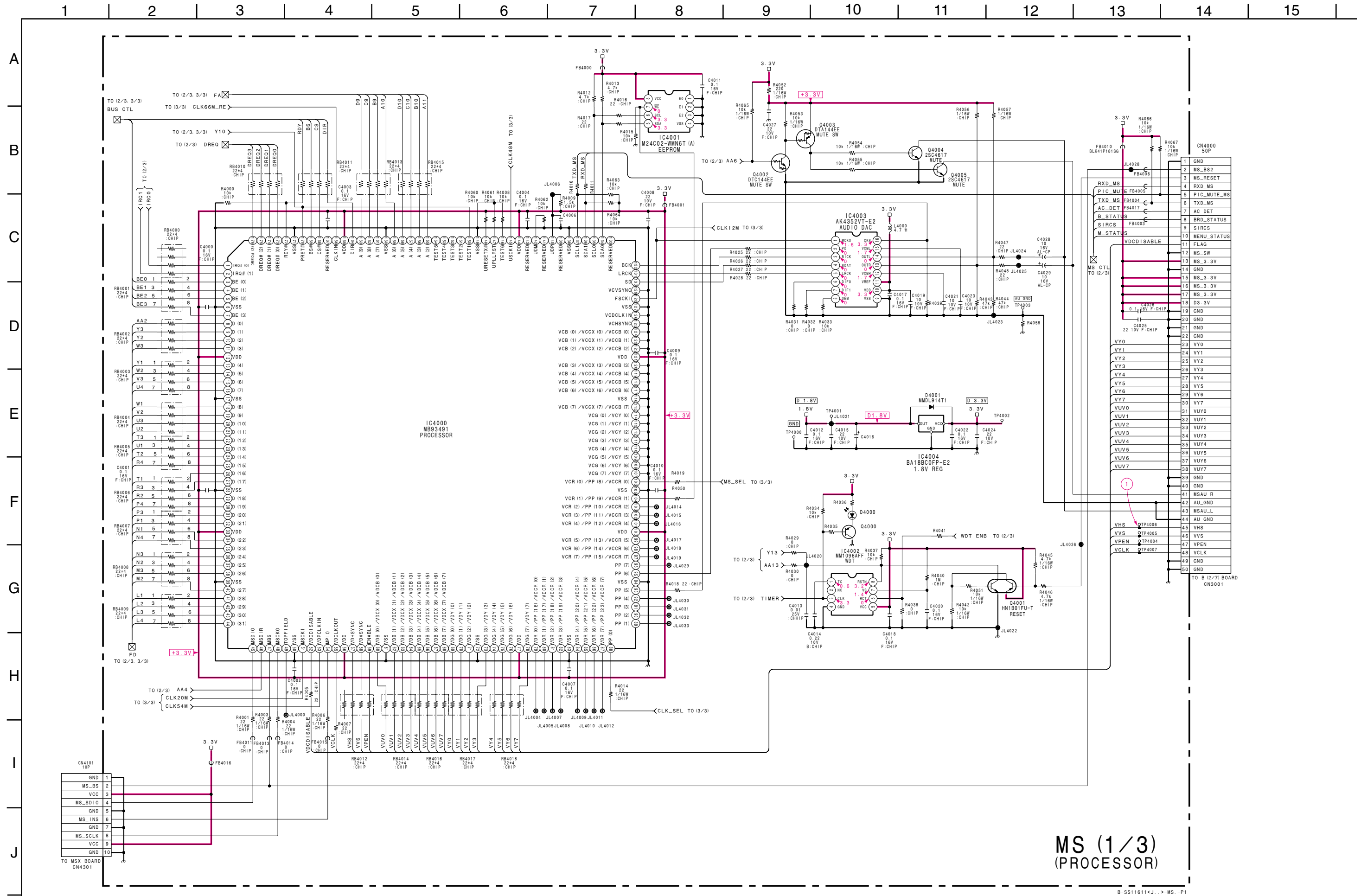
<CONDUCTOR SIDE>

• H5 BOARD SEMICONDUCTOR LOCATION

Ref.	*
Q1601-Q1608, D1602, D1604, D1607	②

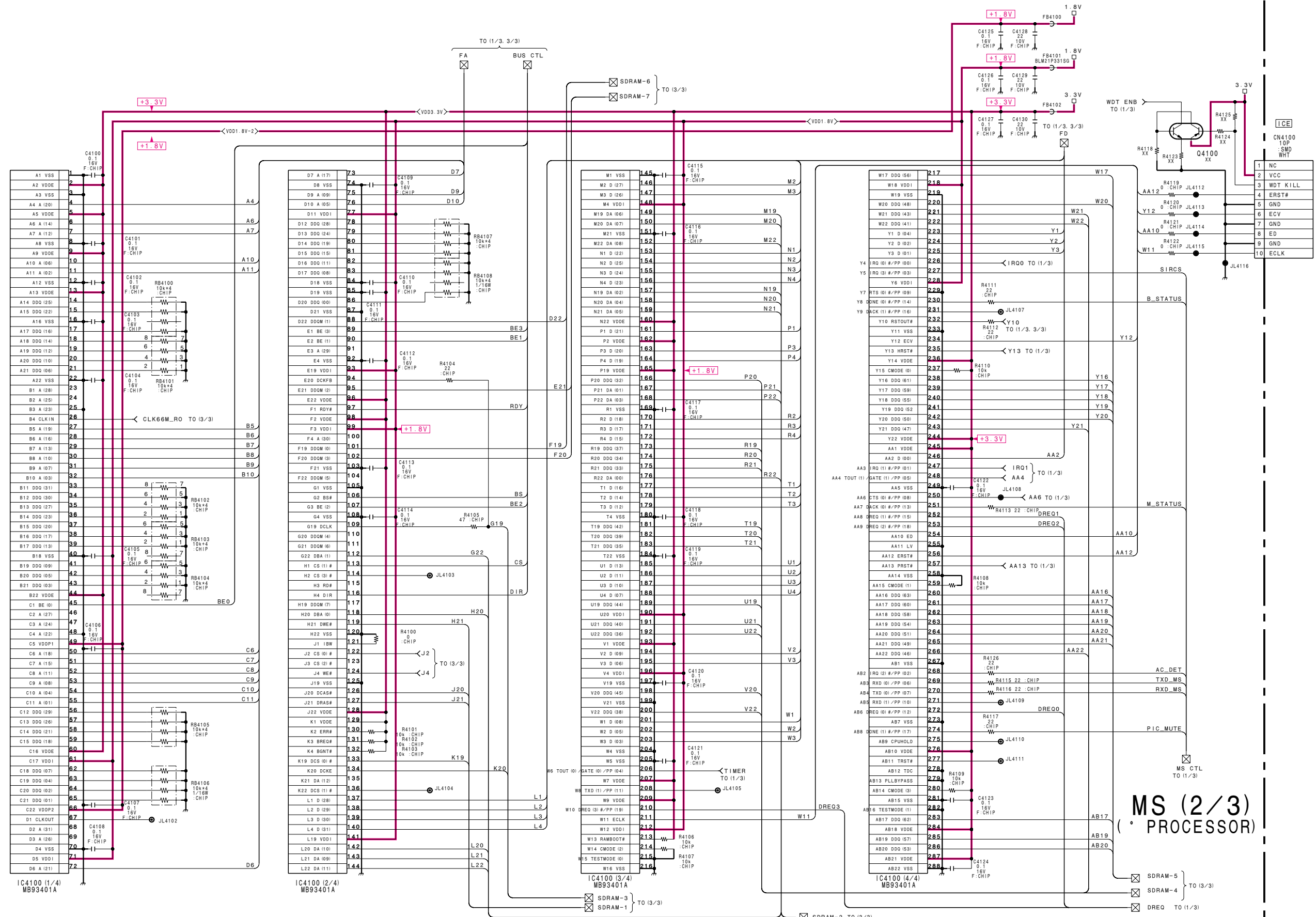
*: Refer to Terminal name of semiconductors in silk screen printed circuit (see page 3-10)

(7) Schematic Diagrams of MS Board



MS (1/3)
(PROCESSOR)

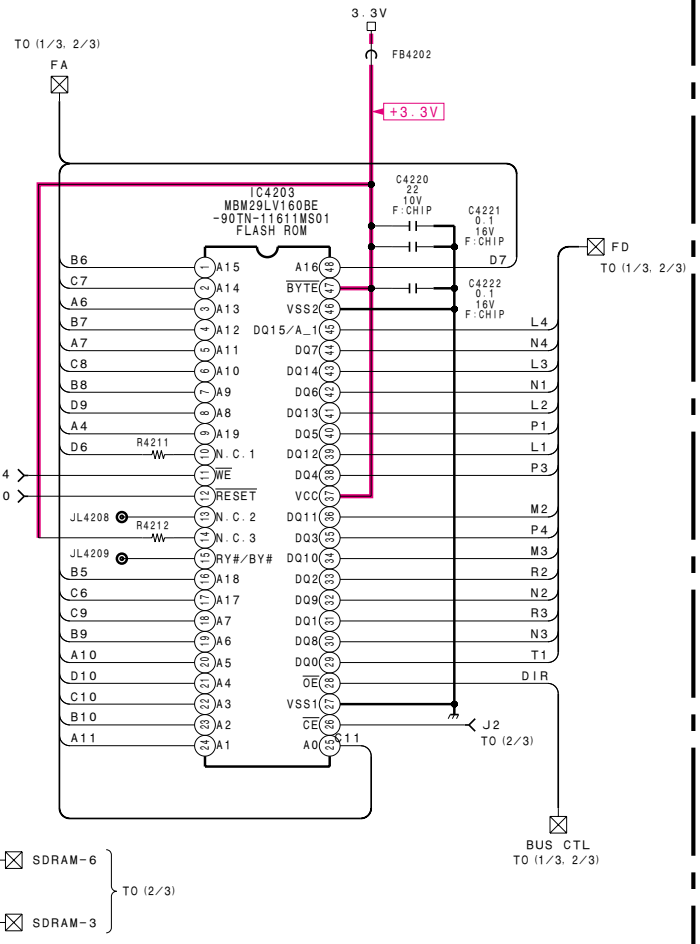
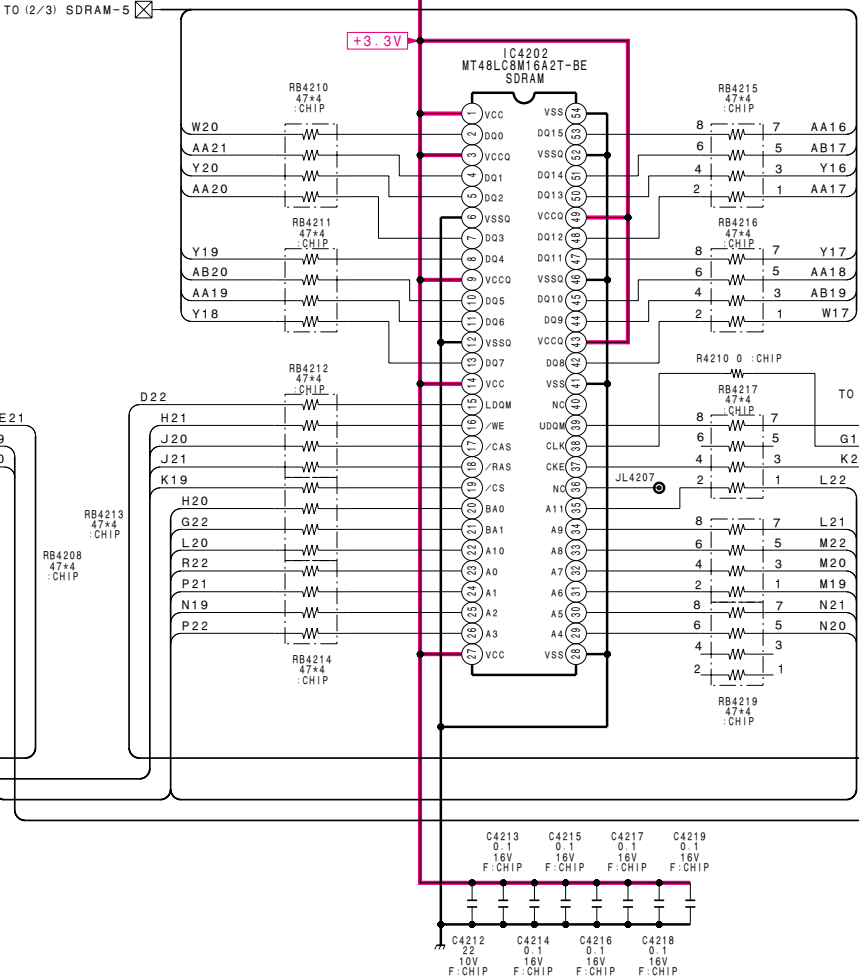
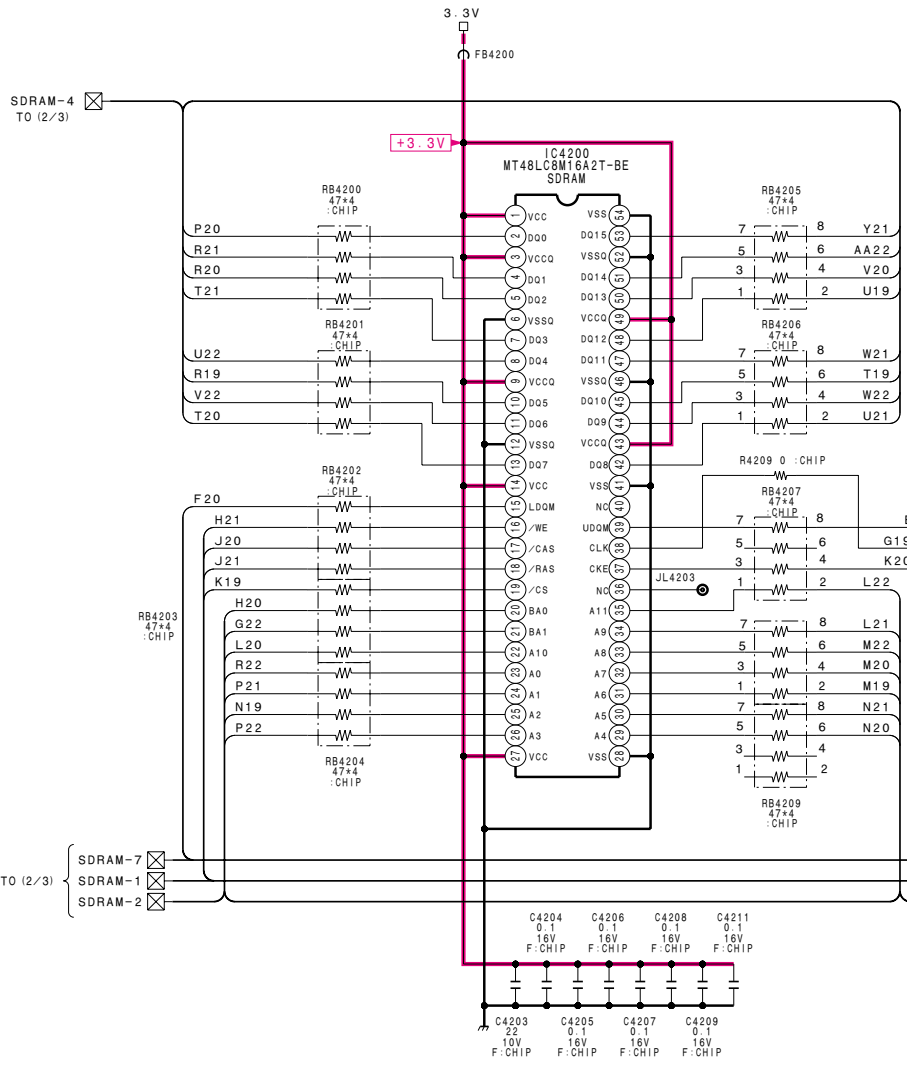
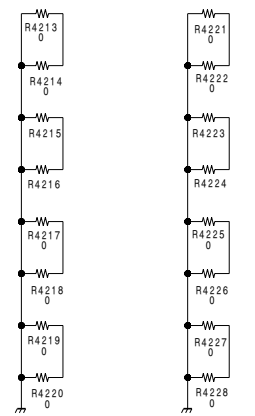
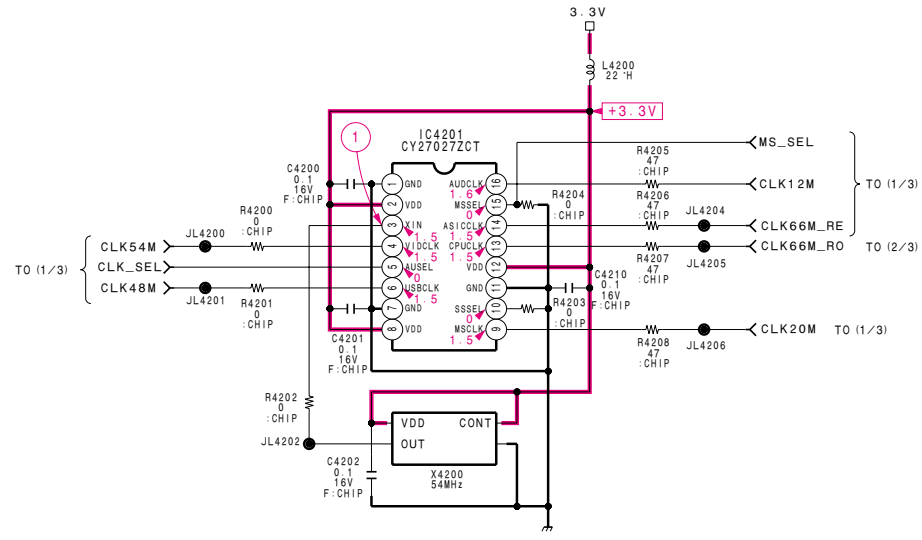
B-S11611<J>-MS-1P1



MS (2/3)
PROCESSOR

1 2 3 4 5 6 7 8 9 10 11 12 13 14 15

A
B
C
D
E
F
G
H
I
J

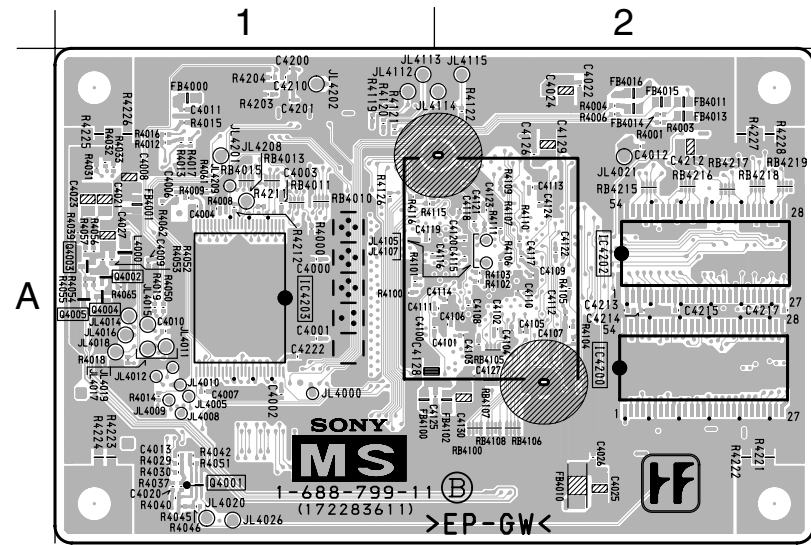


MS (3/3)
(RAM, ROM)

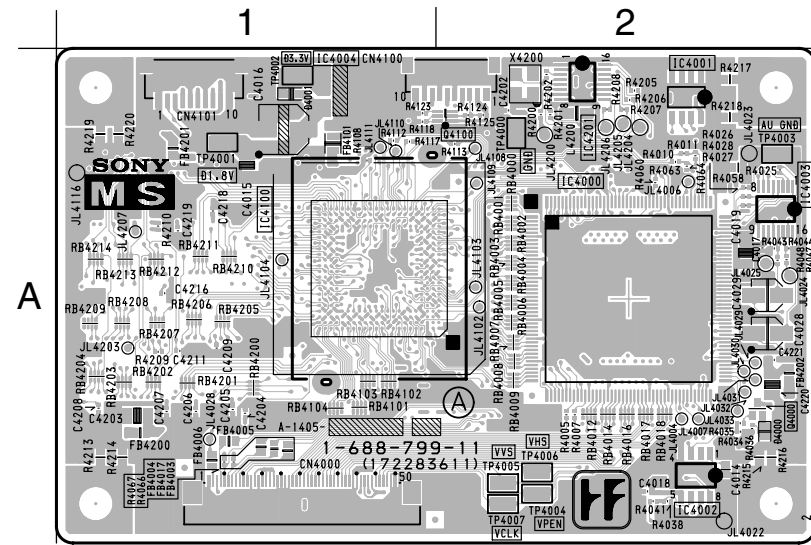
B-SS11611<J...>MS.-P3

MS [μ PROCESSOR]

— MS BOARD —



<COMPONENT SIDE>



<CONDUCTOR SIDE>

• MS BOARD SEMICONDUCTOR LOCATION

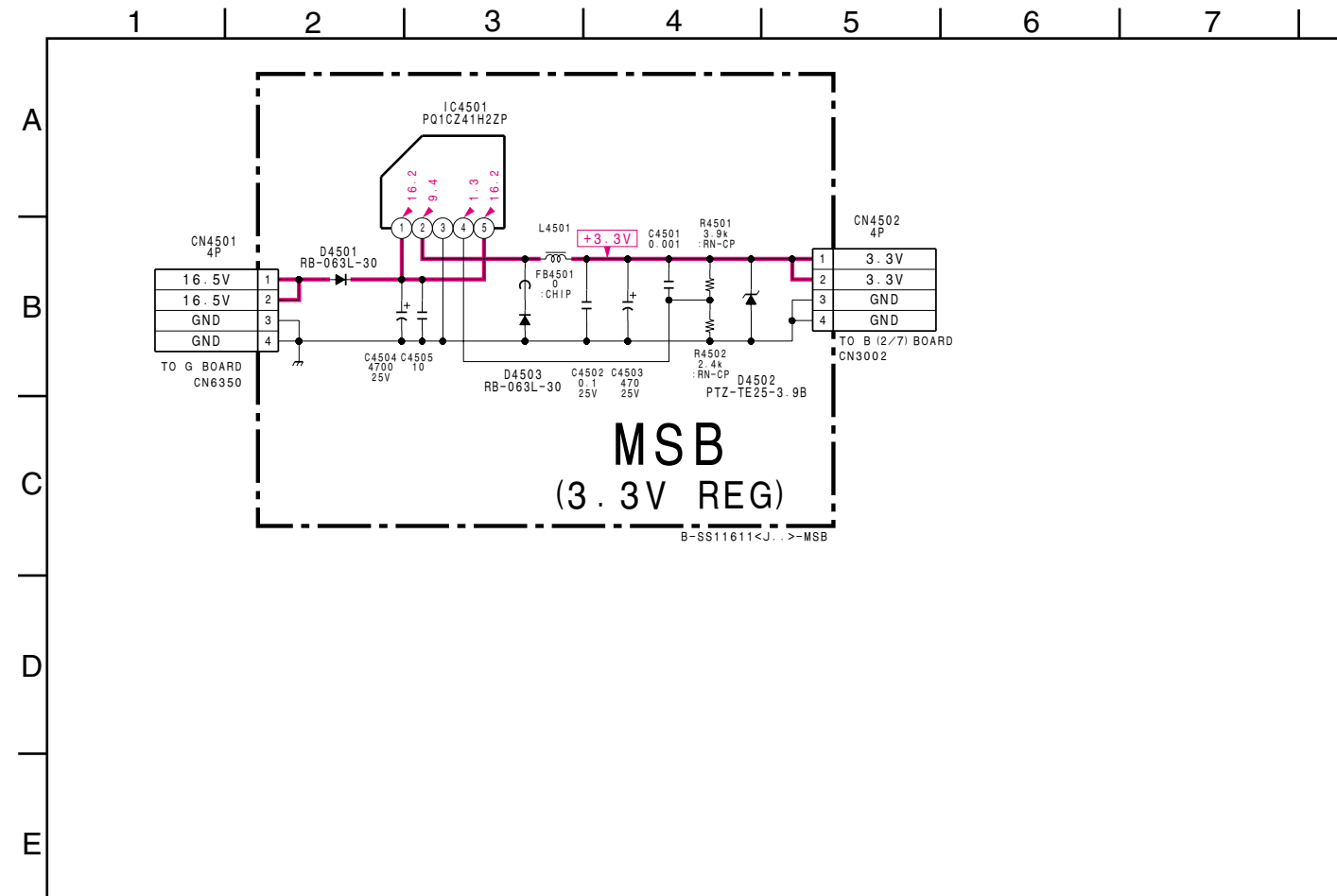
IC	
(Component Side)	(Conductor Side)
IC4000	A-2
IC4001	A-2
IC4002	A-2
IC4003	A-2
IC4004	A-1
IC4100	A-1
IC4200	A-2
IC4201	A-2
IC4202	A-2
IC4203	A-1

TRANSISTOR	
(Component Side)	(Conductor Side) *
Q4001	A-1 (19)
Q4002	A-1 (2)
Q4003	A-1 (2)
Q4004	A-1 (2)
Q4005	A-1 (2)

DIODE	
(Component Side)	(Conductor Side) *
D4001	A-1 (3)

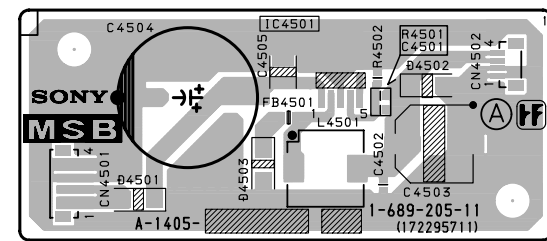
*: Refer to Terminal name of semiconductors in silk screen printed circuit (see page 3-10)

(8) Schematic Diagram of MSB and MSX Boards

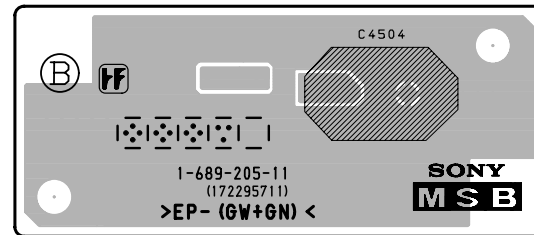


MSB [3.3V REG]

— MSB BOARD —



<COMPONENT SIDE>

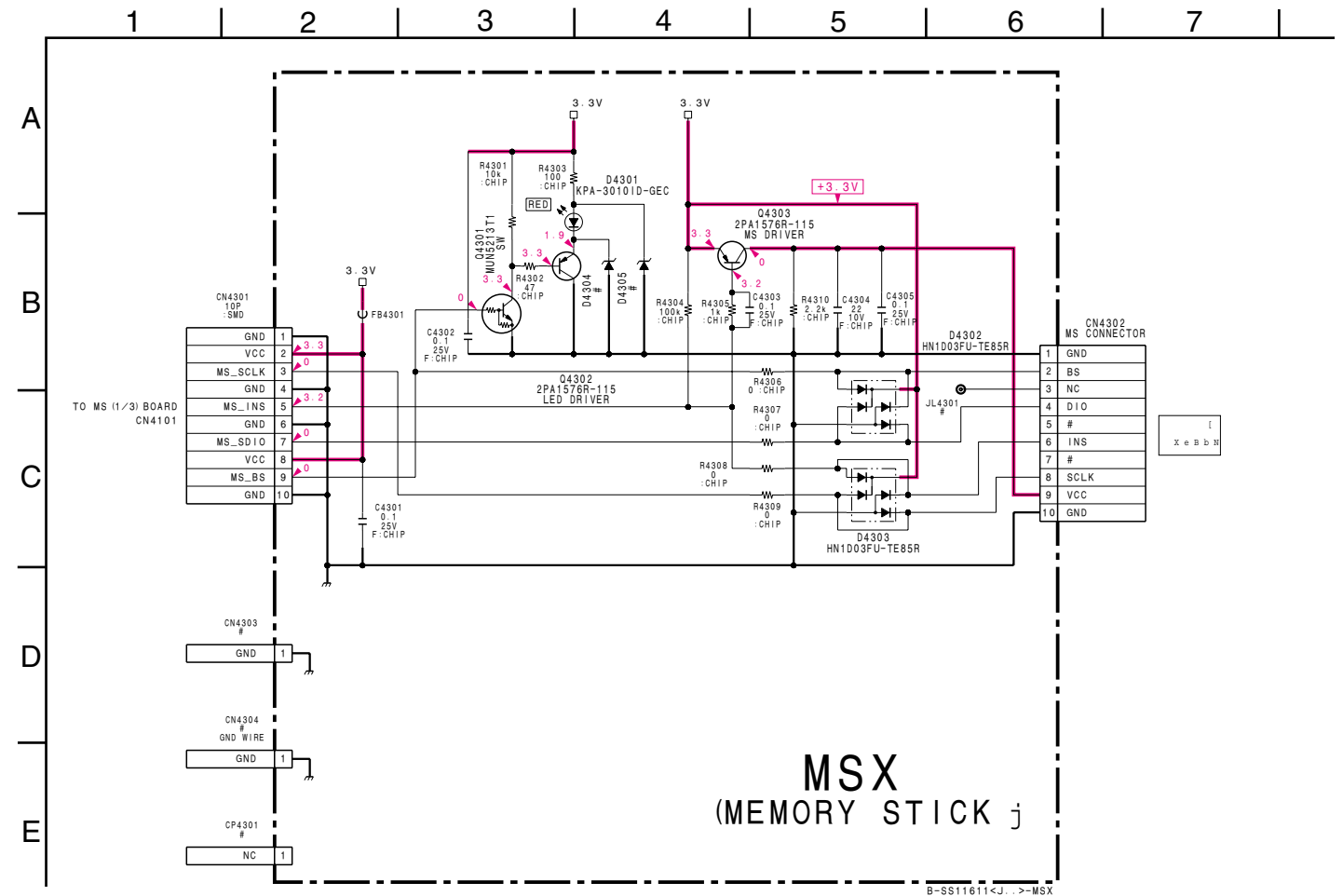


<CONDUCTOR SIDE>

• MSB BOARD SEMICONDUCTOR LOCATION

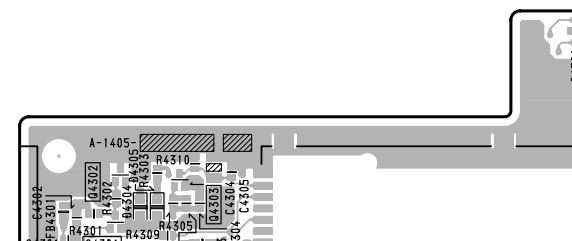
Ref.	*
D4501-D4503	③

*: Refer to Terminal name of semiconductors in silk screen printed circuit (see page 3-10)

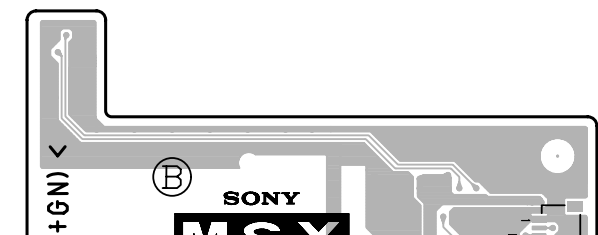


MSX [MEMORY STICK]

— MSX BOARD —



<COMPONENT SIDE>



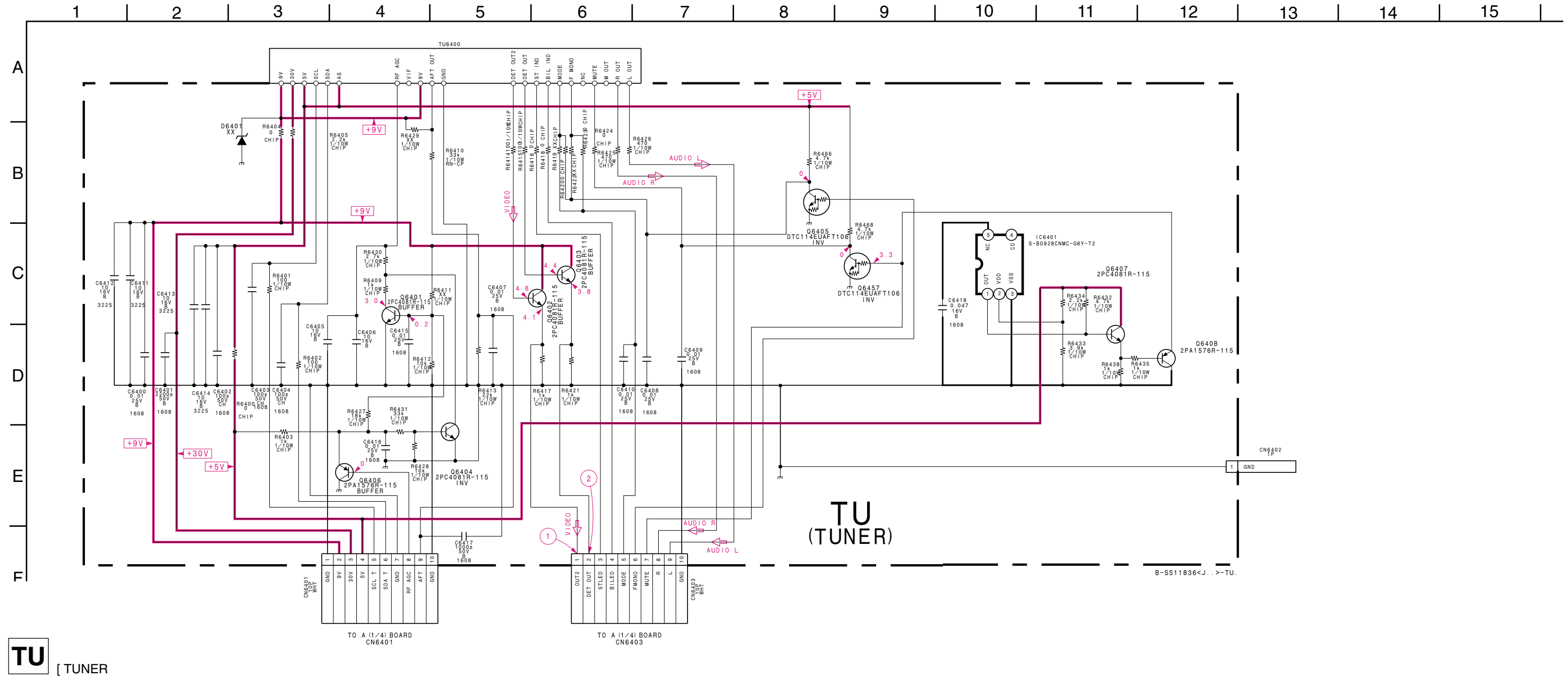
<CONDUCTOR SIDE>

• MSX BOARD SEMICONDUCTOR LOCATION

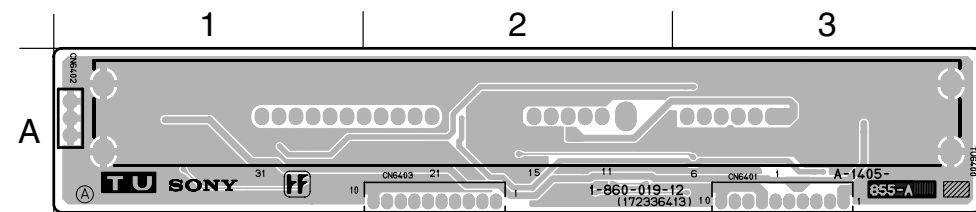
Ref.	*
Q4301-Q4303	②

*: Refer to Terminal name of semiconductors in silk screen printed circuit (see page 3-10)

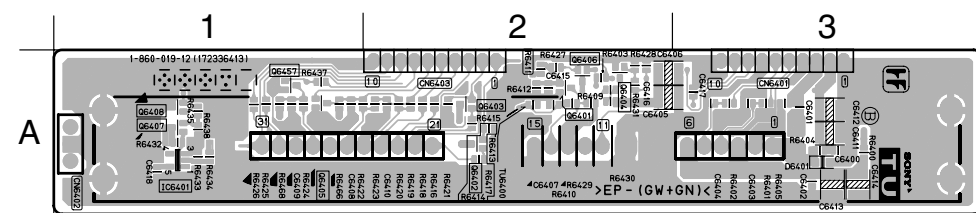
(9) Schematic Diagram of TU Board



TU [TUNER]

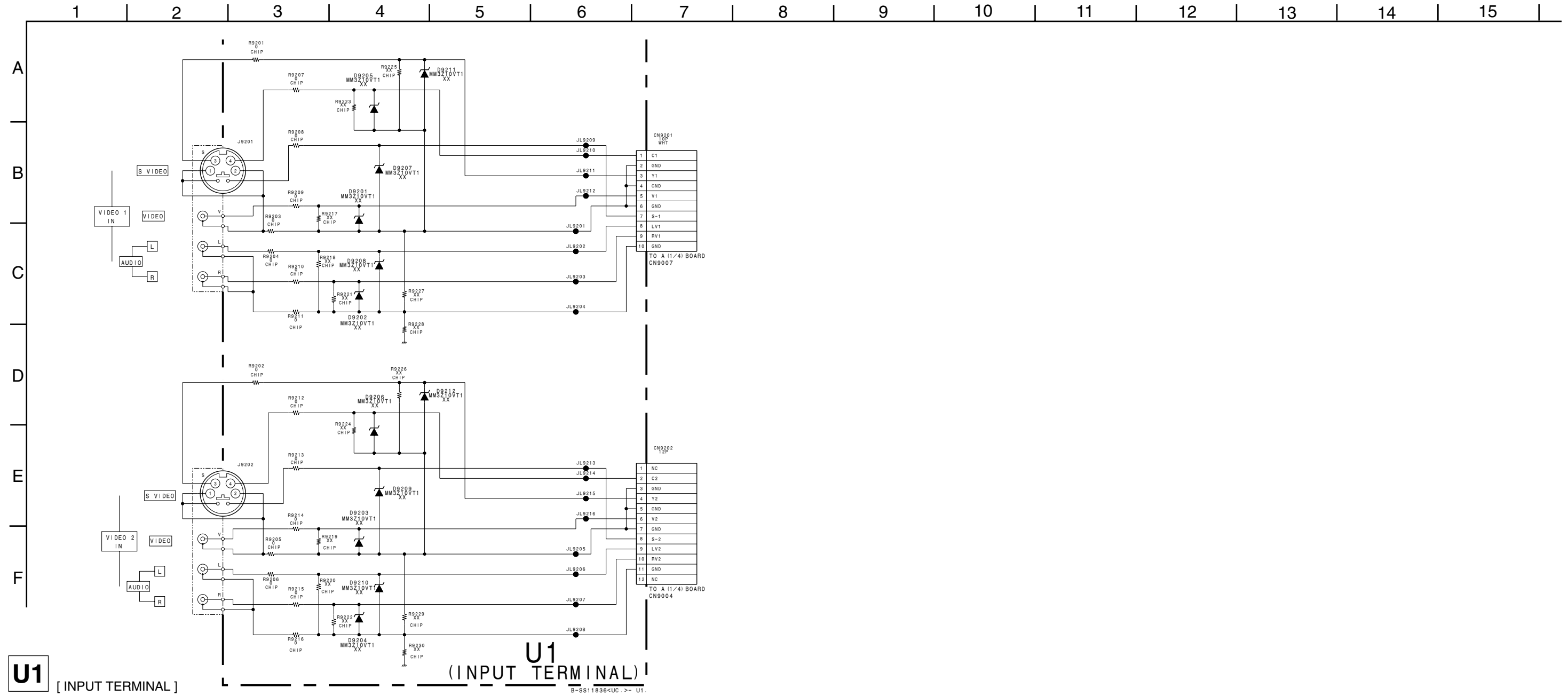


<COMPONENT SIDE>



<CONDUCTOR SIDE>

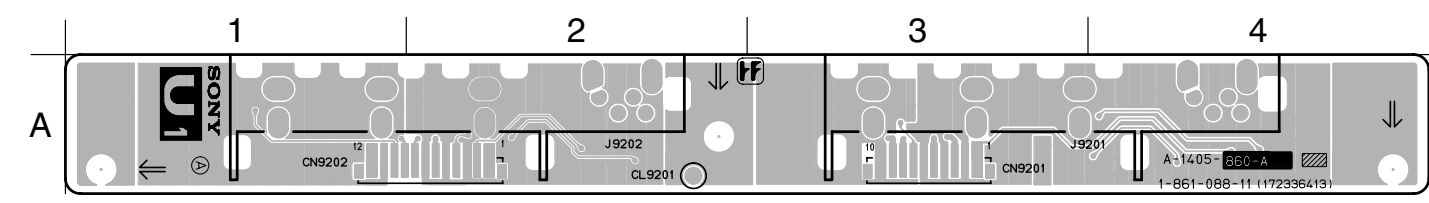
(10) Schematic Diagram of U1 Board



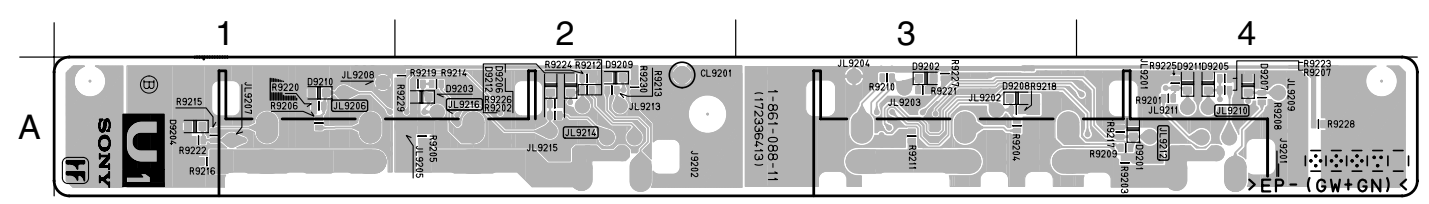
U1 [INPUT TERMINAL]

U1 (INPUT TERMINAL)

— U1 BOARD —

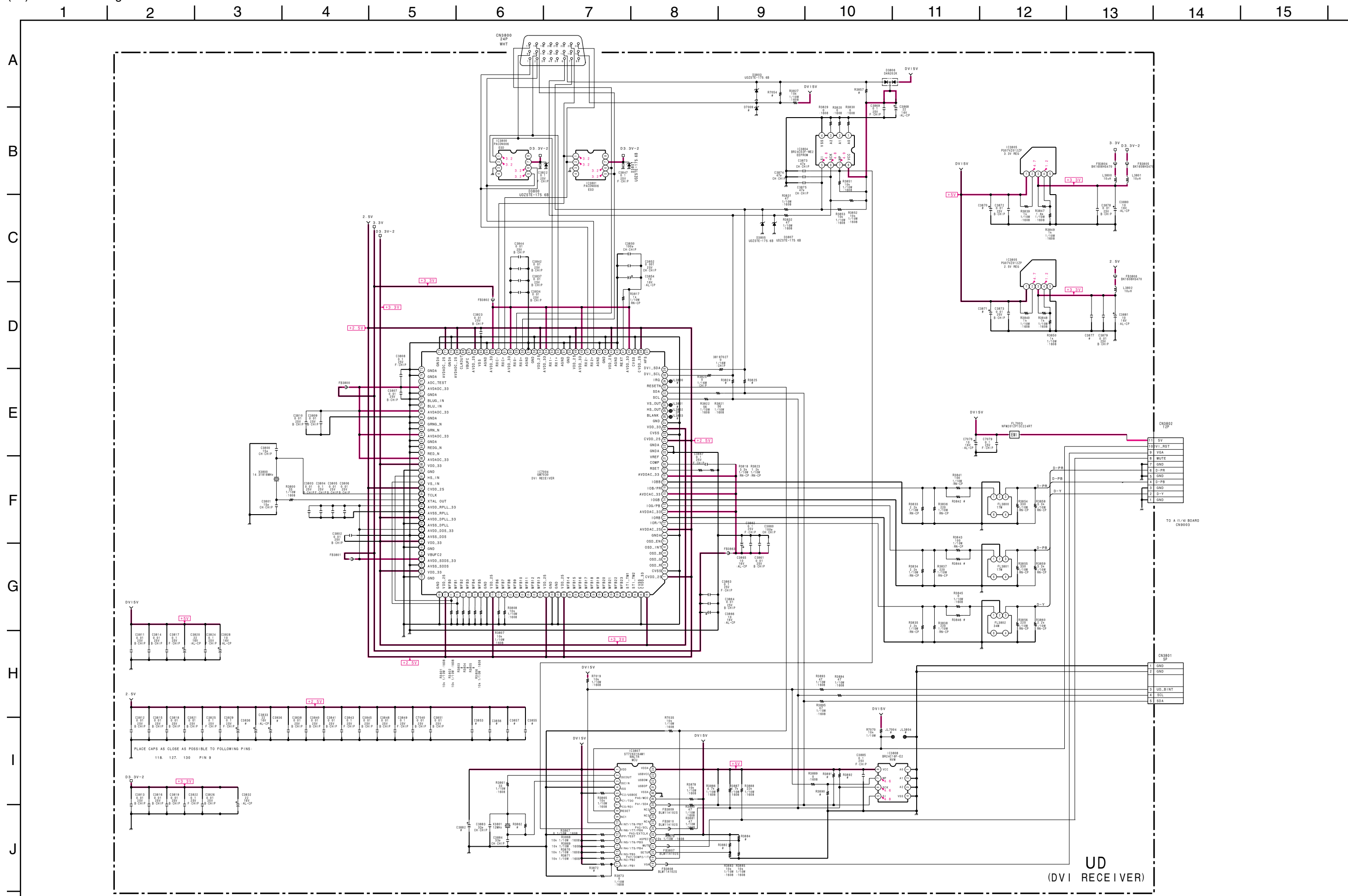


<COMPONENT SIDE>



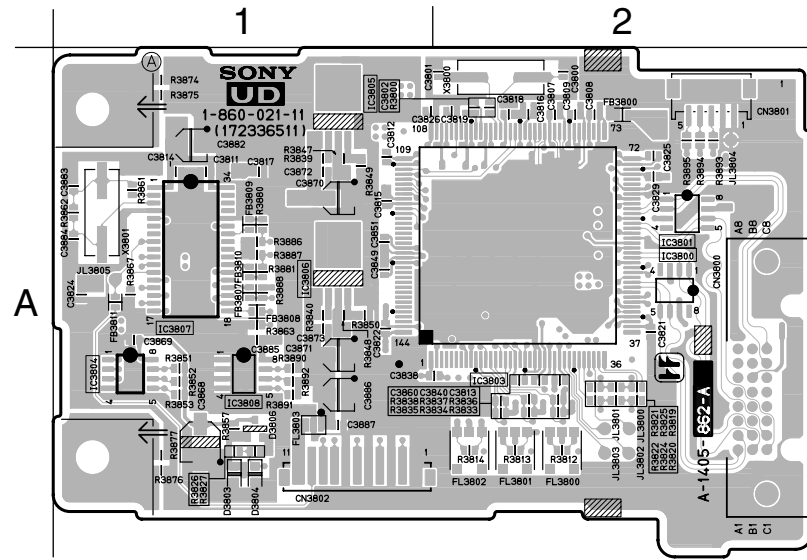
<CONDUCTOR SIDE>

(11) Schematic Diagram of UD Board

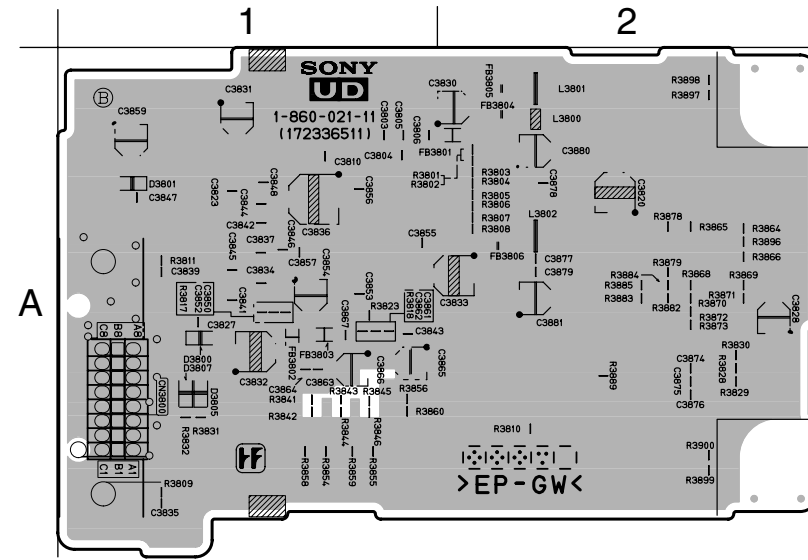


UD (DVI RECEIVER)

— UD BOARD —



<COMPONENT SIDE>

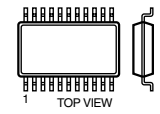


<CONDUCTOR SIDE>

3-5. SEMICONDUCTORS

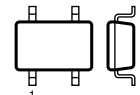
IC

AK4352VT-E2
CXD2085M-T4
CY27027ZCT
M52055FP
TC74VHC138FT(EL)
TC74VHC161FT(EL)



16Pin SOP

BA033FP-E2
BA05FP-E2
BA09FP-E2
S-80928CNMC-G8YT2G
TC7SZ125FU(TE85R)

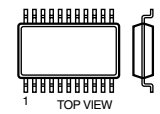


5Pin CHIP

BA05T
BA09T

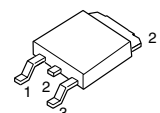


BA10358FV-E2
BA10393F-E2
BR24C02F-WE2
BR24C16F-E2
LM75CIMX-3
LMH6658MMX/J5000172
M24C02-WMN6T(A)
M24C64-WMN6T(B)
MM1096AFF
NJM2521V(TE2)
NJM3414AV(TE2)
NJM4558V-TE2
PACDN006S

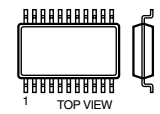


8Pin SOP

BA18BC0FP-E2
BA25BC0FP-E2

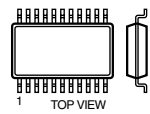


BD3869AF-E2



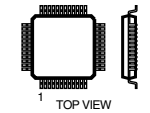
18Pin SOP

BD9766FV-E2
OZ967SN-B-0-T2



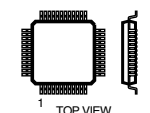
28Pin SOP

CXA2089Q-T6
CXA2171AQ
NJM2700FJ1



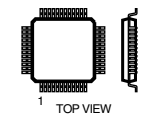
48Pin QFP

CXD2097BQ
CXD9756R



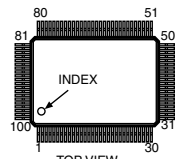
208Pin QFP

CXD3802BQ

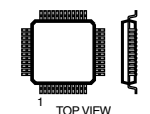


240Pin QFP

CXP964032-003R

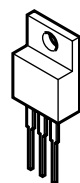


GM7030-H
HD64F2377VFQ33V-AT2U1000



144Pin QFP

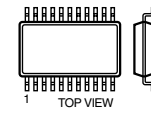
L88M05T-FA-TL



TL431BCLPRA

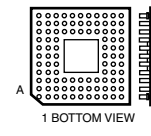


MBM29LV160BE-90TN-AT2UC-01
MX29LV800ATTC-70G-YSZ-1



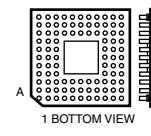
48Pin SOP

MB93491



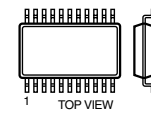
176Pin PGA

MB93401A



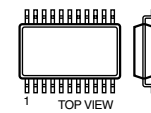
288Pin PGA

MCZ3001UB



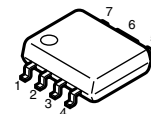
24Pin SOP

MC74LVX00DTR2
SN74HCT02APWR
SN74LV132APWR
SN74LVC74APWR-12
TLC2933IPWR-12

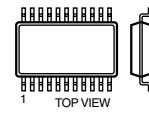


14Pin SOP

MM1561JFBE

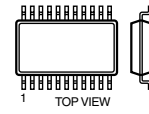


MSM56V16160F-10TS-K
MSM56V16160F-8T3FM1



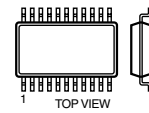
50Pin SOP

MT48LC2M32B2TG-6-Y94W



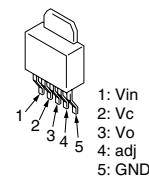
86Pin SOP

MT48LC8M16A2TG-75-Y95W



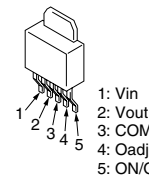
54Pin SOP

PQ070XZ01ZP
PQ07VZ012ZP



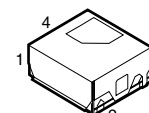
1: Vin
2: Vc
3: Vo
4: adj
5: GND

PQ1CZ41H2ZPH

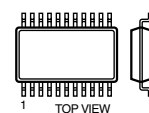


1: Vin
2: Vout
3: COM
4: Oadj
5: ON/OFF

RS-20

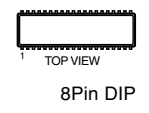


SN74ALVCH16823DGGR
THC63LVDM83R-T



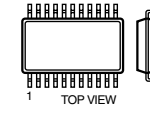
56Pin SOP

STR-A6459



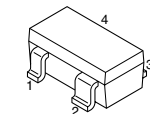
8Pin DIP

ST72631K4M1/NNLTR

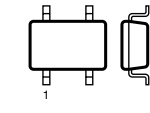


34Pin SOP

S-80822CNNB-B8HT2G
S-80829CNNB-B8OT2G

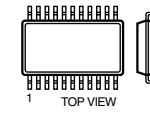


TK11250CMCL



6Pin CHIP

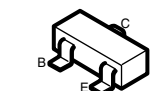
TPS5120DBTR



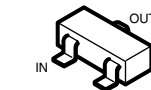
30Pin SOP

TRANSISTOR

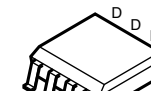
DTA114EUAFT106
DTA114YE-TL
DTA143EUA-T106
DTA144EE
DTA144EE-TL
DTC114EUA-T106
DTC144EE
DTC144EE-TL
DTC314TK-T-146
MSD601-RT1
MUN5213T1
2PA1576R-115
2PC4081R-115
2PD601AR-115
2SA1037AK-T146-QR
2SA1037AK-T146-R
2SA1226-E4
2SA1226-T1E3E4
2SB709A-QRS-TX
2SC1623-L5L6
2SC2412K-T-146-QR
2SC4178-F13F14-T1
2SC4178-F14
2SC4617R
2SC4617TL-QR
2SD601A-Q-TX



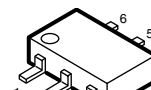
DTC114EU
DTC114EUAFT106



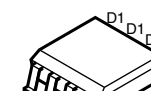
FDS4435A
FDS5690
FDS6690A
HAT2071R-EL
UPA1716G-E2



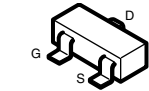
HN1B01FU-TE85R



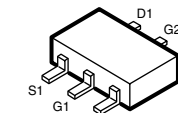
IRF7901D1-TR



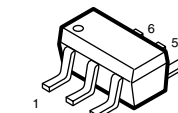
SI2301DS-T1
SI2304DS-T1
2SK1828
2SK1828TE85L
2SK3018-T106



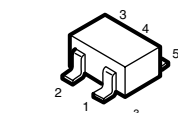
SSM6N15FU(TE85R)



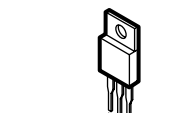
UMH2NL02TN



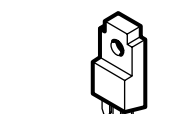
UMW1NTR



2SD2012



2SD2061-E

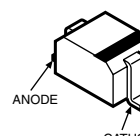


DIODE

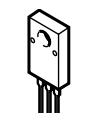
DAN202K
DAN202K-T-146



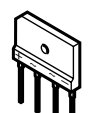
DTZ10B
HZU16B2TRF
HZU4.7B3TRF
MA111-TX
MMDL914T1
PDZ10B-115
RD5.6SB-T1
UDZSTE-1710B
UDZSTE-1713B
UDZSTE-1715B
UDZSTE-1736B
UDZSTE-175.1B
UDZSTE-175.6B
UDZSTE-179.1B
1SS355TE-17



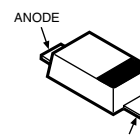
D10SC4M



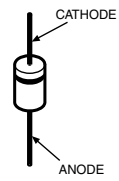
D4SB60L



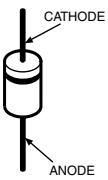
EC31QS03L-TE12L
M1FL20U-4063
RB160M-30TR



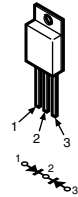
ERA22-08
ERA22-08TP3



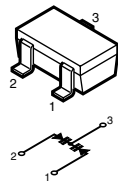
UF4005PKG23



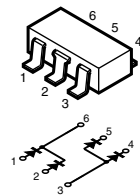
FCH10A06



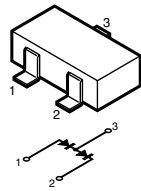
1PS184-115



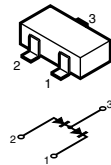
HN1D03FU-TE85L
HN1D03FU-TE85R



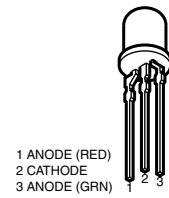
1SS302
1SS302-TE85L



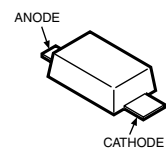
MA153-TX
1PS302
1SS226



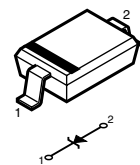
SMLU12D16W



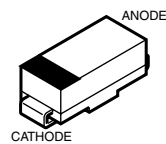
M1FS4-4063



MM3Z10VT1
MM3Z13VT1
MM3Z2V4T1
MM3Z5V6ST1



PTZ-TE25-13A
PTZ-TE25-3.9B
PTZ-TE25-5.6B
RB063L-30TE25



SECTION 4 EXPLODED VIEWS

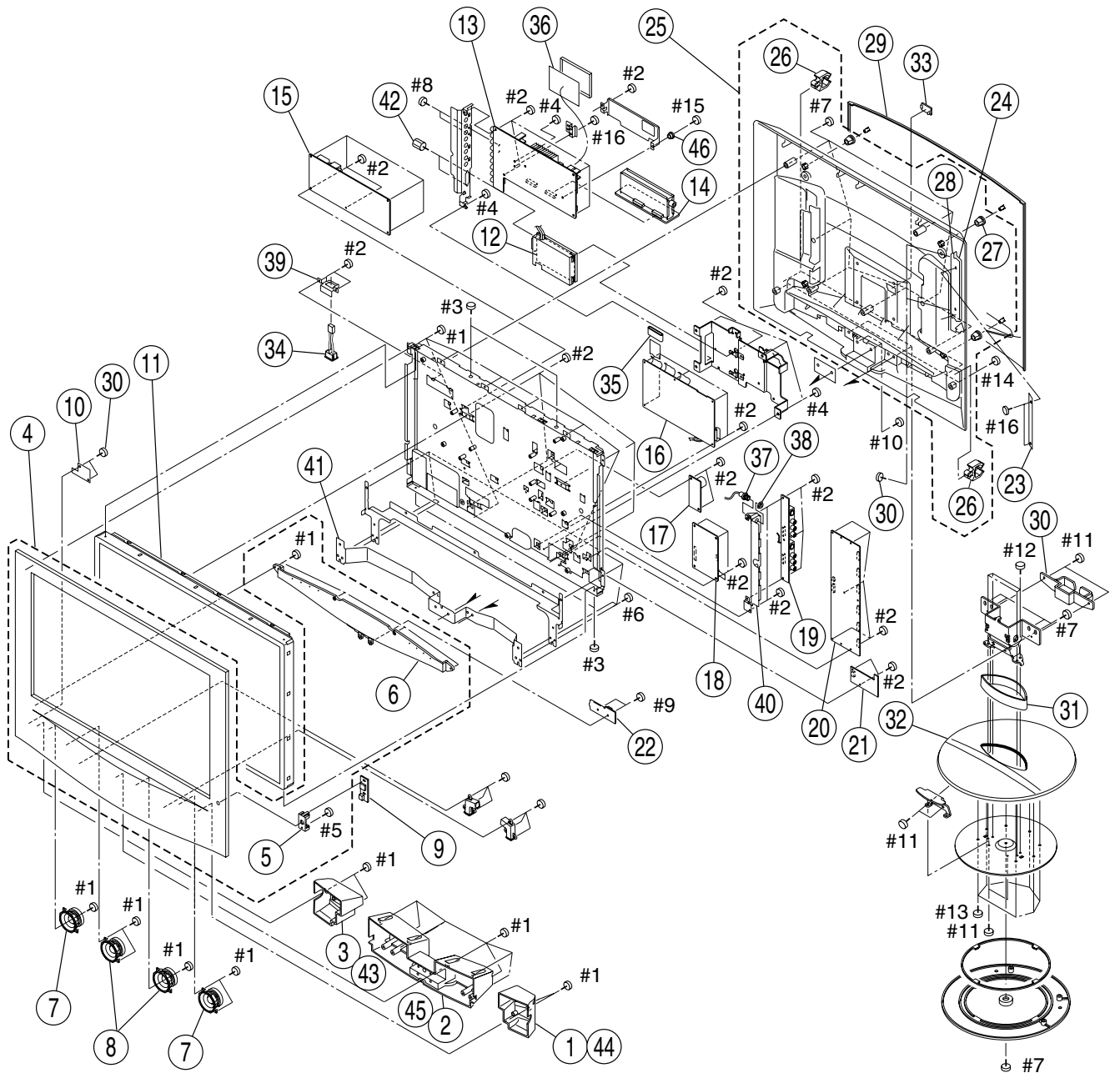
NOTE:

The components identified \triangle marked are critical for safety.
Replace only with the part number specified.

Les composants identifiés par la marque \triangle sont critiques pour la sécurité.
Ne les remplacer que par une pièce portant le numéro spécifié.

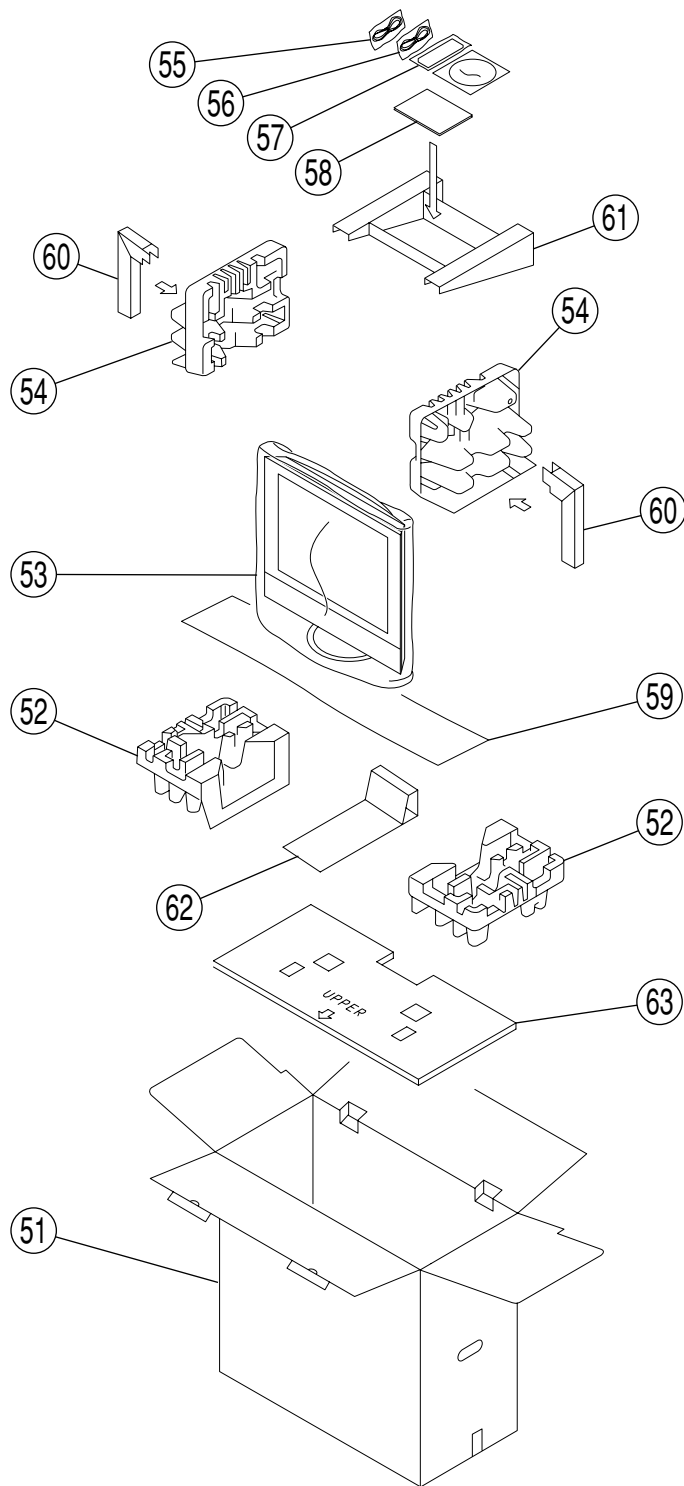
- Items with no part number and no description are not stocked because they are seldom required for routine service.
- The construction parts of an assembled part are indicated with a collation number in the remark column.
- Items marked " * " are not stocked since they are seldom required for routine service. Some delay should be anticipated when ordering these items.

4-1. CHASSIS



REF. No.	PART No.	DESCRIPTIONRE	MARK	REF. No.	PART No.	DESCRIPTIONRE	MARK
1	X-4041-591-3	BOX,SPEAKER ASSY(R)		31	4-095-172-21	COVER,STAND,TOP	
2	X-4041-592-3	BOX,ASSY,WOOFER 23		32	4-095-169-21	COVER,STAND	
3	X-4041-590-3	BOX,SPEAKER ASSY(L)		33	4-094-922-12	COVER,ESC	
4	X-4042-413-1	CABINET ASSY,FRONT	5, 6	34	1-818-024-11	AC INRET ASSY	
5	* 4-095-254-01	LIGHT GIDE		35	1-500-418-11	CORE	
6	4-095-268-21	PANEL,CLEAR(23 INCH)		36	* 4-095-199-01	SEET A RADIATION	
7	1-825-498-11	LOUDSPEAKER(5 INCH)		37	1-827-467-11	CONNECTION CODE	
8	1-825-499-11	LOUDSPEAKER(5 INCH)		38	3-682-691-21	NUT, WASHER HEXAGON	
9	* A-1405-861-A	H4 MOUNT		39	* X-4041-844-1	BRACKET,TERMINAL C ASSY	
10	* A-1405-859-A	H2 MOUNT		40	* X-4041-845-2	BRACKET,TERMINAL A ASSY	
11	* 1-805-290-21	LCD PANEL		41	* X-4041-864-3	HINGE SUPPORT UPPER 23 ASSY	
12	A-1405-862-A	UD MOUNT		42	4-635-966-01	SCREW (HEX)	
13	* A-1410-484-A	A MOUNT		43	* 4-095-269-02	SPEAKER BOX (L) (23INCH)	
14	* A-1405-855-A	TU MOUNT		44	* 4-095-243-02	SPEAKER BOX (R) (23INCH)	
15	* A-1405-854-A	G COMPLE		45	* 4-095-244-02	WOOFER BOX (23INCH)	
16	* A-1410-485-A	B COMPLE		46	* 2-371-561-01	BUSHING (P), INSULATING	
17	* A-1405-335-A	MSB MOUNT		#1	7-685-647-79	SCREW+BVTP 3X10,TYPE 2,IT-3	
18	* A-1410-489-A	MS MOUNT		#2	7-685-871-01	SCREW+BVTT 3X6	
19	* A-1405-860-A	U1 MOUNT		#3	7-682-949-01	SCREW+PSW 3X10	
20	* A-1405-110-A	D3 MOUNT		#4	7-682-161-01	SCREW+BVTP3	
21	* A-1405-109-A	MSX MOUNT		#5	7-685-645-79	SCREW+BVTP3X6,TYPE 2,IT-3	
22	* A-1405-228-A	H5 MOUNT		#6	7-685-649-79	SCREW+BVTP 3X14,TYPE 2,IT-3	
23	* A-1405-858-A	H1 MOUNT		#7	7-682-663-09	SCREW+PS 4X12	
24	4-095-264-21	COVER,MULTIBOTTON		#8	7-685-646-79	SCREW+BVTP 3X8,TYPE 2,IT-3	
25	X-4042-414-1	CABINET ASSY,REAR 23	26-28	#9	7-685-648-79	SCREW+BVTP 3X12,TYPE 2,IT-3	
26	4-098-971-01	SIDE CLAMP		#10	7-685-651-79	SCREW+BVTP 3X20,TYPE 2,IT-3	
27	4-095-322-01	BUSHING,RUBBER		#11	7-682-546-09	SCREW+B 3X5	
28	X-4042-507-1	ESCUTCHEON MS ASSY		#12	7-682-948-01	SCREW+PSW 3X8	
29	X-4042-540-1	COVER,23 ASSY,REAR		#13	7-685-246-19	SCREW+KTP 3X8,TYPE 2,NON-SLIT	
30	3-318-203-72	SCREW+B1.7X5,TAPPING		#14	7-685-650-79	SCREW+BVTP 3X16,TYPE 2,IT-3	
				#15	7-685-872-09	SCREW+BVTT 3X8	
				#16	7-685-645-79	SCREW+BVTP 3X6,TYPE 2,IT-3	

4-2. PACKING MATERIALS



REF. No.	PART No.	DESCRIPTIONRE	MARK	REF. No.	PART No.	DESCRIPTIONRE	MARK
51	* 4-099-788-01	CARTON,INDIVIDUAL		58	4-099-434-11	MANUAL INSTRUCTION	
52	* 4-095-223-01	CUSHION,LOWER 23			4-099-434-21	MANUAL INSTRUCTION	
53	* 4-101-088-01	BAG,PROTECTION			4-099-434-31	MANUAL INSTRUCTION	
54	* 4-095-224-01	CUSHION,UPPER 23		59	* 4-220-066-04	GUARANTEE (FOR Canada)	
55	1-757-319-52	POWER-SUPPLY CORD (U/D)		60	4-096-132-01	REINFORCEMENT PAD	
56	1-827-804-11	POWER-SUPPLY CORD		61	4-096-135-01	ACCESSORIES BOX	
57	1-478-382-11	STANDARD TYPE COMMANDER (RM-Y1105)		62	* 4-100-965-01	STAND SUPPORT	
				63	* 4-100-964-01	BOTTOM SHEET	

SECTION 5 ELECTRICAL PARTS LIST

NOTE:

The components identified \triangle marked are critical for safety.
Replace only with the part number specified.

Les composants identifiés par la marque \triangle sont critiques pour la sécurité.
Ne les remplacer que par une pièce portant le numéro spécifié.

When indicating parts by reference number, please include the board name.

- All variable and adjustable resistors have characteristic curve B, unless otherwise noted.
- Items marked " * " are not stocked since they are seldom required for routine service. Some delay should be anticipated when ordering these items.

RESISTORS

- All resistors are in ohms
- F : nonflammable

No.	#	Board	Type	△/*	Ref. No.	Part No.	Description	Remarks-1	Remarks-2
1		MSX	CAPACITOR		C4301	1-164-156-11	CERAMIC CHIP 0.1UF 25V		
2		MSX	CAPACITOR		C4302	1-164-156-11	CERAMIC CHIP 0.1UF 25V		
3		MSX	CAPACITOR		C4303	1-164-156-11	CERAMIC CHIP 0.1UF 25V		
4		MSX	CAPACITOR		C4304	1-119-667-11	CERAMIC CHIP 22UF 10V		
5		MSX	CAPACITOR		C4305	1-164-156-11	CERAMIC CHIP 0.1UF 25V		
6		MSX	CONNECTOR		CN4301	1-784-862-21	CONNECTOR,FFC(LIF(NON-ZIF))10P		
7		MSX	CONNECTOR	*	CN4302	1-816-402-12	CONNECTOR, MEMORY STICK		
8		MSX	DIODE		D4301	6-500-348-01	DIODE KPA-3010ID-GEC		
9		MSX	DIODE		D4302	8-719-024-77	DIODE HN1D03FU-TE85L		
10		MSX	DIODE		D4303	8-719-024-77	DIODE HN1D03FU-TE85L		
11		MSX	FERRITE BEAD		FB4301	1-414-445-11	FERRITE 0UH		
12		MSX	TRANSISTOR		Q4301	6-550-076-01	TRANSISTOR MUN5213T1		
13		MSX	TRANSISTOR		Q4302	6-550-586-01	TRANSISTOR 2PA1576R-115		
14		MSX	TRANSISTOR		Q4303	6-550-586-01	TRANSISTOR 2PA1576R-115		
15		MSX	RESISTOR		R4301	1-216-833-11	METAL CHIP 10K 5% 1/10W		
16		MSX	RESISTOR		R4302	1-216-805-11	METAL CHIP 47 5% 1/10W		
17		MSX	RESISTOR		R4303	1-216-809-11	METAL CHIP 100 5% 1/10W		
18		MSX	RESISTOR		R4304	1-216-845-11	METAL CHIP 100K 5% 1/10W		
19		MSX	RESISTOR		R4305	1-216-821-11	METAL CHIP 1K 5% 1/10W		
20		MSX	RESISTOR		R4306	1-216-864-11	SHORT CHIP 0		
21		MSX	RESISTOR		R4307	1-216-864-11	SHORT CHIP 0		
22		MSX	RESISTOR		R4308	1-216-864-11	SHORT CHIP 0		
23		MSX	RESISTOR		R4309	1-216-864-11	SHORT CHIP 0		
24		MSX	RESISTOR		R4310	1-216-825-11	METAL CHIP 2.2K 5% 1/10W		
25		D3	CAPACITOR		C8500	1-135-960-91	CERAMIC CHIP 10UF 10% 25V		
26		D3	CAPACITOR		C8501	1-135-960-91	CERAMIC CHIP 10UF 10% 25V		
27		D3	CAPACITOR		C8503	1-165-176-11	CERAMIC CHIP 0.047UF 10.00% 16V		
28		D3	CAPACITOR		C8504	1-162-970-11	CERAMIC CHIP 0.01UF 10.00% 25V		
29		D3	CAPACITOR		C8508	1-164-677-11	CERAMIC CHIP 0.033UF 10.00% 16V		
30		D3	CAPACITOR		C8509	1-162-970-11	CERAMIC CHIP 0.01UF 10.00% 25V		
31		D3	CAPACITOR		C8510	1-135-960-91	CERAMIC CHIP 10UF 10% 25V		
32		D3	CAPACITOR		C8511	1-135-960-91	CERAMIC CHIP 10UF 10% 25V		
33		D3	CAPACITOR		C8514	1-162-970-11	CERAMIC CHIP 0.01UF 10.00% 25V		
34		D3	CAPACITOR		C8516	1-165-176-11	CERAMIC CHIP 0.047UF 10.00% 16V		
35		D3	CAPACITOR		C8518	1-164-677-11	CERAMIC CHIP 0.033UF 10.00% 16V		
36		D3	CAPACITOR		C8519	1-162-970-11	CERAMIC CHIP 0.01UF 10.00% 25V		
37		D3	CAPACITOR		C8520	1-135-960-91	CERAMIC CHIP 10UF 10% 25V		
38		D3	CAPACITOR		C8521	1-135-960-91	CERAMIC CHIP 10UF 10% 25V		
39		D3	CAPACITOR		C8523	1-165-176-11	CERAMIC CHIP 0.047UF 10.00% 16V		
40		D3	CAPACITOR		C8524	1-162-970-11	CERAMIC CHIP 0.01UF 10.00% 25V		
41		D3	CAPACITOR		C8528	1-164-677-11	CERAMIC CHIP 0.033UF 10.00% 16V		
42		D3	CAPACITOR		C8529	1-162-970-11	CERAMIC CHIP 0.01UF 10.00% 25V		
43		D3	CAPACITOR		C8530	1-135-960-91	CERAMIC CHIP 10UF 10% 25V		
44		D3	CAPACITOR		C8531	1-135-960-91	CERAMIC CHIP 10UF 10% 25V		
45		D3	CAPACITOR		C8534	1-162-970-11	CERAMIC CHIP 0.01UF 10.00% 25V		
46		D3	CAPACITOR		C8536	1-165-176-11	CERAMIC CHIP 0.047UF 10.00% 16V		
47		D3	CAPACITOR		C8538	1-164-677-11	CERAMIC CHIP 0.033UF 10.00% 16V		
48		D3	CAPACITOR		C8539	1-162-970-11	CERAMIC CHIP 0.01UF 10.00% 25V		
49		D3	CAPACITOR		C8540	1-135-960-91	CERAMIC CHIP 10UF 10% 25V		
50		D3	CAPACITOR		C8541	1-135-960-91	CERAMIC CHIP 10UF 10% 25V		
51		D3	CAPACITOR		C8543	1-165-176-11	CERAMIC CHIP 0.047UF 10.00% 16V		
52		D3	CAPACITOR		C8544	1-162-970-11	CERAMIC CHIP 0.01UF 10.00% 25V		
53		D3	CAPACITOR		C8548	1-164-677-11	CERAMIC CHIP 0.033UF 10.00% 16V		
54		D3	CAPACITOR		C8549	1-162-970-11	CERAMIC CHIP 0.01UF 10.00% 25V		
55		D3	CAPACITOR		C8550	1-135-960-91	CERAMIC CHIP 10UF 10% 25V		
56		D3	CAPACITOR		C8551	1-135-960-91	CERAMIC CHIP 10UF 10% 25V		
57		D3	CAPACITOR		C8554	1-162-970-11	CERAMIC CHIP 0.01UF 10.00% 25V		
58		D3	CAPACITOR		C8556	1-165-176-11	CERAMIC CHIP 0.047UF 10.00% 16V		
59		D3	CAPACITOR		C8558	1-164-677-11	CERAMIC CHIP 0.033UF 10.00% 16V		
60		D3	CAPACITOR		C8559	1-162-970-11	CERAMIC CHIP 0.01UF 10.00% 25V		
61		D3	CAPACITOR		C8600	1-125-838-11	CERAMIC CHIP 2.2UF 10% 6.3V		
62		D3	CAPACITOR		C8601	1-125-838-11	CERAMIC CHIP 2.2UF 10% 6.3V		
63		D3	CAPACITOR		C8602	1-164-230-11	CERAMIC CHIP 220PF 5.00% 50V		
64		D3	CAPACITOR		C8604	1-162-970-11	CERAMIC CHIP 0.01UF 10.00% 25V		
65		D3	CAPACITOR		C8607	1-107-826-11	CERAMIC CHIP 0.1UF 10.00% 16V		
66		D3	CAPACITOR		C8608	1-162-970-11	CERAMIC CHIP 0.01UF 10.00% 25V		
67		D3	CAPACITOR		C8620	1-125-838-11	CERAMIC CHIP 2.2UF 10% 6.3V		
68		D3	CAPACITOR		C8621	1-125-838-11	CERAMIC CHIP 2.2UF 10% 6.3V		
69		D3	CAPACITOR		C8622	1-164-230-11	CERAMIC CHIP 220PF 5.00% 50V		
70		D3	CAPACITOR		C8624	1-162-970-11	CERAMIC CHIP 0.01UF 10.00% 25V		
71		D3	CAPACITOR		C8627	1-107-826-11	CERAMIC CHIP 0.1UF 10.00% 16V		
72		D3	CAPACITOR		C8628	1-162-970-11	CERAMIC CHIP 0.01UF 10.00% 25V		
73		D3	CAPACITOR		C8640	1-125-838-11	CERAMIC CHIP 2.2UF 10% 6.3V		

No.	#	Board	Type	Δ / [*]	Ref. No.	Part No.	Description	Remarks-1	Remarks-2
74		D3	CAPACITOR		C8641	1-125-838-11	CERAMIC CHIP 2.2UF 10% 6.3V		
75		D3	CAPACITOR		C8642	1-164-230-11	CERAMIC CHIP 220PF 5.00% 50V		
76		D3	CAPACITOR		C8644	1-162-970-11	CERAMIC CHIP 0.01UF 10.00% 25V		
77		D3	CAPACITOR		C8647	1-107-826-11	CERAMIC CHIP 0.1UF 10.00% 16V		
78		D3	CAPACITOR		C8648	1-162-970-11	CERAMIC CHIP 0.01UF 10.00% 25V		
79		D3	CAPACITOR		C8700	1-107-826-11	CERAMIC CHIP 0.1UF 10.00% 16V		
80		D3	CAPACITOR		C8701	1-125-837-91	CERAMIC CHIP 1UF 10% 6.3V		
81		D3	CAPACITOR		C8702	1-107-826-11	CERAMIC CHIP 0.1UF 10.00% 16V		
82		D3	CAPACITOR		C8703	1-107-826-11	CERAMIC CHIP 0.1UF 10.00% 16V		
83		D3	CAPACITOR		C8704	1-164-677-11	CERAMIC CHIP 0.033UF 10.00% 16V		
84		D3	CAPACITOR		C8705	1-107-826-11	CERAMIC CHIP 0.1UF 10.00% 16V		
85		D3	CAPACITOR		C8708	1-125-838-11	CERAMIC CHIP 2.2UF 10% 6.3V		
86		D3	CAPACITOR		C8709	1-107-826-11	CERAMIC CHIP 0.1UF 10.00% 16V		
87		D3	CAPACITOR		C8710	1-127-573-11	CERAMIC CHIP 1UF 10% 16V		
88		D3	CAPACITOR		C8747	1-162-960-11	CERAMIC CHIP 220PF 10.00% 50V		
89		D3	CAPACITOR		C8900	1-110-563-11	CERAMIC CHIP 0.068UF 10.00% 16V		
90		D3	CAPACITOR		C8901	1-117-863-11	CERAMIC CHIP 0.47UF 10.00% 6.3V		
91		D3	CAPACITOR		C8903	1-164-677-11	CERAMIC CHIP 0.033UF 10.00% 16V		
92		D3	CAPACITOR		C8904	1-127-715-91	CERAMIC CHIP 0.22UF 10% 16V		
93		D3	CAPACITOR		C8913	1-164-677-11	CERAMIC CHIP 0.033UF 10.00% 16V		
94		D3	CAPACITOR		C8920	1-110-563-11	CERAMIC CHIP 0.068UF 10.00% 16V		
95		D3	CAPACITOR		C8921	1-117-863-11	CERAMIC CHIP 0.47UF 10.00% 6.3V		
96		D3	CAPACITOR		C8923	1-164-677-11	CERAMIC CHIP 0.033UF 10.00% 16V		
97		D3	CAPACITOR		C8924	1-127-715-91	CERAMIC CHIP 0.22UF 10% 16V		
98		D3	CAPACITOR		C8933	1-164-677-11	CERAMIC CHIP 0.033UF 10.00% 16V		
99		D3	CAPACITOR		C8940	1-110-563-11	CERAMIC CHIP 0.068UF 10.00% 16V		
100		D3	CAPACITOR		C8941	1-117-863-11	CERAMIC CHIP 0.47UF 10.00% 6.3V		
101		D3	CAPACITOR		C8943	1-164-677-11	CERAMIC CHIP 0.033UF 10.00% 16V		
102		D3	CAPACITOR		C8944	1-127-715-91	CERAMIC CHIP 0.22UF 10% 16V		
103		D3	CAPACITOR		C8953	1-164-677-11	CERAMIC CHIP 0.033UF 10.00% 16V		
104		D3	CONNECTOR	*	CN8500	1-817-720-21	PIN, CONNECTOR (PC BOARD) 2P		
105		D3	CONNECTOR	*	CN8510	1-817-720-21	PIN, CONNECTOR (PC BOARD) 2P		
106		D3	CONNECTOR	*	CN8520	1-817-720-21	PIN, CONNECTOR (PC BOARD) 2P		
107		D3	CONNECTOR	*	CN8530	1-817-720-21	PIN, CONNECTOR (PC BOARD) 2P		
108		D3	CONNECTOR	*	CN8540	1-817-720-21	PIN, CONNECTOR (PC BOARD) 2P		
109		D3	CONNECTOR	*	CN8550	1-817-720-21	PIN, CONNECTOR (PC BOARD) 2P		
110		D3	CONNECTOR	*	CN8700	1-764-643-21	PIN, CONNECTOR (SMD) 11P		
111		D3	CONNECTOR		CN8701	1-580-057-11	PIN, CONNECTOR (SMD) 4P		
112		D3	DIODE		D8300	8-719-800-76	DIODE 1SS226		
113		D3	DIODE		D8301	8-719-800-76	DIODE 1SS226		
114		D3	DIODE		D8302	8-719-800-76	DIODE 1SS226		
115		D3	DIODE		D8303	8-719-800-76	DIODE 1SS226		
116		D3	DIODE		D8304	8-719-404-50	DIODE MA111-TX		
117		D3	DIODE		D8305	8-719-404-50	DIODE MA111-TX		
118		D3	DIODE		D8310	8-719-800-76	DIODE 1SS226		
119		D3	DIODE		D8311	8-719-800-76	DIODE 1SS226		
120		D3	DIODE		D8312	8-719-800-76	DIODE 1SS226		
121		D3	DIODE		D8313	8-719-800-76	DIODE 1SS226		
122		D3	DIODE		D8314	8-719-404-50	DIODE MA111-TX		
123		D3	DIODE		D8315	8-719-404-50	DIODE MA111-TX		
124		D3	DIODE		D8320	8-719-800-76	DIODE 1SS226		
125		D3	DIODE		D8321	8-719-800-76	DIODE 1SS226		
126		D3	DIODE		D8322	8-719-800-76	DIODE 1SS226		
127		D3	DIODE		D8323	8-719-800-76	DIODE 1SS226		
128		D3	DIODE		D8324	8-719-404-50	DIODE MA111-TX		
129		D3	DIODE		D8325	8-719-404-50	DIODE MA111-TX		
130		D3	DIODE		D8330	8-719-800-76	DIODE 1SS226		
131		D3	DIODE		D8331	8-719-800-76	DIODE 1SS226		
132		D3	DIODE		D8332	8-719-800-76	DIODE 1SS226		
133		D3	DIODE		D8333	8-719-800-76	DIODE 1SS226		
134		D3	DIODE		D8334	8-719-404-50	DIODE MA111-TX		
135		D3	DIODE		D8335	8-719-404-50	DIODE MA111-TX		
136		D3	DIODE		D8340	8-719-800-76	DIODE 1SS226		
137		D3	DIODE		D8341	8-719-800-76	DIODE 1SS226		
138		D3	DIODE		D8342	8-719-800-76	DIODE 1SS226		
139		D3	DIODE		D8343	8-719-800-76	DIODE 1SS226		
140		D3	DIODE		D8344	8-719-404-50	DIODE MA111-TX		
141		D3	DIODE		D8345	8-719-404-50	DIODE MA111-TX		
142		D3	DIODE		D8350	8-719-800-76	DIODE 1SS226		
143		D3	DIODE		D8351	8-719-800-76	DIODE 1SS226		
144		D3	DIODE		D8352	8-719-800-76	DIODE 1SS226		
145		D3	DIODE		D8353	8-719-800-76	DIODE 1SS226		
146		D3	DIODE		D8354	8-719-404-50	DIODE MA111-TX		

No.	#	Board	Type	△/*	Ref. No.	Part No.	Description	Remarks-1	Remarks-2
147		D3	DIODE		D8355	8-719-404-50	DIODE MA111-TX		
148		D3	DIODE		D8506	8-719-044-92	DIODE HZU4.7B3TRF		
149		D3	DIODE		D8507	8-719-404-50	DIODE MA111-TX		
150		D3	DIODE		D8516	8-719-044-92	DIODE HZU4.7B3TRF		
151		D3	DIODE		D8517	8-719-404-50	DIODE MA111-TX		
152		D3	DIODE		D8526	8-719-044-92	DIODE HZU4.7B3TRF		
153		D3	DIODE		D8527	8-719-404-50	DIODE MA111-TX		
154		D3	DIODE		D8536	8-719-044-92	DIODE HZU4.7B3TRF		
155		D3	DIODE		D8537	8-719-404-50	DIODE MA111-TX		
156		D3	DIODE		D8546	8-719-044-92	DIODE HZU4.7B3TRF		
157		D3	DIODE		D8547	8-719-404-50	DIODE MA111-TX		
158		D3	DIODE		D8556	8-719-044-92	DIODE HZU4.7B3TRF		
159		D3	DIODE		D8557	8-719-404-50	DIODE MA111-TX		
160		D3	DIODE		D8607	8-719-083-73	DIODE UDZSTE-1736B		
161		D3	DIODE		D8613	8-719-404-50	DIODE MA111-TX		
162		D3	DIODE		D8627	8-719-083-73	DIODE UDZSTE-1736B		
163		D3	DIODE		D8633	8-719-404-50	DIODE MA111-TX		
164		D3	DIODE		D8647	8-719-083-73	DIODE UDZSTE-1736B		
165		D3	DIODE		D8653	8-719-404-50	DIODE MA111-TX		
166		D3	DIODE		D8700	8-719-069-60	DIODE UDZSTE-179.1B		
167		D3	DIODE		D8701	8-719-404-50	DIODE MA111-TX		
168		D3	DIODE		D8704	6-500-295-01	DIODE PTZ-TE25-5.6B		
169		D3	DIODE		D8705	8-719-404-50	DIODE MA111-TX		
170		D3	DIODE		D8900	8-719-404-50	DIODE MA111-TX		
171		D3	DIODE		D8910	8-719-404-50	DIODE MA111-TX		
172		D3	DIODE		D8920	8-719-404-50	DIODE MA111-TX		
173		D3	DIODE		D8930	8-719-404-50	DIODE MA111-TX		
174		D3	DIODE		D8940	8-719-404-50	DIODE MA111-TX		
175		D3	DIODE		D8950	8-719-404-50	DIODE MA111-TX		
176		D3	FUSE	△	F8500	1-576-736-21	IC LINK 3.15A 24V		
177		D3	FUSE	△	F8520	1-576-736-21	IC LINK 3.15A 24V		
178		D3	FUSE	△	F8540	1-576-736-21	IC LINK 3.15A 24V		
179		D3	IC		IC8500	6-702-626-01	IC OZ967SN-B-0-T2		
180		D3	IC		IC8520	6-702-626-01	IC OZ967SN-B-0-T2		
181		D3	IC		IC8540	6-702-626-01	IC OZ967SN-B-0-T2		
182		D3	IC		IC8700	8-759-510-73	IC BA10393F-E2		
183		D3	IC		IC8701	8-759-524-07	IC TC74VHC138FT(EL)		
184		D3	IC		IC8702	8-759-524-17	IC TC74VHC161FT(EL)		
185		D3	IC		IC8703	6-702-938-01	IC TK11250CMCL		
186		D3	IC LINK	△	PS8701	1-576-122-21	IC LINK 0.4A 72V		
187		D3	TRANSISTOR		Q8500	6-550-652-01	TRANSISTOR FDS4435A		
188		D3	TRANSISTOR		Q8503	6-550-651-01	TRANSISTOR FDS5690		
189		D3	TRANSISTOR		Q8504	8-729-026-49	TRANSISTOR 2SA1037AK-T146-R		
190		D3	TRANSISTOR		Q8510	6-550-652-01	TRANSISTOR FDS4435A		
191		D3	TRANSISTOR		Q8513	6-550-651-01	TRANSISTOR FDS5690		
192		D3	TRANSISTOR		Q8514	8-729-026-49	TRANSISTOR 2SA1037AK-T146-R		
193		D3	TRANSISTOR		Q8520	6-550-652-01	TRANSISTOR FDS4435A		
194		D3	TRANSISTOR		Q8523	6-550-651-01	TRANSISTOR FDS5690		
195		D3	TRANSISTOR		Q8524	8-729-026-49	TRANSISTOR 2SA1037AK-T146-R		
196		D3	TRANSISTOR		Q8530	6-550-652-01	TRANSISTOR FDS4435A		
197		D3	TRANSISTOR		Q8533	6-550-651-01	TRANSISTOR FDS5690		
198		D3	TRANSISTOR		Q8534	8-729-026-49	TRANSISTOR 2SA1037AK-T146-R		
199		D3	TRANSISTOR		Q8540	6-550-652-01	TRANSISTOR FDS4435A		
200		D3	TRANSISTOR		Q8543	6-550-651-01	TRANSISTOR FDS5690		
201		D3	TRANSISTOR		Q8544	8-729-026-49	TRANSISTOR 2SA1037AK-T146-R		
202		D3	TRANSISTOR		Q8550	6-550-652-01	TRANSISTOR FDS4435A		
203		D3	TRANSISTOR		Q8553	6-550-651-01	TRANSISTOR FDS5690		
204		D3	TRANSISTOR		Q8554	8-729-026-49	TRANSISTOR 2SA1037AK-T146-R		
205		D3	TRANSISTOR		Q8608	8-729-025-28	TRANSISTOR 2SK1828		
206		D3	TRANSISTOR		Q8612	8-729-927-99	TRANSISTOR 2SC4617R		
207		D3	TRANSISTOR		Q8628	8-729-025-28	TRANSISTOR 2SK1828		
208		D3	TRANSISTOR		Q8632	8-729-927-99	TRANSISTOR 2SC4617R		
209		D3	TRANSISTOR		Q8648	8-729-025-28	TRANSISTOR 2SK1828		
210		D3	TRANSISTOR		Q8652	8-729-927-99	TRANSISTOR 2SC4617R		
211		D3	TRANSISTOR		Q8700	8-729-927-99	TRANSISTOR 2SC4617R		
212		D3	TRANSISTOR		Q8701	8-729-927-99	TRANSISTOR 2SC4617R		
213		D3	TRANSISTOR		Q8702	8-729-927-99	TRANSISTOR 2SC4617R		
214		D3	TRANSISTOR		Q8704	8-729-928-31	TRANSISTOR DTA114YE-TL		
215		D3	RESISTOR		R8300	1-216-837-11	METAL CHIP 22K 5% 1/10W		
216		D3	RESISTOR		R8301	1-216-837-11	METAL CHIP 22K 5% 1/10W		
217		D3	RESISTOR		R8302	1-218-685-11	METAL CHIP 510 0.5% 1/10W		
218		D3	RESISTOR		R8303	1-218-685-11	METAL CHIP 510 0.5% 1/10W		
219		D3	RESISTOR		R8304	1-216-849-11	METAL CHIP 220K 5% 1/10W		

No.	#	Board	Type	Δ / [*]	Ref. No.	Part No.	Description	Remarks-1	Remarks-2
220		D3	RESISTOR		R8305	1-216-849-11	METAL CHIP 220K 5% 1/10W		
221		D3	RESISTOR		R8306	1-218-679-11	METAL CHIP 300 0.5% 1/10W		
222		D3	RESISTOR		R8307	1-218-679-11	METAL CHIP 300 0.5% 1/10W		
223		D3	RESISTOR		R8308	1-218-685-11	METAL CHIP 510 0.5% 1/10W		
224		D3	RESISTOR		R8309	1-218-685-11	METAL CHIP 510 0.5% 1/10W		
225		D3	RESISTOR		R8310	1-216-837-11	METAL CHIP 22K 5% 1/10W		
226		D3	RESISTOR		R8311	1-216-837-11	METAL CHIP 22K 5% 1/10W		
227		D3	RESISTOR		R8312	1-218-685-11	METAL CHIP 510 0.5% 1/10W		
228		D3	RESISTOR		R8313	1-218-685-11	METAL CHIP 510 0.5% 1/10W		
229		D3	RESISTOR		R8314	1-216-849-11	METAL CHIP 220K 5% 1/10W		
230		D3	RESISTOR		R8315	1-216-849-11	METAL CHIP 220K 5% 1/10W		
231		D3	RESISTOR		R8316	1-218-679-11	METAL CHIP 300 0.5% 1/10W		
232		D3	RESISTOR		R8317	1-218-679-11	METAL CHIP 300 0.5% 1/10W		
233		D3	RESISTOR		R8318	1-218-685-11	METAL CHIP 510 0.5% 1/10W		
234		D3	RESISTOR		R8319	1-218-685-11	METAL CHIP 510 0.5% 1/10W		
235		D3	RESISTOR		R8320	1-216-837-11	METAL CHIP 22K 5% 1/10W		
236		D3	RESISTOR		R8321	1-216-837-11	METAL CHIP 22K 5% 1/10W		
237		D3	RESISTOR		R8322	1-218-685-11	METAL CHIP 510 0.5% 1/10W		
238		D3	RESISTOR		R8323	1-218-685-11	METAL CHIP 510 0.5% 1/10W		
239		D3	RESISTOR		R8324	1-216-849-11	METAL CHIP 220K 5% 1/10W		
240		D3	RESISTOR		R8325	1-216-849-11	METAL CHIP 220K 5% 1/10W		
241		D3	RESISTOR		R8326	1-218-679-11	METAL CHIP 300 0.5% 1/10W		
242		D3	RESISTOR		R8327	1-218-679-11	METAL CHIP 300 0.5% 1/10W		
243		D3	RESISTOR		R8328	1-218-685-11	METAL CHIP 510 0.5% 1/10W		
244		D3	RESISTOR		R8329	1-218-685-11	METAL CHIP 510 0.5% 1/10W		
245		D3	RESISTOR		R8330	1-216-837-11	METAL CHIP 22K 5% 1/10W		
246		D3	RESISTOR		R8331	1-216-837-11	METAL CHIP 22K 5% 1/10W		
247		D3	RESISTOR		R8332	1-218-685-11	METAL CHIP 510 0.5% 1/10W		
248		D3	RESISTOR		R8333	1-218-685-11	METAL CHIP 510 0.5% 1/10W		
249		D3	RESISTOR		R8334	1-216-849-11	METAL CHIP 220K 5% 1/10W		
250		D3	RESISTOR		R8335	1-216-849-11	METAL CHIP 220K 5% 1/10W		
251		D3	RESISTOR		R8336	1-218-679-11	METAL CHIP 300 0.5% 1/10W		
252		D3	RESISTOR		R8337	1-218-679-11	METAL CHIP 300 0.5% 1/10W		
253		D3	RESISTOR		R8338	1-218-685-11	METAL CHIP 510 0.5% 1/10W		
254		D3	RESISTOR		R8339	1-218-685-11	METAL CHIP 510 0.5% 1/10W		
255		D3	RESISTOR		R8340	1-216-837-11	METAL CHIP 22K 5% 1/10W		
256		D3	RESISTOR		R8341	1-216-837-11	METAL CHIP 22K 5% 1/10W		
257		D3	RESISTOR		R8342	1-218-685-11	METAL CHIP 510 0.5% 1/10W		
258		D3	RESISTOR		R8343	1-218-685-11	METAL CHIP 510 0.5% 1/10W		
259		D3	RESISTOR		R8344	1-216-849-11	METAL CHIP 220K 5% 1/10W		
260		D3	RESISTOR		R8345	1-216-849-11	METAL CHIP 220K 5% 1/10W		
261		D3	RESISTOR		R8346	1-218-679-11	METAL CHIP 300 0.5% 1/10W		
262		D3	RESISTOR		R8347	1-218-679-11	METAL CHIP 300 0.5% 1/10W		
263		D3	RESISTOR		R8348	1-218-685-11	METAL CHIP 510 0.5% 1/10W		
264		D3	RESISTOR		R8349	1-218-685-11	METAL CHIP 510 0.5% 1/10W		
265		D3	RESISTOR		R8350	1-216-837-11	METAL CHIP 22K 5% 1/10W		
266		D3	RESISTOR		R8351	1-216-837-11	METAL CHIP 22K 5% 1/10W		
267		D3	RESISTOR		R8352	1-218-685-11	METAL CHIP 510 0.5% 1/10W		
268		D3	RESISTOR		R8353	1-218-685-11	METAL CHIP 510 0.5% 1/10W		
269		D3	RESISTOR		R8354	1-216-849-11	METAL CHIP 220K 5% 1/10W		
270		D3	RESISTOR		R8355	1-216-849-11	METAL CHIP 220K 5% 1/10W		
271		D3	RESISTOR		R8356	1-218-679-11	METAL CHIP 300 0.5% 1/10W		
272		D3	RESISTOR		R8357	1-218-679-11	METAL CHIP 300 0.5% 1/10W		
273		D3	RESISTOR		R8358	1-218-685-11	METAL CHIP 510 0.5% 1/10W		
274		D3	RESISTOR		R8359	1-218-685-11	METAL CHIP 510 0.5% 1/10W		
275		D3	RESISTOR		R8500	1-216-793-11	METAL CHIP 4.7 5% 1/10W		
276		D3	RESISTOR		R8503	1-216-804-11	METAL CHIP 39 5% 1/10W		
277		D3	RESISTOR		R8504	1-220-397-11	METAL CHIP 4.7M 5% 1/10W		
278		D3	RESISTOR		R8505	1-218-733-11	METAL CHIP 51K 0.5% 1/10W		
279		D3	RESISTOR		R8506	1-218-272-11	METAL CHIP 5.1K 5% 1/10W		
280		D3	RESISTOR		R8507	1-218-718-11	METAL CHIP 12K 0.5% 1/10W		
281		D3	RESISTOR		R8508	1-216-839-11	METAL CHIP 33K 5% 1/10W		
282		D3	RESISTOR		R8509	1-216-845-11	METAL CHIP 100K 5% 1/10W		
283		D3	RESISTOR		R8510	1-216-793-11	METAL CHIP 4.7 5% 1/10W		
284		D3	RESISTOR		R8513	1-216-804-11	METAL CHIP 39 5% 1/10W		
285		D3	RESISTOR		R8514	1-220-397-11	METAL CHIP 4.7M 5% 1/10W		
286		D3	RESISTOR		R8515	1-218-733-11	METAL CHIP 51K 0.5% 1/10W		
287		D3	RESISTOR		R8516	1-218-272-11	METAL CHIP 5.1K 5% 1/10W		
288		D3	RESISTOR		R8517	1-218-718-11	METAL CHIP 12K 0.5% 1/10W		
289		D3	RESISTOR		R8518	1-216-839-11	METAL CHIP 33K 5% 1/10W		
290		D3	RESISTOR		R8519	1-216-845-11	METAL CHIP 100K 5% 1/10W		
291		D3	RESISTOR		R8520	1-216-793-11	METAL CHIP 4.7 5% 1/10W		
292		D3	RESISTOR		R8523	1-216-804-11	METAL CHIP 39 5% 1/10W		

No.	#	Board	Type	Δ / [*]	Ref. No.	Part No.	Description	Remarks-1	Remarks-2
293		D3	RESISTOR		R8524	1-220-397-11	METAL CHIP 4.7M 5% 1/10W		
294		D3	RESISTOR		R8525	1-218-733-11	METAL CHIP 51K 0.5% 1/10W		
295		D3	RESISTOR		R8526	1-218-272-11	METAL CHIP 5.1K 5% 1/10W		
296		D3	RESISTOR		R8527	1-218-718-11	METAL CHIP 12K 0.5% 1/10W		
297		D3	RESISTOR		R8528	1-216-839-11	METAL CHIP 33K 5% 1/10W		
298		D3	RESISTOR		R8529	1-216-845-11	METAL CHIP 100K 5% 1/10W		
299		D3	RESISTOR		R8530	1-216-793-11	METAL CHIP 4.7 5% 1/10W		
300		D3	RESISTOR		R8533	1-216-804-11	METAL CHIP 39 5% 1/10W		
301		D3	RESISTOR		R8534	1-220-397-11	METAL CHIP 4.7M 5% 1/10W		
302		D3	RESISTOR		R8535	1-218-733-11	METAL CHIP 51K 0.5% 1/10W		
303		D3	RESISTOR		R8536	1-218-272-11	METAL CHIP 5.1K 5% 1/10W		
304		D3	RESISTOR		R8537	1-218-718-11	METAL CHIP 12K 0.5% 1/10W		
305		D3	RESISTOR		R8538	1-216-839-11	METAL CHIP 33K 5% 1/10W		
306		D3	RESISTOR		R8539	1-216-845-11	METAL CHIP 100K 5% 1/10W		
307		D3	RESISTOR		R8540	1-216-793-11	METAL CHIP 4.7 5% 1/10W		
308		D3	RESISTOR		R8543	1-216-804-11	METAL CHIP 39 5% 1/10W		
309		D3	RESISTOR		R8544	1-220-397-11	METAL CHIP 4.7M 5% 1/10W		
310		D3	RESISTOR		R8545	1-218-733-11	METAL CHIP 51K 0.5% 1/10W		
311		D3	RESISTOR		R8546	1-218-272-11	METAL CHIP 5.1K 5% 1/10W		
312		D3	RESISTOR		R8547	1-218-718-11	METAL CHIP 12K 0.5% 1/10W		
313		D3	RESISTOR		R8548	1-216-839-11	METAL CHIP 33K 5% 1/10W		
314		D3	RESISTOR		R8549	1-216-845-11	METAL CHIP 100K 5% 1/10W		
315		D3	RESISTOR		R8550	1-216-793-11	METAL CHIP 4.7 5% 1/10W		
316		D3	RESISTOR		R8553	1-216-804-11	METAL CHIP 39 5% 1/10W		
317		D3	RESISTOR		R8554	1-220-397-11	METAL CHIP 4.7M 5% 1/10W		
318		D3	RESISTOR		R8555	1-218-733-11	METAL CHIP 51K 0.5% 1/10W		
319		D3	RESISTOR		R8556	1-218-272-11	METAL CHIP 5.1K 5% 1/10W		
320		D3	RESISTOR		R8557	1-218-718-11	METAL CHIP 12K 0.5% 1/10W		
321		D3	RESISTOR		R8558	1-216-839-11	METAL CHIP 33K 5% 1/10W		
322		D3	RESISTOR		R8559	1-216-845-11	METAL CHIP 100K 5% 1/10W		
323		D3	RESISTOR		R8601	1-216-847-11	METAL CHIP 150K 5% 1/10W		
324		D3	RESISTOR		R8602	1-218-736-11	METAL CHIP 68K 0.5% 1/10W		
325		D3	RESISTOR		R8603	1-218-747-11	METAL CHIP 200K 0.5% 1/10W		
326		D3	RESISTOR		R8604	1-216-829-11	METAL CHIP 4.7K 5% 1/10W		
327		D3	RESISTOR		R8605	1-216-829-11	METAL CHIP 4.7K 5% 1/10W		
328		D3	RESISTOR		R8607	1-216-809-11	METAL CHIP 100 5% 1/10W		
329		D3	RESISTOR		R8608	1-216-863-11	METAL CHIP 3.3M 5% 1/10W		
330		D3	RESISTOR		R8609	1-216-829-11	METAL CHIP 4.7K 5% 1/10W		
331		D3	RESISTOR		R8610	1-216-829-11	METAL CHIP 4.7K 5% 1/10W		
332		D3	RESISTOR		R8612	1-216-829-11	METAL CHIP 4.7K 5% 1/10W		
333		D3	RESISTOR		R8613	1-216-833-11	METAL CHIP 10K 5% 1/10W		
334		D3	RESISTOR		R8621	1-216-847-11	METAL CHIP 150K 5% 1/10W		
335		D3	RESISTOR		R8622	1-218-736-11	METAL CHIP 68K 0.5% 1/10W		
336		D3	RESISTOR		R8623	1-218-747-11	METAL CHIP 200K 0.5% 1/10W		
337		D3	RESISTOR		R8624	1-216-829-11	METAL CHIP 4.7K 5% 1/10W		
338		D3	RESISTOR		R8625	1-216-829-11	METAL CHIP 4.7K 5% 1/10W		
339		D3	RESISTOR		R8627	1-216-809-11	METAL CHIP 100 5% 1/10W		
340		D3	RESISTOR		R8628	1-216-863-11	METAL CHIP 3.3M 5% 1/10W		
341		D3	RESISTOR		R8629	1-216-829-11	METAL CHIP 4.7K 5% 1/10W		
342		D3	RESISTOR		R8630	1-216-829-11	METAL CHIP 4.7K 5% 1/10W		
343		D3	RESISTOR		R8632	1-216-829-11	METAL CHIP 4.7K 5% 1/10W		
344		D3	RESISTOR		R8633	1-216-833-11	METAL CHIP 10K 5% 1/10W		
345		D3	RESISTOR		R8641	1-216-847-11	METAL CHIP 150K 5% 1/10W		
346		D3	RESISTOR		R8642	1-218-736-11	METAL CHIP 68K 0.5% 1/10W		
347		D3	RESISTOR		R8643	1-218-747-11	METAL CHIP 200K 0.5% 1/10W		
348		D3	RESISTOR		R8644	1-216-829-11	METAL CHIP 4.7K 5% 1/10W		
349		D3	RESISTOR		R8645	1-216-829-11	METAL CHIP 4.7K 5% 1/10W		
350		D3	RESISTOR		R8647	1-216-809-11	METAL CHIP 100 5% 1/10W		
351		D3	RESISTOR		R8648	1-216-863-11	METAL CHIP 3.3M 5% 1/10W		
352		D3	RESISTOR		R8649	1-216-829-11	METAL CHIP 4.7K 5% 1/10W		
353		D3	RESISTOR		R8650	1-216-829-11	METAL CHIP 4.7K 5% 1/10W		
354		D3	RESISTOR		R8652	1-216-829-11	METAL CHIP 4.7K 5% 1/10W		
355		D3	RESISTOR		R8653	1-216-833-11	METAL CHIP 10K 5% 1/10W		
356		D3	RESISTOR		R8701	1-218-734-11	METAL CHIP 56K 0.5% 1/10W		
357		D3	RESISTOR		R8702	1-218-728-11	METAL CHIP 33K 0.5% 1/10W		
358		D3	RESISTOR		R8703	1-218-717-11	METAL CHIP 11K 0.5% 1/10W		
359		D3	RESISTOR		R8704	1-218-734-11	METAL CHIP 56K 0.5% 1/10W		
360		D3	RESISTOR		R8705	1-218-739-91	METAL CHIP 91K 0.5% 1/10W		
361		D3	RESISTOR		R8709	1-218-737-11	METAL CHIP 75K 0.5% 1/10W		
362		D3	RESISTOR		R8710	1-216-833-11	METAL CHIP 10K 5% 1/10W		
363		D3	RESISTOR		R8711	1-216-833-11	METAL CHIP 10K 5% 1/10W		
364		D3	RESISTOR		R8712	1-218-729-11	METAL CHIP 36K 0.5% 1/10W		
365		D3	RESISTOR		R8713	1-218-729-11	METAL CHIP 36K 0.5% 1/10W		

No.	#	Board	Type	Δ /*	Ref. No.	Part No.	Description	Remarks-1	Remarks-2
366		D3	RESISTOR		R8714	1-218-692-11	METAL CHIP 1K 0.5% 1/10W		
367		D3	RESISTOR		R8715	1-218-729-11	METAL CHIP 36K 0.5% 1/10W		
368		D3	RESISTOR		R8716	1-218-752-11	METAL CHIP 330K 0.5% 1/10W		
369		D3	RESISTOR		R8717	1-218-701-11	METAL CHIP 2.4K 0.5% 1/10W		
370		D3	RESISTOR		R8718	1-218-702-11	METAL CHIP 2.7K 0.5% 1/10W		
371		D3	RESISTOR		R8719	1-216-841-11	METAL CHIP 47K 5% 1/10W		
372		D3	RESISTOR		R8720	1-218-718-11	METAL CHIP 12K 0.5% 1/10W		
373		D3	RESISTOR		R8721	1-218-728-11	METAL CHIP 33K 0.5% 1/10W		
374		D3	RESISTOR		R8723	1-218-731-11	METAL CHIP 43K 0.5% 1/10W		
375		D3	RESISTOR		R8724	1-218-731-11	METAL CHIP 43K 0.5% 1/10W		
376		D3	RESISTOR		R8725	1-218-692-11	METAL CHIP 1K 0.5% 1/10W		
377		D3	RESISTOR		R8729	1-216-829-11	METAL CHIP 4.7K 5% 1/10W		
378		D3	RESISTOR		R8730	1-216-833-11	METAL CHIP 10K 5% 1/10W		
379		D3	RESISTOR		R8731	1-216-825-11	METAL CHIP 2.2K 5% 1/10W		
380		D3	RESISTOR		R8748	1-216-864-11	SHORT CHIP 0		
381		D3	RESISTOR		R8749	1-216-864-11	SHORT CHIP 0		
382		D3	RESISTOR		R8800	1-218-688-11	METAL CHIP 680 0.5% 1/10W		
383		D3	RESISTOR		R8801	1-218-688-11	METAL CHIP 680 0.5% 1/10W		
384		D3	RESISTOR		R8810	1-218-688-11	METAL CHIP 680 0.5% 1/10W		
385		D3	RESISTOR		R8811	1-218-688-11	METAL CHIP 680 0.5% 1/10W		
386		D3	RESISTOR		R8820	1-218-688-11	METAL CHIP 680 0.5% 1/10W		
387		D3	RESISTOR		R8821	1-218-688-11	METAL CHIP 680 0.5% 1/10W		
388		D3	RESISTOR		R8830	1-218-688-11	METAL CHIP 680 0.5% 1/10W		
389		D3	RESISTOR		R8831	1-218-688-11	METAL CHIP 680 0.5% 1/10W		
390		D3	RESISTOR		R8840	1-218-688-11	METAL CHIP 680 0.5% 1/10W		
391		D3	RESISTOR		R8841	1-218-688-11	METAL CHIP 680 0.5% 1/10W		
392		D3	RESISTOR		R8850	1-218-688-11	METAL CHIP 680 0.5% 1/10W		
393		D3	RESISTOR		R8851	1-218-688-11	METAL CHIP 680 0.5% 1/10W		
394		D3	RESISTOR		R8900	1-216-829-11	METAL CHIP 4.7K 5% 1/10W		
395		D3	RESISTOR		R8901	1-218-694-11	METAL CHIP 1.2K 0.5% 1/10W		
396		D3	RESISTOR		R8902	1-218-718-11	METAL CHIP 12K 0.5% 1/10W		
397		D3	RESISTOR		R8903	1-218-737-11	METAL CHIP 75K 0.5% 1/10W		
398		D3	RESISTOR		R8905	1-216-864-11	SHORT CHIP 0		
399		D3	RESISTOR		R8906	1-216-864-11	SHORT CHIP 0		
400		D3	RESISTOR		R8913	1-218-737-11	METAL CHIP 75K 0.5% 1/10W		
401		D3	RESISTOR		R8920	1-216-829-11	METAL CHIP 4.7K 5% 1/10W		
402		D3	RESISTOR		R8921	1-218-694-11	METAL CHIP 1.2K 0.5% 1/10W		
403		D3	RESISTOR		R8922	1-218-718-11	METAL CHIP 12K 0.5% 1/10W		
404		D3	RESISTOR		R8923	1-218-737-11	METAL CHIP 75K 0.5% 1/10W		
405		D3	RESISTOR		R8925	1-216-864-11	SHORT CHIP 0		
406		D3	RESISTOR		R8926	1-216-864-11	SHORT CHIP 0		
407		D3	RESISTOR		R8933	1-218-737-11	METAL CHIP 75K 0.5% 1/10W		
408		D3	RESISTOR		R8940	1-216-829-11	METAL CHIP 4.7K 5% 1/10W		
409		D3	RESISTOR		R8941	1-218-694-11	METAL CHIP 1.2K 0.5% 1/10W		
410		D3	RESISTOR		R8942	1-218-718-11	METAL CHIP 12K 0.5% 1/10W		
411		D3	RESISTOR		R8943	1-218-737-11	METAL CHIP 75K 0.5% 1/10W		
412		D3	RESISTOR		R8945	1-216-864-11	SHORT CHIP 0		
413		D3	RESISTOR		R8946	1-216-864-11	SHORT CHIP 0		
414		D3	RESISTOR		R8953	1-218-737-11	METAL CHIP 75K 0.5% 1/10W		
415		D3	TRANSFORMER		T8300	1-439-990-12	INVERTER TRANSFORMER		
416		D3	TRANSFORMER		T8301	1-439-990-12	INVERTER TRANSFORMER		
417		D3	TRANSFORMER		T8310	1-439-990-12	INVERTER TRANSFORMER		
418		D3	TRANSFORMER		T8311	1-439-990-12	INVERTER TRANSFORMER		
419		D3	TRANSFORMER		T8320	1-439-990-12	INVERTER TRANSFORMER		
420		D3	TRANSFORMER		T8321	1-439-990-12	INVERTER TRANSFORMER		
421		D3	TRANSFORMER		T8330	1-439-990-12	INVERTER TRANSFORMER		
422		D3	TRANSFORMER		T8331	1-439-990-12	INVERTER TRANSFORMER		
423		D3	TRANSFORMER		T8340	1-439-990-12	INVERTER TRANSFORMER		
424		D3	TRANSFORMER		T8341	1-439-990-12	INVERTER TRANSFORMER		
425		D3	TRANSFORMER		T8350	1-439-990-12	INVERTER TRANSFORMER		
426		D3	TRANSFORMER		T8351	1-439-990-12	INVERTER TRANSFORMER		
427		H5	CONNECTOR	*	CN1601	1-580-789-21	PIN, CONNECTOR (SMD) 6P		
428		H5	DIODE		D1602	6-500-487-01	DIODE SMLU12D16W		
429		H5	DIODE		D1604	6-500-487-01	DIODE SMLU12D16W		
430		H5	DIODE		D1607	6-500-487-01	DIODE SMLU12D16W		
431		H5	TRANSISTOR		Q1601	6-550-549-01	TRANSISTOR DTC114EUAFT106		
432		H5	TRANSISTOR		Q1602	6-550-549-01	TRANSISTOR DTC114EUAFT106		
433		H5	TRANSISTOR		Q1603	6-550-549-01	TRANSISTOR DTC114EUAFT106		
434		H5	TRANSISTOR		Q1604	6-550-548-01	TRANSISTOR DTA114EUAFT106		
435		H5	TRANSISTOR		Q1605	6-550-548-01	TRANSISTOR DTA114EUAFT106		
436		H5	TRANSISTOR		Q1606	6-550-548-01	TRANSISTOR DTA114EUAFT106		
437		H5	TRANSISTOR		Q1607	6-550-548-01	TRANSISTOR DTA114EUAFT106		
438		H5	TRANSISTOR		Q1608	6-550-549-01	TRANSISTOR DTC114EUAFT106		

No.	#	Board	Type	△/*	Ref. No.	Part No.	Description	Remarks-1	Remarks-2
439		H5	RESISTOR		R1603	1-216-812-11	METAL CHIP 180 5% 1/10W		
440		H5	RESISTOR		R1604	1-216-812-11	METAL CHIP 180 5% 1/10W		
441		H5	RESISTOR		R1605	1-216-820-11	METAL CHIP 820 5% 1/10W		
442		H5	RESISTOR		R1606	1-216-809-11	METAL CHIP 100 5% 1/10W		
443		H5	RESISTOR		R1607	1-216-812-11	METAL CHIP 180 5% 1/10W		
444		MSB	CAPACITOR		C4501	1-162-964-11	CERAMIC CHIP 0.001UF 10.00% 50V		
445		MSB	CAPACITOR		C4502	1-164-156-11	CERAMIC CHIP 0.1UF 25V		
446		MSB	CAPACITOR		C4503	1-137-894-21	ELECT CHIP 470UF 20% 25V		
447		MSB	CAPACITOR		C4504	1-107-892-91	ELECT 4700UF 20.00% 25V		
448		MSB	CAPACITOR		C4505	1-135-960-91	CERAMIC CHIP 10UF 10% 25V		
449		MSB	CONNECTOR		CN4501	1-573-290-21	PIN, CONNECTOR (1.5MM) (SMD)4P		
450		MSB	CONNECTOR		CN4502	1-779-884-11	CONNECTOR 4P		
451		MSB	DIODE		D4501	8-719-080-41	DIODE RB063L-30TE25		
452		MSB	DIODE		D4502	6-500-294-01	DIODE PTZ-TE25-3.9B		
453		MSB	DIODE		D4503	8-719-080-41	DIODE RB063L-30TE25		
454		MSB	FERRITE BEAD		FB4501	1-216-295-91	SHORT CHIP 0		
455		MSB	IC		IC4501	6-704-407-01	IC PQ1CZ41H2ZPH		
456		MSB	COIL		L4501	1-456-504-21	INDUCTOR 100UH		
457		MSB	RESISTOR		R4501	1-218-861-11	METAL CHIP 3.9K 0.5% 1/10W		
458		MSB	RESISTOR		R4502	1-218-856-11	METAL CHIP 2.4K 0.5% 1/10W		
459		G	LED HOLDER	*	A6000	4-042-408-01	PIN, COATING LEAD		
460		G	CAPACITOR		C6000	1-161-964-91	CERAMIC 0.0047UF 250V		
461		G	CAPACITOR		C6001	1-161-964-91	CERAMIC 0.0047UF 250V		
462		G	CAPACITOR		C6002	1-100-529-41	ELECT(BLOCK) 220UF 20% 250V		
463		G	CAPACITOR		C6003	1-162-964-11	CERAMIC CHIP 0.001UF 10.00% 50V		
464		G	CAPACITOR		C6004	1-126-398-11	ELECT CHIP 4.7UF 20.00% 35V		
465		G	CAPACITOR		C6005	1-107-888-11	ELECT 47UF 20.00% 25V		
466		G	CAPACITOR		C6006	1-130-017-00	FILM 820PF 5.00% 50V		
467		G	CAPACITOR		C6007	1-162-970-11	CERAMIC CHIP 0.01UF 10.00% 25V		
468		G	CAPACITOR		C6008	1-126-394-11	ELECT CHIP 10UF 20.00% 16V		
469		G	CAPACITOR		C6010	1-162-970-11	CERAMIC CHIP 0.01UF 10.00% 25V		
470		G	CAPACITOR		C6011	1-136-165-00	FILM 0.1UF 5.00% 50V		
471		G	CAPACITOR		C6012	1-126-396-11	ELECT CHIP 47UF 20.00% 16V		
472		G	CAPACITOR		C6013	1-100-613-81	CERAMIC 470PF 5% 1KV		
473		G	CAPACITOR		C6014	1-100-613-81	CERAMIC 470PF 5% 1KV		
474		G	CAPACITOR		C6015	1-165-610-11	FILM 33000PF 3% 800V		
475		G	CAPACITOR		C6016	1-165-610-11	FILM 33000PF 3% 800V		
476		G	CAPACITOR		C6019	1-119-895-51	CERAMIC 4700PF 20.00% 250V		
477		G	CAPACITOR		C6020	1-104-706-11	MYLAR 0.22UF 20.00% 250V		
478		G	CAPACITOR		C6021	1-104-706-11	MYLAR 0.22UF 20.00% 250V		
479		G	CAPACITOR		C6022	1-119-895-51	CERAMIC 4700PF 20.00% 250V		
480		G	CAPACITOR		C6025	1-162-960-11	CERAMIC CHIP 220PF 10.00% 50V		
481		G	CAPACITOR		C6027	1-136-203-11	MYLAR 0.01UF 5.00% 630V		
482		G	CAPACITOR		C6029	1-126-398-11	ELECT CHIP 4.7UF 20.00% 35V		
483		G	CAPACITOR		C6032	1-100-529-41	ELECT(BLOCK) 220UF 20% 250V		
484		G	CAPACITOR		C6033	1-162-970-11	CERAMIC CHIP 0.01UF 10.00% 25V		
485		G	CAPACITOR		C6034	1-107-826-11	CERAMIC CHIP 0.1UF 10.00% 16V		
486		G	CAPACITOR		C6300	1-107-826-11	CERAMIC CHIP 0.1UF 10.00% 16V		
487		G	CAPACITOR		C6301	1-107-826-11	CERAMIC CHIP 0.1UF 10.00% 16V		
488		G	CAPACITOR		C6302	1-126-392-11	ELECT CHIP 100UF 20.00% 6.3V		
489		G	CAPACITOR		C6308	1-131-872-91	CERAMIC CHIP 1000PF 10% 630V		
490		G	CAPACITOR		C6309	1-128-361-11	ELECT CHIP 470UF 20.00% 10V		
491		G	CAPACITOR		C6313	1-126-401-21	ELECT CHIP 1UF 20.00% 50V		
492		G	CAPACITOR		C6314	1-100-632-21	ELECT CHIP 33UF 20% 8V		
493		G	CAPACITOR		C6316	1-128-405-11	ELECT CHIP 22UF 20% 50V		
494		G	CAPACITOR		C6317	1-131-976-61	ELECT 820UF 20% 25V		
495		G	CAPACITOR		C6318	1-100-791-21	ELECT CHIP 56UF 20% 25V		
496		G	CAPACITOR		C6319	1-131-976-61	ELECT 820UF 20% 25V		
497		G	CAPACITOR		C6320	1-100-309-21	ELECT CHIP 22UF 20% 25V		
498		G	CAPACITOR		C6321	1-136-201-61	MYLAR 0.22UF 10.00% 400V		
499		G	CAPACITOR		C6322	1-165-585-21	ELECT CHIP 47UF 20% 25V		
500		G	CAPACITOR		C6331	1-100-632-21	ELECT CHIP 33UF 20% 8V		
501		G	CONNECTOR		CN6001	1-695-915-11	TAB (CONTACT)		
502		G	CONNECTOR	*	CN6002	1-691-961-11	PIN, CONNECTOR (PC BOARD) 3P		
503		G	CONNECTOR	*	CN6302	1-564-507-11	PLUG, CONNECTOR 4P		
504		G	CONNECTOR	*	CN6350	1-564-507-11	PLUG, CONNECTOR 4P		
505		G	CONNECTOR	*	CN6351	1-564-595-11	PLUG, CONNECTOR 14P		
506		G	CONNECTOR	*	CN6352	1-564-509-11	PLUG, CONNECTOR 6P		
507		G	DIODE		D6000	8-719-510-53	DIODE D4SB60L		
508		G	DIODE		D6003	8-719-979-64	DIODE UF4005PKG23		
509		G	DIODE		D6004	8-719-083-83	DIODE UDZS-TE17-15B		
510		G	DIODE		D6005	8-719-083-83	DIODE UDZS-TE17-15B		
511		G	DIODE		D6007	8-719-081-97	DIODE MMDL914T1		

No.	#	Board	Type	△/*	Ref. No.	Part No.	Description	Remarks-1	Remarks-2
512		G	DIODE		D6008	8-719-080-69	DIODE M1FS4-4063		
513		G	DIODE		D6009	8-719-948-45	DIODE ERA22-08		
514		G	DIODE		D6012	8-719-080-75	DIODE M1FL20U-4063		
515		G	DIODE		D6301	8-719-054-36	DIODE FCH10A06		
516		G	DIODE		D6302	8-719-054-36	DIODE FCH10A06		
517		G	DIODE		D6303	8-719-054-36	DIODE FCH10A06		
518		G	DIODE		D6304	8-719-054-36	DIODE FCH10A06		
519		G	DIODE		D6305	8-719-510-12	DIODE D10SC4M		
520		G	DIODE		D6306	8-719-080-75	DIODE M1FL20U-4063		
521		G	DIODE		D6307	8-719-510-12	DIODE D10SC4M		
522		G	DIODE		D6350	8-719-510-12	DIODE D10SC4M		
523		G	DIODE		D6351	8-719-510-12	DIODE D10SC4M		
524		G	DIODE		D6352	8-719-054-36	DIODE FCH10A06		
525		G	DIODE		D6353	8-719-054-36	DIODE FCH10A06		
526		G	DIODE		D6354	8-719-054-36	DIODE FCH10A06		
527		G	DIODE		D6355	8-719-054-36	DIODE FCH10A06		
528		G	DIODE		D6356	8-719-054-36	DIODE FCH10A06		
529		G	DIODE		D6357	8-719-080-75	DIODE M1FL20U-4063		
530		G	DIODE		D6358	8-719-054-36	DIODE FCH10A06		
531		G	DIODE		D6360	8-719-080-75	DIODE M1FL20U-4063		
532		G	FUSE	△	F6000	1-576-230-12	FUSE 3.15A 250V		
533		G	FERRITE BEAD		FB6000	1-410-397-21	FERRITE 1.1UH		
534		G	FUSE HOLDER		FH6000	1-533-223-11	FUSE HOLDER 0A 0V		
535		G	FUSE HOLDER		FH6001	1-533-223-11	FUSE HOLDER 0A 0V		
536		G	IC		IC6000	6-705-768-01	IC MCZ3001UB		
537		G	IC		IC6001	6-600-102-01	IC STR-A6459		
538		G	IC		IC6002	8-759-540-60	IC TL431BCLPRA		
539		G	IC		IC6300	8-759-540-60	IC TL431BCLPRA		
540		G	IC		IC6302	8-759-533-85	IC L88M05T-FA-TL		
541		G	COIL		L6000	1-456-444-11	LINE FILTER COIL		
542		G	COIL		L6003	1-456-444-11	LINE FILTER COIL		
543		G	COIL		L6351	1-469-848-21	INDUCTOR 10UH		
544		G	COIL		L6352	1-412-537-31	INDUCTOR 100UH		
545		G	PHOTO COUPLER		PH6000	8-749-016-81	PHOTO COUPLER PC123Y22		
546		G	PHOTO COUPLER		PH6002	8-749-016-81	PHOTO COUPLER PC123Y22		
547		G	TRANSISTOR		Q6000	6-550-666-01	TRANSISTOR 2SK3555-01MR-F104		
548		G	TRANSISTOR		Q6001	6-550-666-01	TRANSISTOR 2SK3555-01MR-F104		
549		G	TRANSISTOR		Q6002	8-729-026-49	TRANSISTOR 2SA1037AK-T146-R		
550		G	TRANSISTOR		Q6003	8-729-422-33	TRANSISTOR 2SD601A-Q-TX		
551		G	TRANSISTOR		Q6004	8-729-120-28	TRANSISTOR 2SC1623-L5L6		
552		G	TRANSISTOR		Q6005	8-729-026-49	TRANSISTOR 2SA1037AK-T146-R		
553		G	TRANSISTOR		Q6300	8-729-422-33	TRANSISTOR 2SD601A-Q-TX		
554		G	RESISTOR		R6001	1-202-933-61	FUSIBLE 0.1 10% 1/2W		
555		G	RESISTOR		R6002	1-218-878-11	METAL CHIP 20K 0.5% 1/10W		
556		G	RESISTOR		R6003	1-218-823-11	METAL CHIP 100 0.5% 1/10W		
557		G	RESISTOR		R6004	1-218-873-11	METAL CHIP 12K 0.5% 1/10W		
558		G	RESISTOR		R6006	1-220-319-91	RES-CHIP 330K 5% 1/4W		
559		G	RESISTOR		R6007	1-220-319-91	RES-CHIP 330K 5% 1/4W		
560		G	RESISTOR		R6008	1-220-319-91	RES-CHIP 330K 5% 1/4W		
561		G	RESISTOR		R6009	1-216-835-11	METAL CHIP 15K 5% 1/10W		
562		G	RESISTOR		R6010	1-211-992-11	METAL CHIP 91 0.5% 1/10W		
563		G	RESISTOR		R6011	1-245-511-11	CEMENTED 3.3 5% 5W		
564		G	RESISTOR		R6012	1-249-393-11	CARBON 10 5% 1/4W		
565		G	RESISTOR		R6013	1-249-393-11	CARBON 10 5% 1/4W		
566		G	RESISTOR		R6014	1-216-833-11	METAL CHIP 10K 5% 1/10W		
567		G	RESISTOR		R6015	1-216-833-11	METAL CHIP 10K 5% 1/10W		
568		G	RESISTOR		R6016	1-243-660-71	METAL 0.05 5% 2W		
569		G	RESISTOR		R6017	1-216-817-11	METAL CHIP 470 5% 1/10W		
570		G	RESISTOR		R6018	1-245-511-11	CEMENTED 3.3 5% 5W		
571		G	RESISTOR		R6019	1-216-864-11	SHORT CHIP 0		
572		G	RESISTOR		R6020	1-219-512-11	METAL 2.2M 5% 1/2W		
573		G	RESISTOR		R6021	1-249-381-11	CARBON 1 5% 1/4W		
574		G	RESISTOR		R6022	1-220-330-91	RES-CHIP 68K 5% 1/2W		
575		G	RESISTOR		R6023	1-220-330-91	RES-CHIP 68K 5% 1/2W		
576		G	RESISTOR		R6024	1-245-511-11	CEMENTED 3.3 5% 5W		
577		G	RESISTOR		R6025	1-220-330-91	RES-CHIP 68K 5% 1/2W		
578		G	RESISTOR		R6027	1-218-262-11	RES-CHIP 2.7 10% 1/2W		
579		G	RESISTOR		R6028	1-218-262-11	RES-CHIP 2.7 10% 1/2W		
580		G	RESISTOR		R6029	1-216-822-11	METAL CHIP 1.2K 5% 1/10W		
581		G	RESISTOR		R6030	1-260-127-11	CARBON 220K 5% 1/2W		
582		G	RESISTOR		R6033	1-249-393-11	CARBON 10 5% 1/4W		
583		G	RESISTOR		R6036	1-216-845-11	METAL CHIP 100K 5% 1/10W		
584		G	RESISTOR		R6037	1-216-833-11	METAL CHIP 10K 5% 1/10W		

No.	#	Board	Type	△/*	Ref. No.	Part No.	Description	Remarks-1	Remarks-2
585		G	RESISTOR		R6038	1-219-513-11	METAL 4.7M 5% 1/2W		
586		G	RESISTOR		R6039	1-216-833-11	METAL CHIP 10K 5% 1/10W		
587		G	RESISTOR		R6040	1-216-833-11	METAL CHIP 10K 5% 1/10W		
588		G	RESISTOR		R6041	1-216-837-11	METAL CHIP 22K 5% 1/10W		
589		G	RESISTOR		R6042	1-216-837-11	METAL CHIP 22K 5% 1/10W		
590		G	RESISTOR		R6043	1-216-821-11	METAL CHIP 1K 5% 1/10W		
591		G	RESISTOR		R6044	1-216-833-11	METAL CHIP 10K 5% 1/10W		
592		G	RESISTOR		R6045	1-218-883-11	METAL CHIP 33K 0.5% 1/10W		
593		G	RESISTOR		R6046	1-218-865-11	METAL CHIP 5.6K 0.5% 1/10W		
594		G	RESISTOR		R6047	1-216-833-11	METAL CHIP 10K 5% 1/10W		
595		G	RESISTOR		R6048	1-216-827-11	METAL CHIP 3.3K 5% 1/10W		
596		G	RESISTOR		R6300	1-216-825-11	METAL CHIP 2.2K 5% 1/10W		
597		G	RESISTOR		R6301	1-216-821-11	METAL CHIP 1K 5% 1/10W		
598		G	RESISTOR		R6302	1-216-864-11	SHORT CHIP 0		
599		G	RESISTOR		R6304	1-216-864-11	SHORT CHIP 0		
600		G	RESISTOR		R6305	1-216-864-11	SHORT CHIP 0		
601		G	RESISTOR		R6306	1-218-866-11	METAL CHIP 6.2K 0.5% 1/10W		
602		G	RESISTOR		R6307	1-218-848-11	METAL CHIP 1.1K 0.5% 1/10W		
603		G	RESISTOR		R6316	1-216-821-11	METAL CHIP 1K 5% 1/10W		
604		G	RESISTOR		R6319	1-216-833-11	METAL CHIP 10K 5% 1/10W		
605		G	RESISTOR		R6320	1-216-833-11	METAL CHIP 10K 5% 1/10W		
606		G	RESISTOR		R6321	1-216-864-11	SHORT CHIP 0		
607		G	RESISTOR		R6322	1-249-377-11	CARBON 0.47 5% 1/4W		
608		G	RESISTOR		R6325	1-216-837-11	METAL CHIP 22K 5% 1/10W		
609		G	TRANSFORMER		T6000	1-443-135-11	CONVERTER TRANSFORMER (PIT)		
610		G	TRANSFORMER		T6001	1-433-844-11	TRANSFORMER, CONVERTER		
611		G	TRANSFORMER		T6002	1-443-136-11	CONVERTER TRANSFORMER (PIT)		
612		G	VARISTOR		VD6000	1-801-265-51	VARISTOR TNR10V271K660		
613		TU	CAPACITOR		C6400	1-162-970-11	CERAMIC CHIP 0.01UF 10.00% 25V		
614		TU	CAPACITOR		C6401	1-162-966-11	CERAMIC CHIP 0.0022UF 10.00% 50V		
615		TU	CAPACITOR		C6402	1-162-927-11	CERAMIC CHIP 100PF 5.00% 50V		
616		TU	CAPACITOR		C6403	1-162-927-11	CERAMIC CHIP 100PF 5.00% 50V		
617		TU	CAPACITOR		C6404	1-162-927-11	CERAMIC CHIP 100PF 5.00% 50V		
618		TU	CAPACITOR		C6405	1-127-692-11	CERAMIC CHIP 10UF 10% 16V		
619		TU	CAPACITOR		C6406	1-127-692-11	CERAMIC CHIP 10UF 10% 16V		
620		TU	CAPACITOR		C6407	1-162-970-11	CERAMIC CHIP 0.01UF 10.00% 25V		
621		TU	CAPACITOR		C6408	1-162-970-11	CERAMIC CHIP 0.01UF 10.00% 25V		
622		TU	CAPACITOR		C6409	1-162-970-11	CERAMIC CHIP 0.01UF 10.00% 25V		
623		TU	CAPACITOR		C6410	1-162-970-11	CERAMIC CHIP 0.01UF 10.00% 25V		
624		TU	CAPACITOR		C6411	1-127-692-11	CERAMIC CHIP 10UF 10% 16V		
625		TU	CAPACITOR		C6412	1-127-692-11	CERAMIC CHIP 10UF 10% 16V		
626		TU	CAPACITOR		C6413	1-127-692-11	CERAMIC CHIP 10UF 10% 16V		
627		TU	CAPACITOR		C6414	1-127-692-11	CERAMIC CHIP 10UF 10% 16V		
628		TU	CAPACITOR		C6415	1-162-970-11	CERAMIC CHIP 0.01UF 10.00% 25V		
629		TU	CAPACITOR		C6416	1-162-970-11	CERAMIC CHIP 0.01UF 10.00% 25V		
630		TU	CAPACITOR		C6417	1-162-964-11	CERAMIC CHIP 0.001UF 10.00% 50V		
631		TU	CAPACITOR		C6418	1-165-176-11	CERAMIC CHIP 0.047UF 10.00% 16V		
632		TU	CONNECTOR		CN6401	1-766-719-41	CONNECTOR, BOARD TO BOARD 10P		
633		TU	CONNECTOR		CN6403	1-766-719-41	CONNECTOR, BOARD TO BOARD 10P		
634		TU	DIODE		D6401	8-719-070-63	DIODE PDZ10B-115		
635		TU	IC		IC6401	6-703-225-01	IC S-80928CNMC-G8YT2G		
636		TU	TRANSISTOR		Q6401	6-550-585-01	TRANSISTOR 2PC4081R-115		
637		TU	TRANSISTOR		Q6402	6-550-585-01	TRANSISTOR 2PC4081R-115		
638		TU	TRANSISTOR		Q6403	6-550-585-01	TRANSISTOR 2PC4081R-115		
639		TU	TRANSISTOR		Q6404	6-550-585-01	TRANSISTOR 2PC4081R-115		
640		TU	TRANSISTOR		Q6405	6-550-549-01	TRANSISTOR DTC114EUAFT106		
641		TU	TRANSISTOR		Q6406	6-550-586-01	TRANSISTOR 2PA1576R-115		
642		TU	TRANSISTOR		Q6407	6-550-585-01	TRANSISTOR 2PC4081R-115		
643		TU	TRANSISTOR		Q6408	6-550-586-01	TRANSISTOR 2PA1576R-115		
644		TU	TRANSISTOR		Q6457	6-550-549-01	TRANSISTOR DTC114EUAFT106		
645		TU	RESISTOR		R6400	1-216-864-11	SHORT CHIP 0		
646		TU	RESISTOR		R6401	1-216-809-11	METAL CHIP 100 5% 1/10W		
647		TU	RESISTOR		R6402	1-216-809-11	METAL CHIP 100 5% 1/10W		
648		TU	RESISTOR		R6403	1-216-821-11	METAL CHIP 1K 5% 1/10W		
649		TU	RESISTOR		R6404	1-216-864-11	SHORT CHIP 0		
650		TU	RESISTOR		R6405	1-216-825-11	METAL CHIP 2.2K 5% 1/10W		
651		TU	RESISTOR		R6409	1-216-821-11	METAL CHIP 1K 5% 1/10W		
652		TU	RESISTOR		R6410	1-216-839-11	METAL CHIP 33K 5% 1/10W		
653		TU	RESISTOR		R6412	1-216-833-11	METAL CHIP 10K 5% 1/10W		
654		TU	RESISTOR		R6413	1-216-837-11	METAL CHIP 22K 5% 1/10W		
655		TU	RESISTOR		R6414	1-216-809-11	METAL CHIP 100 5% 1/10W		
656		TU	RESISTOR		R6415	1-216-809-11	METAL CHIP 100 5% 1/10W		
657		TU	RESISTOR		R6416	1-216-864-11	SHORT CHIP 0		

No.	#	Board	Type	△/★	Ref. No.	Part No.	Description	Remarks-1	Remarks-2
658		TU	RESISTOR		R6417	1-216-821-11	METAL CHIP 1K 5% 1/10W		
659		TU	RESISTOR		R6418	1-216-864-11	SHORT CHIP 0		
660		TU	RESISTOR		R6420	1-216-864-11	SHORT CHIP 0		
661		TU	RESISTOR		R6421	1-216-821-11	METAL CHIP 1K 5% 1/10W		
662		TU	RESISTOR		R6423	1-216-864-11	SHORT CHIP 0		
663		TU	RESISTOR		R6424	1-216-864-11	SHORT CHIP 0		
664		TU	RESISTOR		R6425	1-216-817-11	METAL CHIP 470 5% 1/10W		
665		TU	RESISTOR		R6426	1-216-817-11	METAL CHIP 470 5% 1/10W		
666		TU	RESISTOR		R6427	1-216-836-11	METAL CHIP 18K 5% 1/10W		
667		TU	RESISTOR		R6428	1-216-833-11	METAL CHIP 10K 5% 1/10W		
668		TU	RESISTOR		R6430	1-216-826-11	METAL CHIP 2.7K 5% 1/10W		
669		TU	RESISTOR		R6431	1-216-839-11	METAL CHIP 33K 5% 1/10W		
670		TU	RESISTOR		R6432	1-216-829-11	METAL CHIP 4.7K 5% 1/10W		
671		TU	RESISTOR		R6433	1-216-828-11	METAL CHIP 3.9K 5% 1/10W		
672		TU	RESISTOR		R6434	1-216-825-11	METAL CHIP 2.2K 5% 1/10W		
673		TU	RESISTOR		R6435	1-216-821-11	METAL CHIP 1K 5% 1/10W		
674		TU	RESISTOR		R6437	1-216-821-11	METAL CHIP 1K 5% 1/10W		
675		TU	RESISTOR		R6438	1-216-821-11	METAL CHIP 1K 5% 1/10W		
676		TU	RESISTOR		R6466	1-216-829-11	METAL CHIP 4.7K 5% 1/10W		
677		TU	RESISTOR		R6468	1-216-829-11	METAL CHIP 4.7K 5% 1/10W		
678		TU	TUNER		TU6400	8-598-593-20	TUNER, FSS BTF-WA421		
679		H1	CAPACITOR		C1501	1-107-826-11	CERAMIC CHIP 0.1UF 10.00% 16V		
680		H1	CAPACITOR		C1504	1-107-826-11	CERAMIC CHIP 0.1UF 10.00% 16V		
681		H1	CONNECTOR		CN1501	1-580-056-21	PIN, CONNECTOR (SMD) 3P		
682		H1	RESISTOR		R1501	1-216-813-11	METAL CHIP 220 5% 1/10W		
683		H1	RESISTOR		R1502	1-216-817-11	METAL CHIP 470 5% 1/10W		
684		H1	RESISTOR		R1503	1-218-457-11	METAL CHIP 910 5% 1/10W		
685		H1	RESISTOR		R1504	1-216-826-11	METAL CHIP 2.7K 5% 1/10W		
686		H1	SWITCH		S1501	1-572-595-11	SWITCH, TACTIL (REFLOW TYPE)		
687		H1	SWITCH		S1502	1-572-595-11	SWITCH, TACTIL (REFLOW TYPE)		
688		H1	SWITCH		S1503	1-572-595-11	SWITCH, TACTIL (REFLOW TYPE)		
689		H1	SWITCH		S1504	1-572-595-11	SWITCH, TACTIL (REFLOW TYPE)		
690		H1	SWITCH		S1505	1-572-595-11	SWITCH, TACTIL (REFLOW TYPE)		
691		H1	SWITCH		S1508	1-572-595-11	SWITCH, TACTIL (REFLOW TYPE)		
692		H2	CONNECTOR		CN7601	1-580-057-11	PIN, CONNECTOR (SMD) 4P		
693		H2	JACK		J7601	1-794-392-11	JACK		
694		H2	RESISTOR		R7601	1-216-864-11	SHORT CHIP 0		
695		H2	RESISTOR		R7602	1-216-864-11	SHORT CHIP 0		
696		H2	RESISTOR		R7603	1-216-864-11	SHORT CHIP 0		
697		H2	RESISTOR		R7604	1-216-864-11	SHORT CHIP 0		
698		U1	CONNECTOR		CN9201	1-766-382-21	PIN, CONNECTOR (1.5MM)(SMD)10P		
699		U1	JACK		J9201	1-694-716-11	TERMINAL BLOCK, S(LIGHT ANGLE)		
700		U1	JACK		J9202	1-694-716-11	TERMINAL BLOCK, S(LIGHT ANGLE)		
701		U1	RESISTOR		R9201	1-216-864-11	SHORT CHIP 0		
702		U1	RESISTOR		R9202	1-216-864-11	SHORT CHIP 0		
703		U1	RESISTOR		R9203	1-216-864-11	SHORT CHIP 0		
704		U1	RESISTOR		R9204	1-216-864-11	SHORT CHIP 0		
705		U1	RESISTOR		R9205	1-216-864-11	SHORT CHIP 0		
706		U1	RESISTOR		R9206	1-216-864-11	SHORT CHIP 0		
707		U1	RESISTOR		R9207	1-216-864-11	SHORT CHIP 0		
708		U1	RESISTOR		R9208	1-216-864-11	SHORT CHIP 0		
709		U1	RESISTOR		R9209	1-216-864-11	SHORT CHIP 0		
710		U1	RESISTOR		R9210	1-216-864-11	SHORT CHIP 0		
711		U1	RESISTOR		R9211	1-216-864-11	SHORT CHIP 0		
712		U1	RESISTOR		R9212	1-216-864-11	SHORT CHIP 0		
713		U1	RESISTOR		R9213	1-216-864-11	SHORT CHIP 0		
714		U1	RESISTOR		R9214	1-216-864-11	SHORT CHIP 0		
715		U1	RESISTOR		R9215	1-216-864-11	SHORT CHIP 0		
716		U1	RESISTOR		R9216	1-216-864-11	SHORT CHIP 0		
717		H4	CAPACITOR		C1651	1-162-966-11	CERAMIC CHIP 0.0022UF 10.00% 50V		
718		H4	CAPACITOR		C1652	1-119-667-11	CERAMIC CHIP 22UF 10V		
719		H4	CAPACITOR		C1653	1-119-667-11	CERAMIC CHIP 22UF 10V		
720		H4	CONNECTOR		CN1651	1-580-056-21	PIN, CONNECTOR (SMD) 3P		
721		H4	DIODE		D1651	8-719-036-94	DIODE RD5.6SB-T1		
722		H4	IC		IC1651	8-759-515-60	IC RS-20		
723		H4	RESISTOR		R1651	1-216-817-11	METAL CHIP 470 5% 1/10W		
724		H4	RESISTOR		R1652	1-216-805-11	METAL CHIP 47 5% 1/10W		
725		UD	CAPACITOR		C3800	1-162-917-11	CERAMIC CHIP 15PF 5.00% 50V		
726		UD	CAPACITOR		C3801	1-162-917-11	CERAMIC CHIP 15PF 5.00% 50V		
727		UD	CAPACITOR		C3802	1-162-970-11	CERAMIC CHIP 0.01UF 10.00% 25V		
728		UD	CAPACITOR		C3803	1-162-970-11	CERAMIC CHIP 0.01UF 10.00% 25V		
729		UD	CAPACITOR		C3804	1-164-156-11	CERAMIC CHIP 0.1UF 25V		
730		UD	CAPACITOR		C3805	1-162-970-11	CERAMIC CHIP 0.01UF 10.00% 25V		

No.	#	Board	Type	Δ /*	Ref. No.	Part No.	Description	Remarks-1	Remarks-2
731		UD	CAPACITOR		C3806	1-162-970-11	CERAMIC CHIP 0.01UF 10.00% 25V		
732		UD	CAPACITOR		C3807	1-164-156-11	CERAMIC CHIP 0.1UF 25V		
733		UD	CAPACITOR		C3808	1-162-970-11	CERAMIC CHIP 0.01UF 10.00% 25V		
734		UD	CAPACITOR		C3809	1-162-970-11	CERAMIC CHIP 0.01UF 10.00% 25V		
735		UD	CAPACITOR		C3810	1-162-970-11	CERAMIC CHIP 0.01UF 10.00% 25V		
736		UD	CAPACITOR		C3811	1-162-970-11	CERAMIC CHIP 0.01UF 10.00% 25V		
737		UD	CAPACITOR		C3812	1-162-970-11	CERAMIC CHIP 0.01UF 10.00% 25V		
738		UD	CAPACITOR		C3813	1-162-970-11	CERAMIC CHIP 0.01UF 10.00% 25V		
739		UD	CAPACITOR		C3814	1-162-970-11	CERAMIC CHIP 0.01UF 10.00% 25V		
740		UD	CAPACITOR		C3815	1-162-970-11	CERAMIC CHIP 0.01UF 10.00% 25V		
741		UD	CAPACITOR		C3816	1-162-970-11	CERAMIC CHIP 0.01UF 10.00% 25V		
742		UD	CAPACITOR		C3817	1-164-156-11	CERAMIC CHIP 0.1UF 25V		
743		UD	CAPACITOR		C3818	1-162-970-11	CERAMIC CHIP 0.01UF 10.00% 25V		
744		UD	CAPACITOR		C3819	1-162-970-11	CERAMIC CHIP 0.01UF 10.00% 25V		
745		UD	CAPACITOR		C3820	1-126-395-11	ELECT CHIP 22UF 20.00% 16V		
746		UD	CAPACITOR		C3821	1-162-970-11	CERAMIC CHIP 0.01UF 10.00% 25V		
747		UD	CAPACITOR		C3822	1-164-156-11	CERAMIC CHIP 0.1UF 25V		
748		UD	CAPACITOR		C3823	1-162-970-11	CERAMIC CHIP 0.01UF 10.00% 25V		
749		UD	CAPACITOR		C3824	1-164-156-11	CERAMIC CHIP 0.1UF 25V		
750		UD	CAPACITOR		C3825	1-164-156-11	CERAMIC CHIP 0.1UF 25V		
751		UD	CAPACITOR		C3826	1-162-970-11	CERAMIC CHIP 0.01UF 10.00% 25V		
752		UD	CAPACITOR		C3827	1-164-156-11	CERAMIC CHIP 0.1UF 25V		
753		UD	CAPACITOR		C3828	1-124-779-00	ELECT CHIP 10UF 20.00% 16V		
754		UD	CAPACITOR		C3829	1-164-156-11	CERAMIC CHIP 0.1UF 25V		
755		UD	CAPACITOR		C3832	1-126-395-11	ELECT CHIP 22UF 20.00% 16V		
756		UD	CAPACITOR		C3833	1-126-395-11	ELECT CHIP 22UF 20.00% 16V		
757		UD	CAPACITOR		C3834	1-162-970-11	CERAMIC CHIP 0.01UF 10.00% 25V		
758		UD	CAPACITOR		C3837	1-162-970-11	CERAMIC CHIP 0.01UF 10.00% 25V		
759		UD	CAPACITOR		C3838	1-162-970-11	CERAMIC CHIP 0.01UF 10.00% 25V		
760		UD	CAPACITOR		C3840	1-162-970-11	CERAMIC CHIP 0.01UF 10.00% 25V		
761		UD	CAPACITOR		C3841	1-162-970-11	CERAMIC CHIP 0.01UF 10.00% 25V		
762		UD	CAPACITOR		C3842	1-162-970-11	CERAMIC CHIP 0.01UF 10.00% 25V		
763		UD	CAPACITOR		C3843	1-164-156-11	CERAMIC CHIP 0.1UF 25V		
764		UD	CAPACITOR		C3844	1-162-970-11	CERAMIC CHIP 0.01UF 10.00% 25V		
765		UD	CAPACITOR		C3845	1-162-970-11	CERAMIC CHIP 0.01UF 10.00% 25V		
766		UD	CAPACITOR		C3846	1-162-970-11	CERAMIC CHIP 0.01UF 10.00% 25V		
767		UD	CAPACITOR		C3847	1-164-156-11	CERAMIC CHIP 0.1UF 25V		
768		UD	CAPACITOR		C3848	1-164-156-11	CERAMIC CHIP 0.1UF 25V		
769		UD	CAPACITOR		C3849	1-162-970-11	CERAMIC CHIP 0.01UF 10.00% 25V		
770		UD	CAPACITOR		C3850	1-162-927-11	CERAMIC CHIP 100PF 5.00% 50V		
771		UD	CAPACITOR		C3851	1-162-970-11	CERAMIC CHIP 0.01UF 10.00% 25V		
772		UD	CAPACITOR		C3852	1-115-416-11	CERAMIC CHIP 0.001UF 5.00% 25V		
773		UD	CAPACITOR		C3854	1-124-779-00	ELECT CHIP 10UF 20.00% 16V		
774		UD	CAPACITOR		C3860	1-162-927-11	CERAMIC CHIP 100PF 5.00% 50V		
775		UD	CAPACITOR		C3861	1-162-970-11	CERAMIC CHIP 0.01UF 10.00% 25V		
776		UD	CAPACITOR		C3862	1-164-156-11	CERAMIC CHIP 0.1UF 25V		
777		UD	CAPACITOR		C3863	1-164-156-11	CERAMIC CHIP 0.1UF 25V		
778		UD	CAPACITOR		C3864	1-162-970-11	CERAMIC CHIP 0.01UF 10.00% 25V		
779		UD	CAPACITOR		C3865	1-124-779-00	ELECT CHIP 10UF 20.00% 16V		
780		UD	CAPACITOR		C3866	1-124-779-00	ELECT CHIP 10UF 20.00% 16V		
781		UD	CAPACITOR		C3867	1-164-156-11	CERAMIC CHIP 0.1UF 25V		
782		UD	CAPACITOR		C3868	1-126-395-11	ELECT CHIP 22UF 20.00% 16V		
783		UD	CAPACITOR		C3869	1-164-156-11	CERAMIC CHIP 0.1UF 25V		
784		UD	CAPACITOR		C3872	1-162-970-11	CERAMIC CHIP 0.01UF 10.00% 25V		
785		UD	CAPACITOR		C3873	1-162-970-11	CERAMIC CHIP 0.01UF 10.00% 25V		
786		UD	CAPACITOR		C3874	1-162-923-11	CERAMIC CHIP 47PF 5.00% 50V		
787		UD	CAPACITOR		C3875	1-162-923-11	CERAMIC CHIP 47PF 5.00% 50V		
788		UD	CAPACITOR		C3876	1-162-923-11	CERAMIC CHIP 47PF 5.00% 50V		
789		UD	CAPACITOR		C3878	1-162-970-11	CERAMIC CHIP 0.01UF 10.00% 25V		
790		UD	CAPACITOR		C3879	1-162-970-11	CERAMIC CHIP 0.01UF 10.00% 25V		
791		UD	CAPACITOR		C3880	1-124-779-00	ELECT CHIP 10UF 20.00% 16V		
792		UD	CAPACITOR		C3881	1-124-779-00	ELECT CHIP 10UF 20.00% 16V		
793		UD	CAPACITOR		C3883	1-162-921-11	CERAMIC CHIP 33PF 5.00% 50V		
794		UD	CAPACITOR		C3884	1-162-921-11	CERAMIC CHIP 33PF 5.00% 50V		
795		UD	CAPACITOR		C3885	1-164-156-11	CERAMIC CHIP 0.1UF 25V		
796		UD	CAPACITOR		C3886	1-124-779-00	ELECT CHIP 10UF 20.00% 16V		
797		UD	CAPACITOR		C3887	1-164-156-11	CERAMIC CHIP 0.1UF 25V		
798		UD	CONNECTOR		CN3800	1-816-228-11	CONNECTOR, DVI		
799		UD	CONNECTOR		CN3801	1-569-775-11	PIN, CONNECTOR (SMD) 5P		
800		UD	CONNECTOR	*	CN3802	1-779-268-21	PIN, CONNECTOR (1.5MM)(SMD)11P		
801		UD	DIODE		D3800	8-719-069-55	DIODE UDZSTE-175.6B		
802		UD	DIODE		D3801	8-719-069-55	DIODE UDZSTE-175.6B		
803		UD	DIODE		D3803	8-719-069-55	DIODE UDZSTE-175.6B		

No.	#	Board	Type	△/*	Ref. No.	Part No.	Description	Remarks-1	Remarks-2
804		UD	DIODE		D3805	8-719-069-55	DIODE UDZSTE-175.6B		
805		UD	DIODE		D3806	8-719-914-43	DIODE DAN202K		
806		UD	DIODE		D3807	8-719-069-55	DIODE UDZSTE-175.6B		
807		UD	FERRITE BEAD		FB3800	1-414-760-21	FERRITE 0UH		
808		UD	FERRITE BEAD		FB3801	1-414-760-21	FERRITE 0UH		
809		UD	FERRITE BEAD		FB3802	1-414-760-21	FERRITE 0UH		
810		UD	FERRITE BEAD		FB3803	1-414-760-21	FERRITE 0UH		
811		UD	FERRITE BEAD		FB3804	1-469-836-21	FERRITE 0UH		
812		UD	FERRITE BEAD		FB3805	1-469-836-21	FERRITE 0UH		
813		UD	FERRITE BEAD		FB3806	1-469-836-21	FERRITE 0UH		
814		UD	FERRITE BEAD		FB3807	1-414-760-21	FERRITE 0UH		
815		UD	FERRITE BEAD		FB3808	1-414-760-21	FERRITE 0UH		
816		UD	FERRITE BEAD		FB3809	1-414-760-21	FERRITE 0UH		
817		UD	FERRITE BEAD		FB3810	1-414-760-21	FERRITE 0UH		
818		UD	FERRITE BEAD		FB3811	1-414-760-21	FERRITE 0UH		
819		UD	FILTER		FL3800	1-234-560-21	FILTER, LOW PASS		
820		UD	FILTER		FL3801	1-234-560-21	FILTER, LOW PASS		
821		UD	FILTER		FL3802	1-234-560-21	FILTER, LOW PASS		
822		UD	FILTER		FL3803	1-400-087-21	FILTER, EMI REMOVAL (SMD)		
823		UD	IC		IC3800	6-702-170-01	IC PACDN006S		
824		UD	IC		IC3801	6-702-170-01	IC PACDN006S		
825		UD	IC		IC3803	6-702-080-01	IC GM7030-H		
826		UD	IC		IC3804	8-759-640-39	IC BR24C02F-WE2		
827		UD	IC		IC3805	8-749-015-18	IC PQ07VZ012ZP		
828		UD	IC		IC3806	8-749-015-18	IC PQ07VZ012ZP		
829		UD	IC		IC3807	6-802-346-01	IC ST72631K4M1/NNLTR		
830		UD	IC		IC3808	8-759-641-86	IC BR24C16F-E2		
831		UD	COIL		L3800	1-412-058-11	INDUCTOR 10UH		
832		UD	COIL		L3801	1-469-856-21	INDUCTOR 10UH		
833		UD	COIL		L3802	1-469-856-21	INDUCTOR 10UH		
834		UD	RESISTOR		R3800	1-216-803-11	METAL CHIP 33 5% 1/10W		
835		UD	RESISTOR		R3801	1-216-833-11	METAL CHIP 10K 5% 1/10W		
836		UD	RESISTOR		R3802	1-216-833-11	METAL CHIP 10K 5% 1/10W		
837		UD	RESISTOR		R3806	1-216-833-11	METAL CHIP 10K 5% 1/10W		
838		UD	RESISTOR		R3807	1-216-833-11	METAL CHIP 10K 5% 1/10W		
839		UD	RESISTOR		R3808	1-216-833-11	METAL CHIP 10K 5% 1/10W		
840		UD	RESISTOR		R3810	1-216-864-11	SHORT CHIP 0		
841		UD	RESISTOR		R3817	1-218-692-11	METAL CHIP 1K 0.5% 1/10W		
842		UD	RESISTOR		R3818	1-218-704-11	METAL CHIP 3.3K 0.5% 1/10W		
843		UD	RESISTOR		R3819	1-216-864-11	SHORT CHIP 0		
844		UD	RESISTOR		R3820	1-216-864-11	SHORT CHIP 0		
845		UD	RESISTOR		R3821	1-216-806-11	METAL CHIP 56 5% 1/10W		
846		UD	RESISTOR		R3822	1-216-806-11	METAL CHIP 56 5% 1/10W		
847		UD	RESISTOR		R3823	1-218-694-11	METAL CHIP 1.2K 0.5% 1/10W		
848		UD	RESISTOR		R3827	1-216-833-11	METAL CHIP 10K 5% 1/10W		
849		UD	RESISTOR		R3828	1-216-864-11	SHORT CHIP 0		
850		UD	RESISTOR		R3829	1-216-864-11	SHORT CHIP 0		
851		UD	RESISTOR		R3830	1-216-864-11	SHORT CHIP 0		
852		UD	RESISTOR		R3831	1-216-805-11	METAL CHIP 47 5% 1/10W		
853		UD	RESISTOR		R3832	1-216-805-11	METAL CHIP 47 5% 1/10W		
854		UD	RESISTOR		R3833	1-218-700-11	METAL CHIP 2.2K 0.5% 1/10W		
855		UD	RESISTOR		R3834	1-218-700-11	METAL CHIP 2.2K 0.5% 1/10W		
856		UD	RESISTOR		R3835	1-218-700-11	METAL CHIP 2.2K 0.5% 1/10W		
857		UD	RESISTOR		R3836	1-218-676-11	METAL CHIP 220 0.5% 1/10W		
858		UD	RESISTOR		R3837	1-218-676-11	METAL CHIP 220 0.5% 1/10W		
859		UD	RESISTOR		R3838	1-218-676-11	METAL CHIP 220 0.5% 1/10W		
860		UD	RESISTOR		R3839	1-216-821-11	METAL CHIP 1K 5% 1/10W		
861		UD	RESISTOR		R3840	1-216-821-11	METAL CHIP 1K 5% 1/10W		
862		UD	RESISTOR		R3841	1-216-864-11	SHORT CHIP 0		
863		UD	RESISTOR		R3843	1-216-864-11	SHORT CHIP 0		
864		UD	RESISTOR		R3845	1-216-864-11	SHORT CHIP 0		
865		UD	RESISTOR		R3847	1-218-852-11	METAL CHIP 1.6K 0.5% 1/10W		
866		UD	RESISTOR		R3848	1-216-821-11	METAL CHIP 1K 5% 1/10W		
867		UD	RESISTOR		R3849	1-216-821-11	METAL CHIP 1K 5% 1/10W		
868		UD	RESISTOR		R3850	1-216-821-11	METAL CHIP 1K 5% 1/10W		
869		UD	RESISTOR		R3851	1-216-833-11	METAL CHIP 10K 5% 1/10W		
870		UD	RESISTOR		R3852	1-216-833-11	METAL CHIP 10K 5% 1/10W		
871		UD	RESISTOR		R3853	1-216-833-11	METAL CHIP 10K 5% 1/10W		
872		UD	RESISTOR		R3854	1-218-676-11	METAL CHIP 220 0.5% 1/10W		
873		UD	RESISTOR		R3855	1-218-676-11	METAL CHIP 220 0.5% 1/10W		
874		UD	RESISTOR		R3856	1-218-676-11	METAL CHIP 220 0.5% 1/10W		
875		UD	RESISTOR		R3858	1-218-700-11	METAL CHIP 2.2K 0.5% 1/10W		
876		UD	RESISTOR		R3859	1-218-700-11	METAL CHIP 2.2K 0.5% 1/10W		

No.	#	Board	Type	△/*	Ref. No.	Part No.	Description	Remarks-1	Remarks-2
877		UD	RESISTOR		R3860	1-218-700-11	METAL CHIP 2.2K 0.5% 1/10W		
878		UD	RESISTOR		R3861	1-216-803-11	METAL CHIP 33 5% 1/10W		
879		UD	RESISTOR		R3863	1-216-833-11	METAL CHIP 10K 5% 1/10W		
880		UD	RESISTOR		R3865	1-216-833-11	METAL CHIP 10K 5% 1/10W		
881		UD	RESISTOR		R3866	1-216-833-11	METAL CHIP 10K 5% 1/10W		
882		UD	RESISTOR		R3867	1-216-864-11	SHORT CHIP 0		
883		UD	RESISTOR		R3868	1-216-833-11	METAL CHIP 10K 5% 1/10W		
884		UD	RESISTOR		R3869	1-216-833-11	METAL CHIP 10K 5% 1/10W		
885		UD	RESISTOR		R3870	1-216-833-11	METAL CHIP 10K 5% 1/10W		
886		UD	RESISTOR		R3871	1-216-833-11	METAL CHIP 10K 5% 1/10W		
887		UD	RESISTOR		R3873	1-216-864-11	SHORT CHIP 0		
888		UD	RESISTOR		R3878	1-216-833-11	METAL CHIP 10K 5% 1/10W		
889		UD	RESISTOR		R3879	1-216-833-11	METAL CHIP 10K 5% 1/10W		
890		UD	RESISTOR		R3880	1-216-805-11	METAL CHIP 47 5% 1/10W		
891		UD	RESISTOR		R3881	1-216-805-11	METAL CHIP 47 5% 1/10W		
892		UD	RESISTOR		R3883	1-216-833-11	METAL CHIP 10K 5% 1/10W		
893		UD	RESISTOR		R3885	1-216-833-11	METAL CHIP 10K 5% 1/10W		
894		UD	RESISTOR		R3886	1-216-829-11	METAL CHIP 4.7K 5% 1/10W		
895		UD	RESISTOR		R3887	1-216-829-11	METAL CHIP 4.7K 5% 1/10W		
896		UD	RESISTOR		R3888	1-216-837-11	METAL CHIP 22K 5% 1/10W		
897		UD	RESISTOR		R3889	1-216-864-11	SHORT CHIP 0		
898		UD	RESISTOR		R3893	1-216-805-11	METAL CHIP 47 5% 1/10W		
899		UD	RESISTOR		R3894	1-216-805-11	METAL CHIP 47 5% 1/10W		
900		UD	RESISTOR		R3895	1-216-805-11	METAL CHIP 47 5% 1/10W		
901		UD	RESISTOR		R3896	1-216-837-11	METAL CHIP 22K 5% 1/10W		
902		UD	CRYSTAL		X3800	1-795-568-21	VIBRATOR, CRYSTAL		
903		UD	CRYSTAL		X3801	1-795-567-21	VIBRATOR, CRYSTAL		
904	A	LED HOLDER		*	A2001	4-042-408-01	PIN, COATING LEAD		
905	A	LED HOLDER		*	A2002	4-042-408-01	PIN, COATING LEAD		
906	A	LED HOLDER		*	A2003	4-042-408-01	PIN, COATING LEAD		
907	A	CAPACITOR			C2514	1-109-982-11	CERAMIC CHIP 1UF 10.00% 10V		
908	A	CAPACITOR			C2515	1-100-159-91	CERAMIC CHIP 22UF 10% 6.3V		
909	A	CAPACITOR			C2516	1-164-156-11	CERAMIC CHIP 0.1UF 25V		
910	A	CAPACITOR			C2517	1-100-159-91	CERAMIC CHIP 22UF 10% 6.3V		
911	A	CAPACITOR			C2518	1-126-394-11	ELECT CHIP 10UF 20.00% 16V		
912	A	CAPACITOR			C2519	1-125-891-11	CERAMIC CHIP 0.47UF 10.00% 10V		
913	A	CAPACITOR			C2520	1-125-891-11	CERAMIC CHIP 0.47UF 10.00% 10V		
914	A	CAPACITOR			C2521	1-131-661-21	ELECT CHIP 100UF 20% 10V		
915	A	CAPACITOR			C2522	1-107-826-11	CERAMIC CHIP 0.1UF 10.00% 16V		
916	A	CAPACITOR			C2523	1-107-826-11	CERAMIC CHIP 0.1UF 10.00% 16V		
917	A	CAPACITOR			C2524	1-131-661-21	ELECT CHIP 100UF 20% 10V		
918	A	CAPACITOR			C2532	1-107-826-11	CERAMIC CHIP 0.1UF 10.00% 16V		
919	A	CAPACITOR			C2533	1-162-966-11	CERAMIC CHIP 0.0022UF 10.00% 50V		
920	A	CAPACITOR			C2540	1-125-837-91	CERAMIC CHIP 1UF 10% 6.3V		
921	A	CAPACITOR			C2542	1-162-970-11	CERAMIC CHIP 0.01UF 10.00% 25V		
922	A	CAPACITOR			C2545	1-107-826-11	CERAMIC CHIP 0.1UF 10.00% 16V		
923	A	CAPACITOR			C2555	1-164-156-11	CERAMIC CHIP 0.1UF 25V		
924	A	CAPACITOR			C2560	1-126-394-11	ELECT CHIP 10UF 20.00% 16V		
925	A	CAPACITOR			C2563	1-164-360-11	CERAMIC CHIP 0.1UF 16V		
926	A	CAPACITOR			C2580	1-125-891-11	CERAMIC CHIP 0.47UF 10.00% 10V		
927	A	CAPACITOR			C2581	1-125-891-11	CERAMIC CHIP 0.47UF 10.00% 10V		
928	A	CAPACITOR			C2582	1-126-394-11	ELECT CHIP 10UF 20.00% 16V		
929	A	CAPACITOR			C2584	1-107-826-11	CERAMIC CHIP 0.1UF 10.00% 16V		
930	A	CAPACITOR			C2585	1-128-416-11	ELECT CHIP 100UF 20.00% 16V		
931	A	CAPACITOR			C2587	1-125-891-11	CERAMIC CHIP 0.47UF 10.00% 10V		
932	A	CAPACITOR			C2588	1-125-891-11	CERAMIC CHIP 0.47UF 10.00% 10V		
933	A	CAPACITOR			C2589	1-125-891-11	CERAMIC CHIP 0.47UF 10.00% 10V		
934	A	CAPACITOR			C2590	1-125-891-11	CERAMIC CHIP 0.47UF 10.00% 10V		
935	A	CAPACITOR			C2632	1-127-692-11	CERAMIC CHIP 10UF 10% 16V		
936	A	CAPACITOR			C2633	1-127-692-11	CERAMIC CHIP 10UF 10% 16V		
937	A	CAPACITOR			C2634	1-107-826-11	CERAMIC CHIP 0.1UF 10.00% 16V		
938	A	CAPACITOR			C2635	1-127-692-11	CERAMIC CHIP 10UF 10% 16V		
939	A	CAPACITOR			C2636	1-127-692-11	CERAMIC CHIP 10UF 10% 16V		
940	A	CAPACITOR			C2637	1-127-692-11	CERAMIC CHIP 10UF 10% 16V		
941	A	CAPACITOR			C2638	1-107-826-11	CERAMIC CHIP 0.1UF 10.00% 16V		
942	A	CAPACITOR			C2655	1-164-315-11	CERAMIC CHIP 470PF 5.00% 50V		
943	A	CAPACITOR			C2803	1-165-112-11	CERAMIC CHIP 0.33UF 16V		
944	A	CAPACITOR			C2804	1-165-112-11	CERAMIC CHIP 0.33UF 16V		
945	A	CAPACITOR			C2805	1-127-715-91	CERAMIC CHIP 0.22UF 10% 16V		
946	A	CAPACITOR			C2806	1-127-715-91	CERAMIC CHIP 0.22UF 10% 16V		
947	A	CAPACITOR			C2807	1-164-346-11	CERAMIC CHIP 1UF 16V		
948	A	CAPACITOR			C2808	1-164-346-11	CERAMIC CHIP 1UF 16V		
949	A	CAPACITOR			C2809	1-135-346-21	ELECT CHIP 39UF 20% 16V		

No.	#	Board	Type	Δ/μ^*	Ref. No.	Part No.	Description	Remarks-1	Remarks-2
950		A	CAPACITOR		C2810	1-107-826-11	CERAMIC CHIP 0.1UF 10.00% 16V		
951		A	CAPACITOR		C2812	1-164-360-11	CERAMIC CHIP 0.1UF 16V		
952		A	CAPACITOR		C2813	1-164-360-11	CERAMIC CHIP 0.1UF 16V		
953		A	CAPACITOR		C2814	1-115-566-11	CERAMIC CHIP 4.7UF 10.00% 10V		
954		A	CAPACITOR		C2816	1-115-566-11	CERAMIC CHIP 4.7UF 10.00% 10V		
955		A	CAPACITOR		C2817	1-165-875-11	CERAMIC CHIP 10UF 10% 10V		
956		A	CAPACITOR		C2818	1-162-970-11	CERAMIC CHIP 0.01UF 10.00% 25V		
957		A	CAPACITOR		C2819	1-165-875-11	CERAMIC CHIP 10UF 10% 10V		
958		A	CAPACITOR		C2820	1-107-826-11	CERAMIC CHIP 0.1UF 10.00% 16V		
959		A	CAPACITOR		C2822	1-165-112-11	CERAMIC CHIP 0.33UF 16V		
960		A	CAPACITOR		C2823	1-165-112-11	CERAMIC CHIP 0.33UF 16V		
961		A	CAPACITOR		C4601	1-162-970-11	CERAMIC CHIP 0.01UF 10.00% 25V		
962		A	CAPACITOR		C4602	1-162-970-11	CERAMIC CHIP 0.01UF 10.00% 25V		
963		A	CAPACITOR		C4603	1-162-970-11	CERAMIC CHIP 0.01UF 10.00% 25V		
964		A	CAPACITOR		C4604	1-162-923-11	CERAMIC CHIP 47PF 5.00% 50V		
965		A	CAPACITOR		C4605	1-164-227-11	CERAMIC CHIP 0.022UF 10.00% 25V		
966		A	CAPACITOR		C4606	1-164-004-11	CERAMIC CHIP 0.1UF 10.00% 25V		
967		A	CAPACITOR		C4607	1-127-573-11	CERAMIC CHIP 1UF 10% 16V		
968		A	CAPACITOR		C4608	1-162-970-11	CERAMIC CHIP 0.01UF 10.00% 25V		
969		A	CAPACITOR		C4609	1-164-245-11	CERAMIC CHIP 0.015UF 10.00% 25V		
970		A	CAPACITOR		C4610	1-162-969-11	CERAMIC CHIP 0.0068UF 10.00% 25V		
971		A	CAPACITOR		C4612	1-162-968-11	CERAMIC CHIP 0.0047UF 10.00% 50V		
972		A	CAPACITOR		C4613	1-127-760-11	CERAMIC CHIP 4.7UF 10% 6.3V		
973		A	CAPACITOR		C4614	1-164-004-11	CERAMIC CHIP 0.1UF 10.00% 25V		
974		A	CAPACITOR		C4615	1-164-004-11	CERAMIC CHIP 0.1UF 10.00% 25V		
975		A	CAPACITOR		C4616	1-127-760-11	CERAMIC CHIP 4.7UF 10% 6.3V		
976		A	CAPACITOR		C4617	1-127-760-11	CERAMIC CHIP 4.7UF 10% 6.3V		
977		A	CAPACITOR		C4618	1-127-738-91	CERAMIC CHIP 4.7UF 10% 25V		
978		A	CAPACITOR		C4619	1-137-894-21	ELECT CHIP 470UF 20% 25V		
979		A	CAPACITOR		C4620	1-164-156-11	CERAMIC CHIP 0.1UF 25V		
980		A	CAPACITOR		C4621	1-126-396-11	ELECT CHIP 47UF 20.00% 16V		
981		A	CAPACITOR		C4622	1-128-536-11	ELECT CHIP 100UF 20.00% 25V		
982		A	CAPACITOR		C4623	1-107-826-11	CERAMIC CHIP 0.1UF 10.00% 16V		
983		A	CAPACITOR		C4624	1-164-004-11	CERAMIC CHIP 0.1UF 10.00% 25V		
984		A	CAPACITOR		C4625	1-107-826-11	CERAMIC CHIP 0.1UF 10.00% 16V		
985		A	CAPACITOR		C4626	1-107-826-11	CERAMIC CHIP 0.1UF 10.00% 16V		
986		A	CAPACITOR		C4627	1-126-396-11	ELECT CHIP 47UF 20.00% 16V		
987		A	CAPACITOR		C4628	1-128-360-11	ELECT CHIP 220UF 20.00% 10V		
988		A	CAPACITOR		C4629	1-135-960-91	CERAMIC CHIP 10UF 10% 25V		
989		A	CAPACITOR		C4630	1-135-960-91	CERAMIC CHIP 10UF 10% 25V		
990		A	CAPACITOR		C4631	1-135-346-21	ELECT CHIP 39UF 20% 16V		
991		A	CAPACITOR		C4632	1-135-346-21	ELECT CHIP 39UF 20% 16V		
992		A	CAPACITOR		C4633	1-137-894-21	ELECT CHIP 470UF 20% 25V		
993		A	CAPACITOR		C4634	1-137-894-21	ELECT CHIP 470UF 20% 25V		
994		A	CAPACITOR		C4635	1-127-760-11	CERAMIC CHIP 4.7UF 10% 6.3V		
995		A	CAPACITOR		C4636	1-162-970-11	CERAMIC CHIP 0.01UF 10.00% 25V		
996		A	CAPACITOR		C4637	1-127-573-11	CERAMIC CHIP 1UF 10% 16V		
997		A	CAPACITOR		C4640	1-107-826-11	CERAMIC CHIP 0.1UF 10.00% 16V		
998		A	CAPACITOR		C4641	1-127-573-11	CERAMIC CHIP 1UF 10% 16V		
999		A	CAPACITOR		C4642	1-162-970-11	CERAMIC CHIP 0.01UF 10.00% 25V		
1000		A	CAPACITOR		C4646	1-162-964-11	CERAMIC CHIP 0.001UF 10.00% 50V		
1001		A	CAPACITOR		C6449	1-115-339-11	CERAMIC CHIP 0.1UF 10.00% 50V		
1002		A	CAPACITOR		C6450	1-126-404-11	ELECT CHIP 4.7UF 20.00% 50V		
1003		A	CAPACITOR		C6451	1-126-404-11	ELECT CHIP 4.7UF 20.00% 50V		
1004		A	CAPACITOR		C6452	1-127-715-91	CERAMIC CHIP 0.22UF 10% 16V		
1005		A	CAPACITOR		C6453	1-162-964-11	CERAMIC CHIP 0.001UF 10.00% 50V		
1006		A	CAPACITOR		C6454	1-162-968-11	CERAMIC CHIP 0.0047UF 10.00% 50V		
1007		A	CAPACITOR		C6455	1-126-396-11	ELECT CHIP 47UF 20.00% 16V		
1008		A	CAPACITOR		C6456	1-164-156-11	CERAMIC CHIP 0.1UF 25V		
1009		A	CAPACITOR		C6458	1-131-661-21	ELECT CHIP 100UF 20% 10V		
1010		A	CAPACITOR		C6459	1-162-995-11	CERAMIC CHIP 0.022UF 50V		
1011		A	CAPACITOR		C6460	1-107-826-11	CERAMIC CHIP 0.1UF 10.00% 16V		
1012		A	CAPACITOR		C6461	1-126-396-11	ELECT CHIP 47UF 20.00% 16V		
1013		A	CAPACITOR		C6462	1-126-396-11	ELECT CHIP 47UF 20.00% 16V		
1014		A	CAPACITOR		C6464	1-126-394-11	ELECT CHIP 10UF 20.00% 16V		
1015		A	CAPACITOR		C6701	1-115-459-11	ELECT CHIP 47UF 20.00% 6.3V		
1016		A	CAPACITOR		C6702	1-126-391-11	ELECT CHIP 47UF 20.00% 6.3V		
1017		A	CAPACITOR		C6703	1-107-826-11	CERAMIC CHIP 0.1UF 10.00% 16V		
1018		A	CAPACITOR		C6704	1-126-394-11	ELECT CHIP 10UF 20.00% 16V		
1019		A	CAPACITOR		C6705	1-126-394-11	ELECT CHIP 10UF 20.00% 16V		
1020		A	CAPACITOR		C6706	1-162-970-11	CERAMIC CHIP 0.01UF 10.00% 25V		
1021		A	CAPACITOR		C6707	1-162-970-11	CERAMIC CHIP 0.01UF 10.00% 25V		
1022		A	CAPACITOR		C6708	1-115-416-11	CERAMIC CHIP 0.001UF 5.00% 25V		

No.	#	Board	Type	Δ/V^*	Ref. No.	Part No.	Description	Remarks-1	Remarks-2
1023		A	CAPACITOR		C7001	1-125-889-91	CERAMIC CHIP 2.2UF 10% 10V		
1024		A	CAPACITOR		C7002	1-126-396-11	ELECT CHIP 47UF 20.00% 16V		
1025		A	CAPACITOR		C7003	1-107-890-11	ELECT 2200UF 20.00% 25V		
1026		A	CAPACITOR		C7004	1-115-339-11	CERAMIC CHIP 0.1UF 10.00% 50V		
1027		A	CAPACITOR		C7005	1-107-826-11	CERAMIC CHIP 0.1UF 10.00% 16V		
1028		A	CAPACITOR		C7006	1-126-394-11	ELECT CHIP 10UF 20.00% 16V		
1029		A	CAPACITOR		C7008	1-137-894-21	ELECT CHIP 470UF 20% 25V		
1030		A	CAPACITOR		C7009	1-125-889-91	CERAMIC CHIP 2.2UF 10% 10V		
1031		A	CAPACITOR		C7010	1-125-889-91	CERAMIC CHIP 2.2UF 10% 10V		
1032		A	CAPACITOR		C7011	1-126-396-11	ELECT CHIP 47UF 20.00% 16V		
1033		A	CAPACITOR		C7012	1-126-394-11	ELECT CHIP 10UF 20.00% 16V		
1034		A	CAPACITOR		C7013	1-125-889-91	CERAMIC CHIP 2.2UF 10% 10V		
1035		A	CAPACITOR		C7014	1-126-394-11	ELECT CHIP 10UF 20.00% 16V		
1036		A	CAPACITOR		C7015	1-126-396-11	ELECT CHIP 47UF 20.00% 16V		
1037		A	CAPACITOR		C7016	1-107-826-11	CERAMIC CHIP 0.1UF 10.00% 16V		
1038		A	CAPACITOR		C7018	1-162-966-11	CERAMIC CHIP 0.0022UF 10.00% 50V		
1039		A	CAPACITOR		C7019	1-162-966-11	CERAMIC CHIP 0.0022UF 10.00% 50V		
1040		A	CAPACITOR		C7020	1-162-966-11	CERAMIC CHIP 0.0022UF 10.00% 50V		
1041		A	CAPACITOR		C7021	1-162-967-11	CERAMIC CHIP 0.0033UF 10.00% 50V		
1042		A	CAPACITOR		C7023	1-125-889-91	CERAMIC CHIP 2.2UF 10% 10V		
1043		A	CAPACITOR		C7024	1-164-344-11	CERAMIC CHIP 0.068UF 10.00% 25V		
1044		A	CAPACITOR		C7025	1-162-966-11	CERAMIC CHIP 0.0022UF 10.00% 50V		
1045		A	CAPACITOR		C7026	1-162-967-11	CERAMIC CHIP 0.0033UF 10.00% 50V		
1046		A	CAPACITOR		C7027	1-165-176-61	CERAMIC CHIP 0.047UF 10.00% 16V		
1047		A	CAPACITOR		C7028	1-165-176-61	CERAMIC CHIP 0.047UF 10.00% 16V		
1048		A	CAPACITOR		C7029	1-165-176-61	CERAMIC CHIP 0.047UF 10.00% 16V		
1049		A	CAPACITOR		C7030	1-164-230-11	CERAMIC CHIP 220PF 5.00% 50V		
1050		A	CAPACITOR		C7031	1-107-826-11	CERAMIC CHIP 0.1UF 10.00% 16V		
1051		A	CAPACITOR		C7032	1-165-176-61	CERAMIC CHIP 0.047UF 10.00% 16V		
1052		A	CAPACITOR		C7033	1-125-889-91	CERAMIC CHIP 2.2UF 10% 10V		
1053		A	CAPACITOR		C7036	1-126-394-11	ELECT CHIP 10UF 20.00% 16V		
1054		A	CAPACITOR		C7038	1-164-230-11	CERAMIC CHIP 220PF 5.00% 50V		
1055		A	CAPACITOR		C7039	1-107-826-11	CERAMIC CHIP 0.1UF 10.00% 16V		
1056		A	CAPACITOR		C7040	1-107-826-11	CERAMIC CHIP 0.1UF 10.00% 16V		
1057		A	CAPACITOR		C7041	1-115-339-11	CERAMIC CHIP 0.1UF 10.00% 50V		
1058		A	CAPACITOR		C7042	1-107-826-11	CERAMIC CHIP 0.1UF 10.00% 16V		
1059		A	CAPACITOR		C7043	1-107-890-11	ELECT 2200UF 20.00% 25V		
1060		A	CAPACITOR		C7044	1-126-396-11	ELECT CHIP 47UF 20.00% 16V		
1061		A	CAPACITOR		C7045	1-164-344-11	CERAMIC CHIP 0.068UF 10.00% 25V		
1062		A	CAPACITOR		C7046	1-162-966-11	CERAMIC CHIP 0.0022UF 10.00% 50V		
1063		A	CAPACITOR		C7047	1-162-967-11	CERAMIC CHIP 0.0033UF 10.00% 50V		
1064		A	CAPACITOR		C7048	1-162-966-11	CERAMIC CHIP 0.0022UF 10.00% 50V		
1065		A	CAPACITOR		C7049	1-162-967-11	CERAMIC CHIP 0.0033UF 10.00% 50V		
1066		A	CAPACITOR		C7051	1-115-339-11	CERAMIC CHIP 0.1UF 10.00% 50V		
1067		A	CAPACITOR		C7053	1-126-401-21	ELECT CHIP 1UF 20.00% 50V		
1068		A	CAPACITOR		C7054	1-115-339-11	CERAMIC CHIP 0.1UF 10.00% 50V		
1069		A	CAPACITOR		C7055	1-115-339-11	CERAMIC CHIP 0.1UF 10.00% 50V		
1070		A	CAPACITOR		C7056	1-107-914-11	ELECT 1000UF 20.00% 50V		
1071		A	CAPACITOR		C7057	1-107-914-11	ELECT 1000UF 20.00% 50V		
1072		A	CAPACITOR		C7058	1-107-826-11	CERAMIC CHIP 0.1UF 10.00% 16V		
1073		A	CAPACITOR		C7059	1-107-826-11	CERAMIC CHIP 0.1UF 10.00% 16V		
1074		A	CAPACITOR		C7060	1-107-826-11	CERAMIC CHIP 0.1UF 10.00% 16V		
1075		A	CAPACITOR		C7061	1-127-573-11	CERAMIC CHIP 1UF 10% 16V		
1076		A	CAPACITOR		C7062	1-125-889-91	CERAMIC CHIP 2.2UF 10% 10V		
1077		A	CAPACITOR		C7063	1-125-889-91	CERAMIC CHIP 2.2UF 10% 10V		
1078		A	CAPACITOR		C7064	1-125-889-91	CERAMIC CHIP 2.2UF 10% 10V		
1079		A	CAPACITOR		C7065	1-127-573-11	CERAMIC CHIP 1UF 10% 16V		
1080		A	CAPACITOR		C7066	1-127-715-91	CERAMIC CHIP 0.22UF 10% 16V		
1081		A	CAPACITOR		C7067	1-165-176-11	CERAMIC CHIP 0.047UF 10.00% 16V		
1082		A	CAPACITOR		C7068	1-162-970-11	CERAMIC CHIP 0.01UF 10.00% 25V		
1083		A	CAPACITOR		C7069	1-115-339-11	CERAMIC CHIP 0.1UF 10.00% 50V		
1084		A	CAPACITOR		C7070	1-127-692-11	CERAMIC CHIP 10UF 10% 16V		
1085		A	CAPACITOR		C7071	1-128-526-11	ELECT 100UF 20.00% 25V		
1086		A	CAPACITOR		C7072	1-107-826-11	CERAMIC CHIP 0.1UF 10.00% 16V		
1087		A	CAPACITOR		C7073	1-127-692-11	CERAMIC CHIP 10UF 10% 16V		
1088		A	CAPACITOR		C7074	1-127-573-11	CERAMIC CHIP 1UF 10% 16V		
1089		A	CAPACITOR		C7075	1-126-396-11	ELECT CHIP 47UF 20.00% 16V		
1090		A	CAPACITOR		C7078	1-127-573-11	CERAMIC CHIP 1UF 10% 16V		
1091		A	CAPACITOR		C7079	1-110-501-11	CERAMIC CHIP 0.33UF 10.00% 16V		
1092		A	CAPACITOR		C7080	1-107-826-11	CERAMIC CHIP 0.1UF 10.00% 16V		
1093		A	CAPACITOR		C7081	1-126-394-11	ELECT CHIP 10UF 20.00% 16V		
1094		A	CAPACITOR		C7082	1-162-970-11	CERAMIC CHIP 0.01UF 10.00% 25V		
1095		A	CAPACITOR		C7083	1-162-960-11	CERAMIC CHIP 220PF 10.00% 50V		

No.	#	Board	Type	△/*	Ref. No.	Part No.	Description	Remarks-1	Remarks-2
1096		A	CAPACITOR		C7084	1-126-394-11	ELECT CHIP 10UF 20.00% 16V		
1097		A	CAPACITOR		C7086	1-126-397-11	ELECT CHIP 33UF 20.00% 25V		
1098		A	CAPACITOR		C7087	1-107-823-11	CERAMIC CHIP 0.47UF 10.00% 16V		
1099		A	CAPACITOR		C7088	1-110-501-11	CERAMIC CHIP 0.33UF 10.00% 16V		
1100		A	CAPACITOR		C7089	1-128-526-11	ELECT 100UF 20.00% 25V		
1101		A	CAPACITOR		C7090	1-107-826-11	CERAMIC CHIP 0.1UF 10.00% 16V		
1102		A	CAPACITOR		C7091	1-162-970-11	CERAMIC CHIP 0.01UF 10.00% 25V		
1103		A	CAPACITOR		C7092	1-125-889-91	CERAMIC CHIP 2.2UF 10% 10V		
1104		A	CAPACITOR		C7093	1-127-573-11	CERAMIC CHIP 1UF 10% 16V		
1105		A	CAPACITOR		C7094	1-115-339-11	CERAMIC CHIP 0.1UF 10.00% 50V		
1106		A	CAPACITOR		C7096	1-127-573-11	CERAMIC CHIP 1UF 10% 16V		
1107		A	CAPACITOR		C7097	1-107-826-11	CERAMIC CHIP 0.1UF 10.00% 16V		
1108		A	CAPACITOR		C7098	1-126-396-11	ELECT CHIP 47UF 20.00% 16V		
1109		A	CAPACITOR		C7099	1-107-890-11	ELECT 2200UF 20.00% 25V		
1110		A	CAPACITOR		C7100	1-127-573-11	CERAMIC CHIP 1UF 10% 16V		
1111		A	CAPACITOR		C7101	1-126-396-11	ELECT CHIP 47UF 20.00% 16V		
1112		A	CAPACITOR		C7102	1-107-826-11	CERAMIC CHIP 0.1UF 10.00% 16V		
1113		A	CAPACITOR		C7103	1-107-826-11	CERAMIC CHIP 0.1UF 10.00% 16V		
1114		A	CAPACITOR		C7104	1-107-826-11	CERAMIC CHIP 0.1UF 10.00% 16V		
1115		A	CAPACITOR		C7105	1-107-826-11	CERAMIC CHIP 0.1UF 10.00% 16V		
1116		A	CAPACITOR		C7106	1-107-826-11	CERAMIC CHIP 0.1UF 10.00% 16V		
1117		A	CAPACITOR		C7107	1-165-629-91	CERAMIC CHIP 1UF 10% 50V		
1118		A	CAPACITOR		C7108	1-127-692-11	CERAMIC CHIP 10UF 10% 16V		
1119		A	CAPACITOR		C7109	1-164-677-11	CERAMIC CHIP 0.033UF 10.00% 16V		
1120		A	CAPACITOR		C7110	1-125-889-91	CERAMIC CHIP 2.2UF 10% 10V		
1121		A	CAPACITOR		C7111	1-164-344-11	CERAMIC CHIP 0.068UF 10.00% 25V		
1122		A	CAPACITOR		C7112	1-164-344-11	CERAMIC CHIP 0.068UF 10.00% 25V		
1123		A	CAPACITOR		C7113	1-128-528-11	ELECT 470UF 20.00% 25V		
1124		A	CAPACITOR		C7400	1-126-405-11	ELECT CHIP 10UF 20.00% 50V		
1125		A	CAPACITOR		C7401	1-126-405-11	ELECT CHIP 10UF 20.00% 50V		
1126		A	CAPACITOR		C7402	1-126-404-11	ELECT CHIP 4.7UF 20.00% 50V		
1127		A	CAPACITOR		C7403	1-126-405-11	ELECT CHIP 10UF 20.00% 50V		
1128		A	CAPACITOR		C7404	1-126-404-11	ELECT CHIP 4.7UF 20.00% 50V		
1129		A	CAPACITOR		C7405	1-126-405-11	ELECT CHIP 10UF 20.00% 50V		
1130		A	CAPACITOR		C9002	1-115-566-11	CERAMIC CHIP 4.7UF 10.00% 10V		
1131		A	CAPACITOR		C9003	1-107-826-11	CERAMIC CHIP 0.1UF 10.00% 16V		
1132		A	CAPACITOR		C9004	1-127-573-11	CERAMIC CHIP 1UF 10% 16V		
1133		A	CAPACITOR		C9005	1-127-573-11	CERAMIC CHIP 1UF 10% 16V		
1134		A	CAPACITOR		C9006	1-164-360-11	CERAMIC CHIP 0.1UF 16V		
1135		A	CAPACITOR		C9008	1-127-573-11	CERAMIC CHIP 1UF 10% 16V		
1136		A	CAPACITOR		C9009	1-127-573-11	CERAMIC CHIP 1UF 10% 16V		
1137		A	CAPACITOR		C9010	1-127-573-11	CERAMIC CHIP 1UF 10% 16V		
1138		A	CAPACITOR		C9011	1-127-573-11	CERAMIC CHIP 1UF 10% 16V		
1139		A	CAPACITOR		C9012	1-115-566-11	CERAMIC CHIP 4.7UF 10.00% 10V		
1140		A	CAPACITOR		C9018	1-127-573-11	CERAMIC CHIP 1UF 10% 16V		
1141		A	CAPACITOR		C9019	1-127-573-11	CERAMIC CHIP 1UF 10% 16V		
1142		A	CAPACITOR		C9020	1-107-826-11	CERAMIC CHIP 0.1UF 10.00% 16V		
1143		A	CAPACITOR		C9021	1-115-566-11	CERAMIC CHIP 4.7UF 10.00% 10V		
1144		A	CAPACITOR		C9022	1-125-891-11	CERAMIC CHIP 0.47UF 10.00% 10V		
1145		A	CAPACITOR		C9030	1-115-566-11	CERAMIC CHIP 4.7UF 10.00% 10V		
1146		A	CAPACITOR		C9031	1-125-891-11	CERAMIC CHIP 0.47UF 10.00% 10V		
1147		A	CONNECTOR		CN2801	1-774-769-11	CONNECTOR, FFC/FPC 25P		
1148		A	CONNECTOR		CN2802	1-774-769-11	CONNECTOR, FFC/FPC 25P		
1149		A	CONNECTOR		CN4601	1-794-519-21	PIN, CONNECTOR (PC BOARD) 14P		
1150		A	CONNECTOR		CN4603	1-774-769-11	CONNECTOR, FFC/FPC 25P		
1151		A	CONNECTOR	*	CN4604	1-573-768-21	PIN, CONNECTOR (1.5MM) (SMD)5P		
1152		A	CONNECTOR		CN4605	1-779-884-11	CONNECTOR 4P		
1153		A	CONNECTOR		CN6450	1-766-715-21	CONNECTOR, BOARD TO BOARD 10P		
1154		A	CONNECTOR		CN6451	1-766-715-21	CONNECTOR, BOARD TO BOARD 10P		
1155		A	CONNECTOR		CN7001	1-573-290-21	PIN, CONNECTOR (1.5MM) (SMD)4P		
1156		A	CONNECTOR	*	CN7002	1-770-470-21	PIN, CONNECTOR (PC BOARD) 6P		
1157		A	CONNECTOR	*	CN9003	1-779-268-21	PIN, CONNECTOR (1.5MM)(SMD)11P		
1158		A	CONNECTOR		CN9007	1-766-382-21	PIN, CONNECTOR (1.5MM)(SMD)10P		
1159		A	DIODE		D4602	8-719-081-34	DIODE RB160M-30TR		
1160		A	DIODE		D4603	8-719-081-34	DIODE RB160M-30TR		
1161		A	DIODE		D4604	8-719-080-41	DIODE RB063L-30TE25		
1162		A	DIODE		D4605	6-500-294-01	DIODE PTZ-TE25-3.9B		
1163		A	DIODE		D4606	8-719-068-71	DIODE PTZ-TE25-13A		
1164		A	DIODE		D4607	8-719-083-63	DIODE UDZSTE-1713B		
1165		A	DIODE		D4609	8-719-081-99	DIODE MM3Z13VT1		
1166		A	DIODE		D4610	8-719-083-63	DIODE UDZSTE-1713B		
1167		A	DIODE		D4611	8-719-081-97	DIODE MMDL914T1		
1168		A	DIODE		D4612	8-719-081-97	DIODE MMDL914T1		

No.	#	Board	Type	Δ /*	Ref. No.	Part No.	Description	Remarks-1	Remarks-2
1169		A	DIODE		D4649	8-719-078-04	DIODE EC31QS03L-TE12L		
1170		A	DIODE		D4650	8-719-078-04	DIODE EC31QS03L-TE12L		
1171		A	DIODE		D4651	8-719-078-04	DIODE EC31QS03L-TE12L		
1172		A	DIODE		D4652	8-719-078-04	DIODE EC31QS03L-TE12L		
1173		A	DIODE		D4653	8-719-078-04	DIODE EC31QS03L-TE12L		
1174		A	DIODE		D4654	8-719-078-04	DIODE EC31QS03L-TE12L		
1175		A	DIODE		D4655	8-719-078-04	DIODE EC31QS03L-TE12L		
1176		A	DIODE		D4656	8-719-078-04	DIODE EC31QS03L-TE12L		
1177		A	DIODE		D4657	8-719-078-04	DIODE EC31QS03L-TE12L		
1178		A	DIODE		D4658	8-719-078-04	DIODE EC31QS03L-TE12L		
1179		A	DIODE		D4659	8-719-078-04	DIODE EC31QS03L-TE12L		
1180		A	DIODE		D4660	8-719-078-04	DIODE EC31QS03L-TE12L		
1181		A	DIODE		D4661	8-719-078-04	DIODE EC31QS03L-TE12L		
1182		A	DIODE		D4662	8-719-078-04	DIODE EC31QS03L-TE12L		
1183		A	DIODE		D6448	8-719-064-03	DIODE HZU16B2TRF		
1184		A	DIODE		D6449	8-719-064-03	DIODE HZU16B2TRF		
1185		A	DIODE		D6450	8-719-081-97	DIODE MMDL914T1		
1186		A	DIODE		D7006	8-719-081-97	DIODE MMDL914T1		
1187		A	DIODE		D7007	8-719-081-97	DIODE MMDL914T1		
1188		A	DIODE		D7008	8-719-085-31	DIODE MM3Z2V4T1		
1189		A	DIODE		D7009	8-719-085-31	DIODE MM3Z2V4T1		
1190		A	DIODE		D9005	8-719-977-28	DIODE DTZ10B		
1191		A	DIODE		D9006	8-719-977-28	DIODE DTZ10B		
1192		A	DIODE		D9007	8-719-977-28	DIODE DTZ10B		
1193		A	DIODE		D9010	8-719-977-28	DIODE DTZ10B		
1194		A	DIODE		D9011	8-719-977-28	DIODE DTZ10B		
1195		A	DIODE		D9016	8-719-977-28	DIODE DTZ10B		
1196		A	DIODE		D9020	8-719-977-28	DIODE DTZ10B		
1197		A	DIODE		D9021	8-719-977-28	DIODE DTZ10B		
1198		A	DIODE		D9022	8-719-977-28	DIODE DTZ10B		
1199		A	DIODE		D9023	8-719-977-28	DIODE DTZ10B		
1200		A	DIODE		D9024	8-719-977-28	DIODE DTZ10B		
1201		A	DIODE		D9027	8-719-977-28	DIODE DTZ10B		
1202		A	DIODE		D9028	8-719-977-28	DIODE DTZ10B		
1203		A	DIODE		D9029	8-719-977-28	DIODE DTZ10B		
1204		A	DIODE		D9030	8-719-977-28	DIODE DTZ10B		
1205		A	DIODE		D9031	8-719-977-28	DIODE DTZ10B		
1206		A	FERRITE BEAD		FB2510	1-414-445-11	FERRITE 0UH		
1207		A	FERRITE BEAD		FB2511	1-414-445-11	FERRITE 0UH		
1208		A	FERRITE BEAD		FB4601	1-469-775-21	FERRITE 0UH		
1209		A	FERRITE BEAD		FB4602	1-469-775-21	FERRITE 0UH		
1210		A	FERRITE BEAD		FB4603	1-469-775-21	FERRITE 0UH		
1211		A	FERRITE BEAD		FB4604	1-414-445-11	FERRITE 0UH		
1212		A	FERRITE BEAD		FB4605	1-469-775-21	FERRITE 0UH		
1213		A	FERRITE BEAD		FB4608	1-469-775-21	FERRITE 0UH		
1214		A	FERRITE BEAD		FB4609	1-469-775-21	FERRITE 0UH		
1215		A	IC		IC2505	8-752-108-35	IC CXA2171AQ		
1216		A	IC		IC2506	8-759-660-21	IC SN74HCT02APWR		
1217		A	IC		IC2507	8-759-533-85	IC L88M05T-FA-TL		
1218		A	IC		IC2511	8-759-548-56	IC M52055FP		
1219		A	IC		IC2801	8-759-836-72	IC NJM2521V(TE2)		
1220		A	IC		IC2802	8-759-836-72	IC NJM2521V(TE2)		
1221		A	IC		IC2803	8-752-087-76	IC CXA2089Q-T6		
1222		A	IC		IC4601	6-702-510-01	IC TPS5120DBTR		
1223		A	IC		IC4602	8-759-394-36	IC BA09T		
1224		A	IC		IC4603	8-759-450-47	IC BA05T		
1225		A	IC		IC6701	8-752-395-13	IC CXD2085M-T4		
1226		A	IC		IC7001	8-759-460-79	IC BA09FP-E2		
1227		A	IC		IC7002	8-759-359-49	IC NJM3414AV(TE2)		
1228		A	IC		IC7003	6-702-817-12	IC BD3869AF-E2		
1229		A	IC		IC7004	8-759-278-58	IC NJM4558V-TE2		
1230		A	IC		IC7005	8-759-278-58	IC NJM4558V-TE2		
1231		A	IC		IC7007	6-704-783-01	IC TA8256BH		
1232		A	IC		IC7009	8-759-278-58	IC NJM4558V-TE2		
1233		A	IC		IC7010	8-759-278-58	IC NJM4558V-TE2		
1234		A	IC		IC7011	6-701-096-01	IC NJM2700FJ1		
1235		A	IC		IC7400	8-759-278-58	IC NJM4558V-TE2		
1236		A	JACK		J7400	1-794-623-21	JACK, PIN 2P		
1237		A	JACK		J9001	1-794-623-21	JACK, PIN 2P		
1238		A	JACK		J9002	1-794-623-21	JACK, PIN 2P		
1239		A	JACK		J9003	1-779-037-11	JACK, PIN 3P		
1240		A	COIL		L2505	1-469-525-91	INDUCTOR 10UH		
1241		A	COIL		L2509	1-469-525-91	INDUCTOR 10UH		

No.	#	Board	Type	△/*	Ref. No.	Part No.	Description	Remarks-1	Remarks-2
1242		A	COIL		L2520	1-469-525-91	INDUCTOR 10UH		
1243		A	COIL		L2802	1-469-526-91	INDUCTOR 22UH		
1244		A	COIL		L4601	1-424-916-21	INDUCTOR 10UH		
1245		A	COIL		L4602	1-424-922-21	INDUCTOR 10UH		
1246		A	COIL		L6451	1-412-030-11	INDUCTOR 22UH		
1247		A	COIL		L6452	1-412-030-11	INDUCTOR 22UH		
1248		A	COIL		L6453	1-412-030-11	INDUCTOR 22UH		
1249		A	COIL		L6454	1-412-030-11	INDUCTOR 22UH		
1250		A	COIL		L6701	1-469-525-91	INDUCTOR 10UH		
1251		A	COIL		L6702	1-469-525-91	INDUCTOR 10UH		
1252		A	IC LINK	△	PS4601	1-533-651-11	IC LINK 1.6A 24V		
1253		A	IC LINK	△	PS4602	1-576-731-21	IC LINK 2.5A 24V		
1254		A	IC LINK	△	PS6450	1-533-674-11	IC LINK 0.5A 50V		
1255		A	IC LINK	△	PS7001	1-576-390-91	IC LINK 2.5A 50V		
1256		A	TRANSISTOR		Q2504	6-550-586-01	TRANSISTOR 2PA1576R-115		
1257		A	TRANSISTOR		Q2533	6-550-585-01	TRANSISTOR 2PC4081R-115		
1258		A	TRANSISTOR		Q2535	6-550-585-01	TRANSISTOR 2PC4081R-115		
1259		A	TRANSISTOR		Q2537	8-729-122-63	TRANSISTOR 2SA1226-E4		
1260		A	TRANSISTOR		Q2538	8-729-122-63	TRANSISTOR 2SA1226-E4		
1261		A	TRANSISTOR		Q2539	8-729-122-63	TRANSISTOR 2SA1226-E4		
1262		A	TRANSISTOR		Q2540	8-729-117-73	TRANSISTOR 2SC4178-F14		
1263		A	TRANSISTOR		Q2541	8-729-117-73	TRANSISTOR 2SC4178-F14		
1264		A	TRANSISTOR		Q2542	8-729-117-73	TRANSISTOR 2SC4178-F14		
1265		A	TRANSISTOR		Q2556	8-729-122-63	TRANSISTOR 2SA1226-E4		
1266		A	TRANSISTOR		Q2557	8-729-122-63	TRANSISTOR 2SA1226-E4		
1267		A	TRANSISTOR		Q2558	8-729-025-28	TRANSISTOR 2SK1828		
1268		A	TRANSISTOR		Q2559	8-729-025-28	TRANSISTOR 2SK1828		
1269		A	TRANSISTOR		Q2560	8-729-122-63	TRANSISTOR 2SA1226-E4		
1270		A	TRANSISTOR		Q2801	6-550-586-01	TRANSISTOR 2PA1576R-115		
1271		A	TRANSISTOR		Q2802	6-550-586-01	TRANSISTOR 2PA1576R-115		
1272		A	TRANSISTOR		Q4601	8-729-054-66	TRANSISTOR HAT2071R-EL		
1273		A	TRANSISTOR		Q4602	8-729-054-66	TRANSISTOR HAT2071R-EL		
1274		A	TRANSISTOR		Q4603	8-729-053-79	TRANSISTOR IRF7901D1-TR		
1275		A	TRANSISTOR		Q4604	6-550-586-01	TRANSISTOR 2PA1576R-115		
1276		A	TRANSISTOR		Q4605	8-729-054-36	TRANSISTOR UPA1716G-E2		
1277		A	TRANSISTOR		Q4606	8-729-907-00	TRANSISTOR DTC114EU		
1278		A	TRANSISTOR		Q4607	6-550-586-01	TRANSISTOR 2PA1576R-115		
1279		A	TRANSISTOR		Q6450	6-550-549-01	TRANSISTOR DTC114EUAFT106		
1280		A	TRANSISTOR		Q6451	6-550-549-01	TRANSISTOR DTC114EUAFT106		
1281		A	TRANSISTOR		Q6452	6-550-585-01	TRANSISTOR 2PC4081R-115		
1282		A	TRANSISTOR		Q6453	6-550-586-01	TRANSISTOR 2PA1576R-115		
1283		A	TRANSISTOR		Q6454	6-550-585-01	TRANSISTOR 2PC4081R-115		
1284		A	TRANSISTOR		Q6455	6-550-585-01	TRANSISTOR 2PC4081R-115		
1285		A	TRANSISTOR		Q6456	6-550-586-01	TRANSISTOR 2PA1576R-115		
1286		A	TRANSISTOR		Q6701	6-550-585-01	TRANSISTOR 2PC4081R-115		
1287		A	TRANSISTOR		Q7001	8-729-920-21	TRANSISTOR DTC314TK-T-146		
1288		A	TRANSISTOR		Q7002	8-729-920-21	TRANSISTOR DTC314TK-T-146		
1289		A	TRANSISTOR		Q7003	8-729-422-33	TRANSISTOR 2SD601A-Q-TX		
1290		A	TRANSISTOR		Q7004	8-729-209-15	TRANSISTOR 2SD2012		
1291		A	TRANSISTOR		Q7005	8-729-920-21	TRANSISTOR DTC314TK-T-146		
1292		A	TRANSISTOR		Q7006	8-729-920-21	TRANSISTOR DTC314TK-T-146		
1293		A	TRANSISTOR		Q7007	6-550-076-01	TRANSISTOR MUN5213T1		
1294		A	TRANSISTOR		Q7011	6-550-076-01	TRANSISTOR MUN5213T1		
1295		A	TRANSISTOR		Q7400	8-729-044-58	TRANSISTOR SI2304DS-T1		
1296		A	TRANSISTOR		Q7401	8-729-044-58	TRANSISTOR SI2304DS-T1		
1297		A	TRANSISTOR		Q9001	6-550-549-01	TRANSISTOR DTC114EUAFT106		
1298		A	RESISTOR		R2511	1-216-809-11	METAL CHIP 100 5% 1/10W		
1299		A	RESISTOR		R2512	1-216-809-11	METAL CHIP 100 5% 1/10W		
1300		A	RESISTOR		R2513	1-216-809-11	METAL CHIP 100 5% 1/10W		
1301		A	RESISTOR		R2515	1-216-864-11	SHORT CHIP 0		
1302		A	RESISTOR		R2519	1-216-805-11	METAL CHIP 47 5% 1/10W		
1303		A	RESISTOR		R2520	1-216-805-11	METAL CHIP 47 5% 1/10W		
1304		A	RESISTOR		R2521	1-216-851-11	METAL CHIP 330K 5% 1/10W		
1305		A	RESISTOR		R2534	1-218-716-11	METAL CHIP 10K 0.5% 1/10W		
1306		A	RESISTOR		R2539	1-216-797-11	METAL CHIP 10 5% 1/10W		
1307		A	RESISTOR		R2540	1-216-833-11	METAL CHIP 10K 5% 1/10W		
1308		A	RESISTOR		R2541	1-216-833-11	METAL CHIP 10K 5% 1/10W		
1309		A	RESISTOR		R2546	1-216-821-11	METAL CHIP 1K 5% 1/10W		
1310		A	RESISTOR		R2553	1-216-809-11	METAL CHIP 100 5% 1/10W		
1311		A	RESISTOR		R2562	1-216-827-11	METAL CHIP 3.3K 5% 1/10W		
1312		A	RESISTOR		R2563	1-216-827-11	METAL CHIP 3.3K 5% 1/10W		
1313		A	RESISTOR		R2564	1-216-809-11	METAL CHIP 100 5% 1/10W		
1314		A	RESISTOR		R2565	1-216-809-11	METAL CHIP 100 5% 1/10W		

No.	#	Board	Type	Δ / [*]	Ref. No.	Part No.	Description	Remarks-1	Remarks-2
1315		A	RESISTOR		R2566	1-216-864-11	SHORT CHIP 0		
1316		A	RESISTOR		R2572	1-216-805-11	METAL CHIP 47 5% 1/10W		
1317		A	RESISTOR		R2573	1-216-821-11	METAL CHIP 1K 5% 1/10W		
1318		A	RESISTOR		R2574	1-216-805-11	METAL CHIP 47 5% 1/10W		
1319		A	RESISTOR		R2575	1-216-821-11	METAL CHIP 1K 5% 1/10W		
1320		A	RESISTOR		R2576	1-216-805-11	METAL CHIP 47 5% 1/10W		
1321		A	RESISTOR		R2577	1-216-821-11	METAL CHIP 1K 5% 1/10W		
1322		A	RESISTOR		R2584	1-216-809-11	METAL CHIP 100 5% 1/10W		
1323		A	RESISTOR		R2585	1-216-809-11	METAL CHIP 100 5% 1/10W		
1324		A	RESISTOR		R2586	1-216-809-11	METAL CHIP 100 5% 1/10W		
1325		A	RESISTOR		R2587	1-216-809-11	METAL CHIP 100 5% 1/10W		
1326		A	RESISTOR		R2588	1-216-809-11	METAL CHIP 100 5% 1/10W		
1327		A	RESISTOR		R2589	1-216-809-11	METAL CHIP 100 5% 1/10W		
1328		A	RESISTOR		R2591	1-216-809-11	METAL CHIP 100 5% 1/10W		
1329		A	RESISTOR		R2664	1-216-809-11	METAL CHIP 100 5% 1/10W		
1330		A	RESISTOR		R2670	1-216-813-11	METAL CHIP 220 5% 1/10W		
1331		A	RESISTOR		R2671	1-216-813-11	METAL CHIP 220 5% 1/10W		
1332		A	RESISTOR		R2672	1-216-813-11	METAL CHIP 220 5% 1/10W		
1333		A	RESISTOR		R2679	1-216-805-11	METAL CHIP 47 5% 1/10W		
1334		A	RESISTOR		R2682	1-216-821-11	METAL CHIP 1K 5% 1/10W		
1335		A	RESISTOR		R2683	1-216-805-11	METAL CHIP 47 5% 1/10W		
1336		A	RESISTOR		R2686	1-216-821-11	METAL CHIP 1K 5% 1/10W		
1337		A	RESISTOR		R2687	1-216-817-11	METAL CHIP 470 5% 1/10W		
1338		A	RESISTOR		R2688	1-216-821-11	METAL CHIP 1K 5% 1/10W		
1339		A	RESISTOR		R2689	1-216-821-11	METAL CHIP 1K 5% 1/10W		
1340		A	RESISTOR		R2690	1-216-817-11	METAL CHIP 470 5% 1/10W		
1341		A	RESISTOR		R2691	1-216-821-11	METAL CHIP 1K 5% 1/10W		
1342		A	RESISTOR		R2692	1-216-821-11	METAL CHIP 1K 5% 1/10W		
1343		A	RESISTOR		R2693	1-216-821-11	METAL CHIP 1K 5% 1/10W		
1344		A	RESISTOR		R2694	1-216-817-11	METAL CHIP 470 5% 1/10W		
1345		A	RESISTOR		R2695	1-216-821-11	METAL CHIP 1K 5% 1/10W		
1346		A	RESISTOR		R2699	1-216-809-11	METAL CHIP 100 5% 1/10W		
1347		A	RESISTOR		R2707	1-216-809-11	METAL CHIP 100 5% 1/10W		
1348		A	RESISTOR		R2708	1-216-809-11	METAL CHIP 100 5% 1/10W		
1349		A	RESISTOR		R2709	1-216-809-11	METAL CHIP 100 5% 1/10W		
1350		A	RESISTOR		R2740	1-218-674-11	METAL CHIP 180 0.5% 1/10W		
1351		A	RESISTOR		R2742	1-218-690-11	METAL CHIP 820 0.5% 1/10W		
1352		A	RESISTOR		R2755	1-216-823-11	METAL CHIP 1.5K 5% 1/10W		
1353		A	RESISTOR		R2757	1-216-806-11	METAL CHIP 56 5% 1/10W		
1354		A	RESISTOR		R2760	1-218-668-11	METAL CHIP 100 0.5% 1/10W		
1355		A	RESISTOR		R2763	1-216-823-11	METAL CHIP 1.5K 5% 1/10W		
1356		A	RESISTOR		R2764	1-216-806-11	METAL CHIP 56 5% 1/10W		
1357		A	RESISTOR		R2766	1-218-668-11	METAL CHIP 100 0.5% 1/10W		
1358		A	RESISTOR		R2772	1-216-823-11	METAL CHIP 1.5K 5% 1/10W		
1359		A	RESISTOR		R2773	1-216-806-11	METAL CHIP 56 5% 1/10W		
1360		A	RESISTOR		R2775	1-218-668-11	METAL CHIP 100 0.5% 1/10W		
1361		A	RESISTOR		R2801	1-216-841-11	METAL CHIP 47K 5% 1/10W		
1362		A	RESISTOR		R2802	1-216-864-11	SHORT CHIP 0		
1363		A	RESISTOR		R2803	1-218-827-11	METAL CHIP 150 0.5% 1/10W		
1364		A	RESISTOR		R2804	1-216-841-11	METAL CHIP 47K 5% 1/10W		
1365		A	RESISTOR		R2805	1-216-809-11	METAL CHIP 100 5% 1/10W		
1366		A	RESISTOR		R2807	1-216-809-11	METAL CHIP 100 5% 1/10W		
1367		A	RESISTOR		R2809	1-216-821-11	METAL CHIP 1K 5% 1/10W		
1368		A	RESISTOR		R2810	1-216-821-11	METAL CHIP 1K 5% 1/10W		
1369		A	RESISTOR		R2813	1-216-821-11	METAL CHIP 1K 5% 1/10W		
1370		A	RESISTOR		R2814	1-218-845-11	METAL CHIP 820 0.5% 1/10W		
1371		A	RESISTOR		R2815	1-216-825-11	METAL CHIP 2.2K 5% 1/10W		
1372		A	RESISTOR		R2816	1-216-825-11	METAL CHIP 2.2K 5% 1/10W		
1373		A	RESISTOR		R2817	1-216-825-11	METAL CHIP 2.2K 5% 1/10W		
1374		A	RESISTOR		R2818	1-216-825-11	METAL CHIP 2.2K 5% 1/10W		
1375		A	RESISTOR		R2819	1-216-295-91	SHORT CHIP 0		
1376		A	RESISTOR		R2820	1-216-295-91	SHORT CHIP 0		
1377		A	RESISTOR		R2821	1-216-295-91	SHORT CHIP 0		
1378		A	RESISTOR		R2822	1-216-295-91	SHORT CHIP 0		
1379		A	RESISTOR		R2825	1-216-821-11	METAL CHIP 1K 5% 1/10W		
1380		A	RESISTOR		R2826	1-216-821-11	METAL CHIP 1K 5% 1/10W		
1381		A	RESISTOR		R2827	1-216-809-11	METAL CHIP 100 5% 1/10W		
1382		A	RESISTOR		R2828	1-216-809-11	METAL CHIP 100 5% 1/10W		
1383		A	RESISTOR		R2829	1-216-809-11	METAL CHIP 100 5% 1/10W		
1384		A	RESISTOR		R4603	1-218-873-11	METAL CHIP 12K 0.5% 1/10W		
1385		A	RESISTOR		R4604	1-218-862-11	METAL CHIP 4.3K 0.5% 1/10W		
1386		A	RESISTOR		R4606	1-216-841-11	METAL CHIP 47K 5% 1/10W		
1387		A	RESISTOR		R4607	1-216-841-11	METAL CHIP 47K 5% 1/10W		

No.	#	Board	Type	Δ / [*]	Ref. No.	Part No.	Description	Remarks-1	Remarks-2
1388		A	RESISTOR		R4608	1-218-868-11	METAL CHIP 7.5K 0.5% 1/10W		
1389		A	RESISTOR		R4609	1-216-864-11	SHORT CHIP 0		
1390		A	RESISTOR		R4610	1-216-864-11	SHORT CHIP 0		
1391		A	RESISTOR		R4611	1-216-821-11	METAL CHIP 1K 5% 1/10W		
1392		A	RESISTOR		R4612	1-216-829-11	METAL CHIP 4.7K 5% 1/10W		
1393		A	RESISTOR		R4613	1-216-845-11	METAL CHIP 100K 5% 1/10W		
1394		A	RESISTOR		R4614	1-218-871-11	METAL CHIP 10K 0.5% 1/10W		
1395		A	RESISTOR		R4615	1-218-867-11	METAL CHIP 6.8K 0.5% 1/10W		
1396		A	RESISTOR		R4616	1-218-864-11	METAL CHIP 5.1K 0.5% 1/10W		
1397		A	RESISTOR		R4617	1-218-837-11	METAL CHIP 390 0.5% 1/10W		
1398		A	RESISTOR		R4618	1-218-878-11	METAL CHIP 20K 0.5% 1/10W		
1399		A	RESISTOR		R4619	1-216-847-11	METAL CHIP 150K 5% 1/10W		
1400		A	RESISTOR		R4620	1-218-883-11	METAL CHIP 33K 0.5% 1/10W		
1401		A	RESISTOR		R4621	1-218-889-11	METAL CHIP 56K 0.5% 1/10W		
1402		A	RESISTOR		R4622	1-216-845-11	METAL CHIP 100K 5% 1/10W		
1403		A	RESISTOR		R4623	1-216-841-11	METAL CHIP 47K 5% 1/10W		
1404		A	RESISTOR		R4624	1-216-295-91	SHORT CHIP 0		
1405		A	RESISTOR		R4625	1-469-869-21	FERRITE 0UH		
1406		A	RESISTOR		R4626	1-216-295-91	SHORT CHIP 0		
1407		A	RESISTOR		R4627	1-216-809-11	METAL CHIP 100 5% 1/10W		
1408		A	RESISTOR		R4628	1-216-809-11	METAL CHIP 100 5% 1/10W		
1409		A	RESISTOR		R4629	1-216-295-91	SHORT CHIP 0		
1410		A	RESISTOR		R4630	1-216-837-11	METAL CHIP 22K 5% 1/10W		
1411		A	RESISTOR		R4631	1-216-864-11	SHORT CHIP 0		
1412		A	RESISTOR		R4632	1-216-864-11	SHORT CHIP 0		
1413		A	RESISTOR		R4633	1-216-833-11	METAL CHIP 10K 5% 1/10W		
1414		A	RESISTOR		R4636	1-400-180-21	INDUCTOR 0UH		
1415		A	RESISTOR		R4638	1-216-839-11	METAL CHIP 33K 5% 1/10W		
1416		A	RESISTOR		R4639	1-216-847-11	METAL CHIP 150K 5% 1/10W		
1417		A	RESISTOR		R4641	1-216-833-11	METAL CHIP 10K 5% 1/10W		
1418		A	RESISTOR		R4642	1-216-864-11	SHORT CHIP 0		
1419		A	RESISTOR		R4643	1-216-864-11	SHORT CHIP 0		
1420		A	RESISTOR		R4644	1-216-845-11	METAL CHIP 100K 5% 1/10W		
1421		A	RESISTOR		R4645	1-216-847-11	METAL CHIP 150K 5% 1/10W		
1422		A	RESISTOR		R6446	1-216-295-91	SHORT CHIP 0		
1423		A	RESISTOR		R6447	1-216-295-91	SHORT CHIP 0		
1424		A	RESISTOR		R6448	1-216-295-91	SHORT CHIP 0		
1425		A	RESISTOR		R6450	1-216-833-11	METAL CHIP 10K 5% 1/10W		
1426		A	RESISTOR		R6451	1-216-828-11	METAL CHIP 3.9K 5% 1/10W		
1427		A	RESISTOR		R6452	1-216-821-11	METAL CHIP 1K 5% 1/10W		
1428		A	RESISTOR		R6453	1-216-821-11	METAL CHIP 1K 5% 1/10W		
1429		A	RESISTOR		R6454	1-216-857-11	METAL CHIP 1M 5% 1/10W		
1430		A	RESISTOR		R6455	1-216-828-11	METAL CHIP 3.9K 5% 1/10W		
1431		A	RESISTOR		R6456	1-216-826-11	METAL CHIP 2.7K 5% 1/10W		
1432		A	RESISTOR		R6458	1-216-829-11	METAL CHIP 4.7K 5% 1/10W		
1433		A	RESISTOR		R6459	1-216-857-11	METAL CHIP 1M 5% 1/10W		
1434		A	RESISTOR		R6460	1-216-829-11	METAL CHIP 4.7K 5% 1/10W		
1435		A	RESISTOR		R6461	1-216-821-11	METAL CHIP 1K 5% 1/10W		
1436		A	RESISTOR		R6462	1-218-687-11	METAL CHIP 620 0.5% 1/10W		
1437		A	RESISTOR		R6463	1-218-867-11	METAL CHIP 6.8K 0.5% 1/10W		
1438		A	RESISTOR		R6464	1-216-825-11	METAL CHIP 2.2K 5% 1/10W		
1439		A	RESISTOR		R6465	1-216-809-11	METAL CHIP 100 5% 1/10W		
1440		A	RESISTOR		R6467	1-216-813-11	METAL CHIP 220 5% 1/10W		
1441		A	RESISTOR		R6469	1-218-689-11	METAL CHIP 750 0.5% 1/10W		
1442		A	RESISTOR		R6470	1-216-864-11	SHORT CHIP 0		
1443		A	RESISTOR		R6472	1-216-864-11	SHORT CHIP 0		
1444		A	RESISTOR		R6701	1-216-864-11	SHORT CHIP 0		
1445		A	RESISTOR		R6702	1-216-809-11	METAL CHIP 100 5% 1/10W		
1446		A	RESISTOR		R6703	1-216-825-11	METAL CHIP 2.2K 5% 1/10W		
1447		A	RESISTOR		R6704	1-216-825-11	METAL CHIP 2.2K 5% 1/10W		
1448		A	RESISTOR		R6705	1-216-829-11	METAL CHIP 4.7K 5% 1/10W		
1449		A	RESISTOR		R6706	1-216-817-11	METAL CHIP 470 5% 1/10W		
1450		A	RESISTOR		R6707	1-216-809-11	METAL CHIP 100 5% 1/10W		
1451		A	RESISTOR		R6708	1-216-839-11	METAL CHIP 33K 5% 1/10W		
1452		A	RESISTOR		R6709	1-216-797-11	METAL CHIP 10 5% 1/10W		
1453		A	RESISTOR		R6710	1-216-809-11	METAL CHIP 100 5% 1/10W		
1454		A	RESISTOR		R6711	1-216-809-11	METAL CHIP 100 5% 1/10W		
1455		A	RESISTOR		R6712	1-216-809-11	METAL CHIP 100 5% 1/10W		
1456		A	RESISTOR		R6713	1-216-864-11	SHORT CHIP 0		
1457		A	RESISTOR		R6714	1-216-805-11	METAL CHIP 47 5% 1/10W		
1458		A	RESISTOR		R6715	1-216-805-11	METAL CHIP 47 5% 1/10W		
1459		A	RESISTOR		R7002	1-216-833-11	METAL CHIP 10K 5% 1/10W		
1460		A	RESISTOR		R7003	1-216-846-11	METAL CHIP 120K 5% 1/10W		

No.	#	Board	Type	△/*	Ref. No.	Part No.	Description	Remarks-1	Remarks-2
1461		A	RESISTOR		R7004	1-216-822-11	METAL CHIP 1.2K 5% 1/10W		
1462		A	RESISTOR		R7005	1-216-805-11	METAL CHIP 47 5% 1/10W		
1463		A	RESISTOR		R7006	1-216-822-11	METAL CHIP 1.2K 5% 1/10W		
1464		A	RESISTOR		R7007	1-216-829-11	METAL CHIP 4.7K 5% 1/10W		
1465		A	RESISTOR		R7011	1-216-864-11	SHORT CHIP 0		
1466		A	RESISTOR		R7012	1-216-864-11	SHORT CHIP 0		
1467		A	RESISTOR		R7013	1-216-840-11	METAL CHIP 39K 5% 1/10W		
1468		A	RESISTOR		R7014	1-216-864-11	SHORT CHIP 0		
1469		A	RESISTOR		R7015	1-216-864-11	SHORT CHIP 0		
1470		A	RESISTOR		R7016	1-216-864-11	SHORT CHIP 0		
1471		A	RESISTOR		R7017	1-216-846-11	METAL CHIP 120K 5% 1/10W		
1472		A	RESISTOR		R7018	1-216-822-11	METAL CHIP 1.2K 5% 1/10W		
1473		A	RESISTOR		R7019	1-216-829-11	METAL CHIP 4.7K 5% 1/10W		
1474		A	RESISTOR		R7020	1-216-809-11	METAL CHIP 100 5% 1/10W		
1475		A	RESISTOR		R7021	1-216-833-11	METAL CHIP 10K 5% 1/10W		
1476		A	RESISTOR		R7022	1-216-822-11	METAL CHIP 1.2K 5% 1/10W		
1477		A	RESISTOR		R7023	1-216-833-11	METAL CHIP 10K 5% 1/10W		
1478		A	RESISTOR		R7024	1-216-833-11	METAL CHIP 10K 5% 1/10W		
1479		A	RESISTOR		R7025	1-216-864-11	SHORT CHIP 0		
1480		A	RESISTOR		R7026	1-216-837-11	METAL CHIP 22K 5% 1/10W		
1481		A	RESISTOR		R7027	1-216-841-11	METAL CHIP 47K 5% 1/10W		
1482		A	RESISTOR		R7028	1-216-821-11	METAL CHIP 1K 5% 1/10W		
1483		A	RESISTOR		R7029	1-216-845-11	METAL CHIP 100K 5% 1/10W		
1484		A	RESISTOR		R7030	1-216-845-11	METAL CHIP 100K 5% 1/10W		
1485		A	RESISTOR		R7031	1-216-833-11	METAL CHIP 10K 5% 1/10W		
1486		A	RESISTOR		R7033	1-216-833-11	METAL CHIP 10K 5% 1/10W		
1487		A	RESISTOR		R7034	1-216-833-11	METAL CHIP 10K 5% 1/10W		
1488		A	RESISTOR		R7035	1-216-838-11	METAL CHIP 27K 5% 1/10W		
1489		A	RESISTOR		R7036	1-216-809-11	METAL CHIP 100 5% 1/10W		
1490		A	RESISTOR		R7038	1-216-847-11	METAL CHIP 150K 5% 1/10W		
1491		A	RESISTOR		R7040	1-216-838-11	METAL CHIP 27K 5% 1/10W		
1492		A	RESISTOR		R7041	1-216-842-11	METAL CHIP 56K 5% 1/10W		
1493		A	RESISTOR		R7042	1-218-727-11	METAL CHIP 30K 0.5% 1/10W		
1494		A	RESISTOR		R7043	1-218-890-11	METAL CHIP 62K 0.5% 1/10W		
1495		A	RESISTOR		R7044	1-216-838-11	METAL CHIP 27K 5% 1/10W		
1496		A	RESISTOR		R7046	1-218-344-11	METAL CHIP 7.5K 5% 1/10W		
1497		A	RESISTOR		R7047	1-216-832-11	METAL CHIP 8.2K 5% 1/10W		
1498		A	RESISTOR		R7048	1-216-852-11	METAL CHIP 390K 5% 1/10W		
1499		A	RESISTOR		R7049	1-216-830-11	METAL CHIP 5.6K 5% 1/10W		
1500		A	RESISTOR		R7051	1-216-795-11	METAL CHIP 6.8 5% 1/10W		
1501		A	RESISTOR		R7052	1-216-822-11	METAL CHIP 1.2K 5% 1/10W		
1502		A	RESISTOR		R7053	1-216-830-11	METAL CHIP 5.6K 5% 1/10W		
1503		A	RESISTOR		R7054	1-216-852-11	METAL CHIP 390K 5% 1/10W		
1504		A	RESISTOR		R7055	1-216-830-11	METAL CHIP 5.6K 5% 1/10W		
1505		A	RESISTOR		R7056	1-216-818-11	METAL CHIP 560 5% 1/10W		
1506		A	RESISTOR		R7058	1-216-809-11	METAL CHIP 100 5% 1/10W		
1507		A	RESISTOR		R7059	1-216-795-11	METAL CHIP 6.8 5% 1/10W		
1508		A	RESISTOR		R7060	1-216-795-11	METAL CHIP 6.8 5% 1/10W		
1509		A	RESISTOR		R7061	1-216-847-11	METAL CHIP 150K 5% 1/10W		
1510		A	RESISTOR		R7062	1-216-845-11	METAL CHIP 100K 5% 1/10W		
1511		A	RESISTOR		R7063	1-216-830-11	METAL CHIP 5.6K 5% 1/10W		
1512		A	RESISTOR		R7064	1-216-864-11	SHORT CHIP 0		
1513		A	RESISTOR		R7065	1-218-871-11	METAL CHIP 10K 0.5% 1/10W		
1514		A	RESISTOR		R7066	1-218-871-11	METAL CHIP 10K 0.5% 1/10W		
1515		A	RESISTOR		R7067	1-216-832-11	METAL CHIP 8.2K 5% 1/10W		
1516		A	RESISTOR		R7069	1-216-809-11	METAL CHIP 100 5% 1/10W		
1517		A	RESISTOR		R7070	1-216-809-11	METAL CHIP 100 5% 1/10W		
1518		A	RESISTOR		R7071	1-218-344-11	METAL CHIP 7.5K 5% 1/10W		
1519		A	RESISTOR		R7074	1-216-838-11	METAL CHIP 27K 5% 1/10W		
1520		A	RESISTOR		R7075	1-216-842-11	METAL CHIP 56K 5% 1/10W		
1521		A	RESISTOR		R7076	1-218-727-11	METAL CHIP 30K 0.5% 1/10W		
1522		A	RESISTOR		R7077	1-218-890-11	METAL CHIP 62K 0.5% 1/10W		
1523		A	RESISTOR		R7078	1-216-838-11	METAL CHIP 27K 5% 1/10W		
1524		A	RESISTOR		R7079	1-216-833-11	METAL CHIP 10K 5% 1/10W		
1525		A	RESISTOR		R7080	1-216-838-11	METAL CHIP 27K 5% 1/10W		
1526		A	RESISTOR		R7081	1-216-822-11	METAL CHIP 1.2K 5% 1/10W		
1527		A	RESISTOR		R7082	1-216-829-11	METAL CHIP 4.7K 5% 1/10W		
1528		A	RESISTOR		R7083	1-216-833-11	METAL CHIP 10K 5% 1/10W		
1529		A	RESISTOR		R7084	1-216-845-11	METAL CHIP 100K 5% 1/10W		
1530		A	RESISTOR		R7085	1-216-833-11	METAL CHIP 10K 5% 1/10W		
1531		A	RESISTOR		R7086	1-216-864-11	SHORT CHIP 0		
1532		A	RESISTOR		R7088	1-216-829-11	METAL CHIP 4.7K 5% 1/10W		
1533		A	RESISTOR		R7089	1-216-845-11	METAL CHIP 100K 5% 1/10W		

No.	#	Board	Type	Δ/∇ *	Ref. No.	Part No.	Description	Remarks-1	Remarks-2
1534		A	RESISTOR		R7090	1-216-833-11	METAL CHIP 10K 5% 1/10W		
1535		A	RESISTOR		R7091	1-216-833-11	METAL CHIP 10K 5% 1/10W		
1536		A	RESISTOR		R7092	1-216-833-11	METAL CHIP 10K 5% 1/10W		
1537		A	RESISTOR		R7093	1-216-845-11	METAL CHIP 100K 5% 1/10W		
1538		A	RESISTOR		R7094	1-216-833-11	METAL CHIP 10K 5% 1/10W		
1539		A	RESISTOR		R7097	1-216-820-11	METAL CHIP 820 5% 1/10W		
1540		A	RESISTOR		R7102	1-216-845-11	METAL CHIP 100K 5% 1/10W		
1541		A	RESISTOR		R7103	1-216-840-11	METAL CHIP 39K 5% 1/10W		
1542		A	RESISTOR		R7106	1-216-841-11	METAL CHIP 47K 5% 1/10W		
1543		A	RESISTOR		R7107	1-216-841-11	METAL CHIP 47K 5% 1/10W		
1544		A	RESISTOR		R7108	1-216-829-11	METAL CHIP 4.7K 5% 1/10W		
1545		A	RESISTOR		R7109	1-216-827-11	METAL CHIP 3.3K 5% 1/10W		
1546		A	RESISTOR		R7110	1-216-857-11	METAL CHIP 1M 5% 1/10W		
1547		A	RESISTOR		R7111	1-216-809-11	METAL CHIP 100 5% 1/10W		
1548		A	RESISTOR		R7112	1-216-820-11	METAL CHIP 820 5% 1/10W		
1549		A	RESISTOR		R7113	1-216-829-11	METAL CHIP 4.7K 5% 1/10W		
1550		A	RESISTOR		R7114	1-216-833-11	METAL CHIP 10K 5% 1/10W		
1551		A	RESISTOR		R7118	1-216-838-11	METAL CHIP 27K 5% 1/10W		
1552		A	RESISTOR		R7119	1-216-833-11	METAL CHIP 10K 5% 1/10W		
1553		A	RESISTOR		R7120	1-216-795-11	METAL CHIP 6.8 5% 1/10W		
1554		A	RESISTOR		R7121	1-216-840-11	METAL CHIP 39K 5% 1/10W		
1555		A	RESISTOR		R7122	1-216-833-11	METAL CHIP 10K 5% 1/10W		
1556		A	RESISTOR		R7123	1-216-827-11	METAL CHIP 3.3K 5% 1/10W		
1557		A	RESISTOR		R7124	1-216-833-11	METAL CHIP 10K 5% 1/10W		
1558		A	RESISTOR		R7125	1-216-833-11	METAL CHIP 10K 5% 1/10W		
1559		A	RESISTOR		R7126	1-218-873-11	METAL CHIP 12K 0.5% 1/10W		
1560		A	RESISTOR		R7127	1-216-845-11	METAL CHIP 100K 5% 1/10W		
1561		A	RESISTOR		R7128	1-216-833-11	METAL CHIP 10K 5% 1/10W		
1562		A	RESISTOR		R7129	1-216-843-11	METAL CHIP 68K 5% 1/10W		
1563		A	RESISTOR		R7130	1-216-795-11	METAL CHIP 6.8 5% 1/10W		
1564		A	RESISTOR		R7131	1-216-829-11	METAL CHIP 4.7K 5% 1/10W		
1565		A	RESISTOR		R7132	1-216-834-11	METAL CHIP 12K 5% 1/10W		
1566		A	RESISTOR		R7133	1-216-795-11	METAL CHIP 6.8 5% 1/10W		
1567		A	RESISTOR		R7134	1-216-840-11	METAL CHIP 39K 5% 1/10W		
1568		A	RESISTOR		R7135	1-218-741-11	METAL CHIP 110K 0.5% 1/10W		
1569		A	RESISTOR		R7136	1-216-833-11	METAL CHIP 10K 5% 1/10W		
1570		A	RESISTOR		R7137	1-216-795-11	METAL CHIP 6.8 5% 1/10W		
1571		A	RESISTOR		R7138	1-216-837-11	METAL CHIP 22K 5% 1/10W		
1572		A	RESISTOR		R7139	1-216-865-11	METAL CHIP 3K 5% 1/10W		
1573		A	RESISTOR		R7140	1-202-926-11	METAL CHIP 36K 5% 1/10W		
1574		A	RESISTOR		R7141	1-216-832-11	METAL CHIP 8.2K 5% 1/10W		
1575		A	RESISTOR		R7142	1-216-829-11	METAL CHIP 4.7K 5% 1/10W		
1576		A	RESISTOR		R7143	1-216-864-11	SHORT CHIP 0		
1577		A	RESISTOR		R7144	1-216-837-11	METAL CHIP 22K 5% 1/10W		
1578		A	RESISTOR		R7145	1-216-829-11	METAL CHIP 4.7K 5% 1/10W		
1579		A	RESISTOR		R7146	1-216-829-11	METAL CHIP 4.7K 5% 1/10W		
1580		A	RESISTOR		R7147	1-216-813-11	METAL CHIP 220 5% 1/10W		
1581		A	RESISTOR		R7148	1-216-813-11	METAL CHIP 220 5% 1/10W		
1582		A	RESISTOR		R7149	1-216-809-11	METAL CHIP 100 5% 1/10W		
1583		A	RESISTOR		R7150	1-216-805-11	METAL CHIP 47 5% 1/10W		
1584		A	RESISTOR		R7152	1-216-795-11	METAL CHIP 6.8 5% 1/10W		
1585		A	RESISTOR		R7162	1-216-864-11	SHORT CHIP 0		
1586		A	RESISTOR		R7163	1-216-864-11	SHORT CHIP 0		
1587		A	RESISTOR		R7164	1-216-795-11	METAL CHIP 6.8 5% 1/10W		
1588		A	RESISTOR		R7401	1-216-864-11	SHORT CHIP 0		
1589		A	RESISTOR		R7402	1-216-809-11	METAL CHIP 100 5% 1/10W		
1590		A	RESISTOR		R7403	1-216-829-11	METAL CHIP 4.7K 5% 1/10W		
1591		A	RESISTOR		R7404	1-216-845-11	METAL CHIP 100K 5% 1/10W		
1592		A	RESISTOR		R7405	1-216-821-11	METAL CHIP 1K 5% 1/10W		
1593		A	RESISTOR		R7406	1-216-829-11	METAL CHIP 4.7K 5% 1/10W		
1594		A	RESISTOR		R7407	1-216-821-11	METAL CHIP 1K 5% 1/10W		
1595		A	RESISTOR		R7408	1-216-845-11	METAL CHIP 100K 5% 1/10W		
1596		A	RESISTOR		R7409	1-216-813-11	METAL CHIP 220 5% 1/10W		
1597		A	RESISTOR		R7410	1-216-813-11	METAL CHIP 220 5% 1/10W		
1598		A	RESISTOR		R7411	1-216-833-11	METAL CHIP 10K 5% 1/10W		
1599		A	RESISTOR		R7412	1-216-864-11	SHORT CHIP 0		
1600		A	RESISTOR		R7413	1-216-864-11	SHORT CHIP 0		
1601		A	RESISTOR		R7414	1-216-833-11	METAL CHIP 10K 5% 1/10W		
1602		A	RESISTOR		R7415	1-216-833-11	METAL CHIP 10K 5% 1/10W		
1603		A	RESISTOR		R7416	1-216-833-11	METAL CHIP 10K 5% 1/10W		
1604		A	RESISTOR		R7417	1-216-833-11	METAL CHIP 10K 5% 1/10W		
1605		A	RESISTOR		R7418	1-216-833-11	METAL CHIP 10K 5% 1/10W		
1606		A	RESISTOR		R7420	1-216-864-11	SHORT CHIP 0		

No.	#	Board	Type	Δ / [*]	Ref. No.	Part No.	Description	Remarks-1	Remarks-2
1607		A	RESISTOR		R7421	1-216-864-11	SHORT CHIP 0		
1608		A	RESISTOR		R7422	1-216-864-11	SHORT CHIP 0		
1609		A	RESISTOR		R7423	1-216-864-11	SHORT CHIP 0		
1610		A	RESISTOR		R7440	1-216-853-11	METAL CHIP 470K 5% 1/10W		
1611		A	RESISTOR		R7441	1-216-853-11	METAL CHIP 470K 5% 1/10W		
1612		A	RESISTOR		R7443	1-216-864-11	SHORT CHIP 0		
1613		A	RESISTOR		R7444	1-216-864-11	SHORT CHIP 0		
1614		A	RESISTOR		R7445	1-216-864-11	SHORT CHIP 0		
1615		A	RESISTOR		R7448	1-216-823-11	METAL CHIP 1.5K 5% 1/10W		
1616		A	RESISTOR		R7449	1-216-823-11	METAL CHIP 1.5K 5% 1/10W		
1617		A	RESISTOR		R7450	1-216-823-11	METAL CHIP 1.5K 5% 1/10W		
1618		A	RESISTOR		R7451	1-216-823-11	METAL CHIP 1.5K 5% 1/10W		
1619		A	RESISTOR		R7452	1-216-823-11	METAL CHIP 1.5K 5% 1/10W		
1620		A	RESISTOR		R7453	1-216-823-11	METAL CHIP 1.5K 5% 1/10W		
1621		A	RESISTOR		R7454	1-216-823-11	METAL CHIP 1.5K 5% 1/10W		
1622		A	RESISTOR		R7455	1-216-823-11	METAL CHIP 1.5K 5% 1/10W		
1623		A	RESISTOR		R7456	1-216-864-11	SHORT CHIP 0		
1624		A	RESISTOR		R7457	1-216-864-11	SHORT CHIP 0		
1625		A	RESISTOR		R9000	1-216-813-11	METAL CHIP 220 5% 1/10W		
1626		A	RESISTOR		R9001	1-216-813-11	METAL CHIP 220 5% 1/10W		
1627		A	RESISTOR		R9002	1-216-813-11	METAL CHIP 220 5% 1/10W		
1628		A	RESISTOR		R9004	1-216-809-11	METAL CHIP 100 5% 1/10W		
1629		A	RESISTOR		R9005	1-216-813-11	METAL CHIP 220 5% 1/10W		
1630		A	RESISTOR		R9006	1-216-813-11	METAL CHIP 220 5% 1/10W		
1631		A	RESISTOR		R9007	1-216-813-11	METAL CHIP 220 5% 1/10W		
1632		A	RESISTOR		R9008	1-216-809-11	METAL CHIP 100 5% 1/10W		
1633		A	RESISTOR		R9010	1-216-813-11	METAL CHIP 220 5% 1/10W		
1634		A	RESISTOR		R9012	1-216-813-11	METAL CHIP 220 5% 1/10W		
1635		A	RESISTOR		R9013	1-216-813-11	METAL CHIP 220 5% 1/10W		
1636		A	RESISTOR		R9014	1-216-809-11	METAL CHIP 100 5% 1/10W		
1637		A	RESISTOR		R9020	1-216-813-11	METAL CHIP 220 5% 1/10W		
1638		A	RESISTOR		R9021	1-216-813-11	METAL CHIP 220 5% 1/10W		
1639		A	RESISTOR		R9023	1-216-813-11	METAL CHIP 220 5% 1/10W		
1640		A	RESISTOR		R9024	1-216-809-11	METAL CHIP 100 5% 1/10W		
1641		A	RESISTOR		R9025	1-216-813-11	METAL CHIP 220 5% 1/10W		
1642		A	RESISTOR		R9026	1-216-813-11	METAL CHIP 220 5% 1/10W		
1643		A	RESISTOR		R9027	1-216-813-11	METAL CHIP 220 5% 1/10W		
1644		A	RESISTOR		R9028	1-216-809-11	METAL CHIP 100 5% 1/10W		
1645		A	RESISTOR		R9030	1-216-813-11	METAL CHIP 220 5% 1/10W		
1646		A	RESISTOR		R9031	1-216-813-11	METAL CHIP 220 5% 1/10W		
1647		A	RESISTOR		R9032	1-216-813-11	METAL CHIP 220 5% 1/10W		
1648		A	RESISTOR		R9033	1-216-809-11	METAL CHIP 100 5% 1/10W		
1649		A	RESISTOR		R9035	1-216-853-11	METAL CHIP 470K 5% 1/10W		
1650		A	RESISTOR		R9036	1-216-853-11	METAL CHIP 470K 5% 1/10W		
1651		A	RESISTOR		R9040	1-216-864-11	SHORT CHIP 0		
1652		A	RESISTOR		R9043	1-216-853-11	METAL CHIP 470K 5% 1/10W		
1653		A	RESISTOR		R9044	1-216-853-11	METAL CHIP 470K 5% 1/10W		
1654		A	RESISTOR		R9047	1-216-853-11	METAL CHIP 470K 5% 1/10W		
1655		A	RESISTOR		R9048	1-216-853-11	METAL CHIP 470K 5% 1/10W		
1656		A	RESISTOR		R9050	1-216-864-11	SHORT CHIP 0		
1657		A	RESISTOR		R9051	1-216-864-11	SHORT CHIP 0		
1658		A	RESISTOR		R9052	1-216-853-11	METAL CHIP 470K 5% 1/10W		
1659		A	RESISTOR		R9053	1-216-853-11	METAL CHIP 470K 5% 1/10W		
1660		A	RESISTOR		R9060	1-216-864-11	SHORT CHIP 0		
1661		A	RESISTOR		R9061	1-216-825-11	METAL CHIP 2.2K 5% 1/10W		
1662		A	RESISTOR		R9062	1-216-825-11	METAL CHIP 2.2K 5% 1/10W		
1663		A	RESISTOR		R9063	1-216-813-11	METAL CHIP 220 5% 1/10W		
1664		A	RESISTOR		R9064	1-216-813-11	METAL CHIP 220 5% 1/10W		
1665		A	RESISTOR		R9065	1-216-813-11	METAL CHIP 220 5% 1/10W		
1666		A	RESISTOR		R9066	1-216-825-11	METAL CHIP 2.2K 5% 1/10W		
1667		A	RESISTOR		R9067	1-216-825-11	METAL CHIP 2.2K 5% 1/10W		
1668		A	RESISTOR		R9068	1-216-821-11	METAL CHIP 1K 5% 1/10W		
1669		A	RESISTOR		R9070	1-216-864-11	SHORT CHIP 0		
1670		A	RESISTOR		R9071	1-216-821-11	METAL CHIP 1K 5% 1/10W		
1671		A	RESISTOR		R9072	1-216-813-11	METAL CHIP 220 5% 1/10W		
1672		A	RESISTOR		R9073	1-216-825-11	METAL CHIP 2.2K 5% 1/10W		
1673		A	RESISTOR		R9074	1-216-825-11	METAL CHIP 2.2K 5% 1/10W		
1674		A	RESISTOR		R9075	1-216-821-11	METAL CHIP 1K 5% 1/10W		
1675		A	RESISTOR		R9076	1-216-813-11	METAL CHIP 220 5% 1/10W		
1676		A	RESISTOR		R9077	1-216-825-11	METAL CHIP 2.2K 5% 1/10W		
1677		A	RESISTOR		R9078	1-216-821-11	METAL CHIP 1K 5% 1/10W		
1678		A	RESISTOR		R9079	1-216-825-11	METAL CHIP 2.2K 5% 1/10W		
1679		A	RESISTOR		R9080	1-216-813-11	METAL CHIP 220 5% 1/10W		

No.	#	Board	Type	Δ/\ast	Ref. No.	Part No.	Description	Remarks-1	Remarks-2
1680		A	RESISTOR		R9081	1-216-864-11	SHORT CHIP 0		
1681		A	RESISTOR		R9082	1-216-813-11	METAL CHIP 220 5% 1/10W		
1682		A	RESISTOR		R9083	1-216-813-11	METAL CHIP 220 5% 1/10W		
1683		A	RESISTOR		R9084	1-216-813-11	METAL CHIP 220 5% 1/10W		
1684		A	VARISTOR		VD7401	1-801-925-21	VARISTOR, CHIP (1608)		
1685		A	VARISTOR		VD7402	1-801-925-21	VARISTOR, CHIP (1608)		
1686		A	VARISTOR		VD9000	1-801-925-21	VARISTOR, CHIP (1608)		
1687		A	VARISTOR		VD9001	1-801-925-21	VARISTOR, CHIP (1608)		
1688		A	VARISTOR		VD9010	1-801-925-21	VARISTOR, CHIP (1608)		
1689		A	VARISTOR		VD9020	1-801-925-21	VARISTOR, CHIP (1608)		
1690		A	VARISTOR		VD9021	1-801-925-21	VARISTOR, CHIP (1608)		
1691		A	VARISTOR		VD9030	1-801-925-21	VARISTOR, CHIP (1608)		
1692		A	VARISTOR		VD9040	1-801-925-21	VARISTOR, CHIP (1608)		
1693		A	VARISTOR		VD9050	1-801-925-21	VARISTOR, CHIP (1608)		
1694		A	VARISTOR		VD9051	1-801-925-21	VARISTOR, CHIP (1608)		
1695		A	VARISTOR		VD9060	1-801-925-21	VARISTOR, CHIP (1608)		
1696		A	VARISTOR		VD9070	1-801-925-21	VARISTOR, CHIP (1608)		
1697		A	VARISTOR		VD9071	1-801-925-21	VARISTOR, CHIP (1608)		
1698		A	CRYSTAL		X2502	1-795-214-21	VIBRATOR, CERAMIC (4MHZ)		
1699		A	CRYSTAL		X6701	1-767-989-11	VIBRATOR, CERAMIC		
1700		B	CAPACITOR		C1002	1-126-391-11	ELECT CHIP 47UF 20.00% 6.3V		
1701		B	CAPACITOR		C1003	1-125-777-11	CERAMIC CHIP 0.1UF 10.00% 10V		
1702		B	CAPACITOR		C1005	1-125-891-11	CERAMIC CHIP 0.47UF 10.00% 10V		
1703		B	CAPACITOR		C1006	1-125-777-11	CERAMIC CHIP 0.1UF 10.00% 10V		
1704		B	CAPACITOR		C1007	1-162-968-11	CERAMIC CHIP 0.0047UF 10.00% 50V		
1705		B	CAPACITOR		C1008	1-125-777-11	CERAMIC CHIP 0.1UF 10.00% 10V		
1706		B	CAPACITOR		C1009	1-125-777-11	CERAMIC CHIP 0.1UF 10.00% 10V		
1707		B	CAPACITOR		C1010	1-162-917-11	CERAMIC CHIP 15PF 5.00% 50V		
1708		B	CAPACITOR		C1011	1-162-917-11	CERAMIC CHIP 15PF 5.00% 50V		
1709		B	CAPACITOR		C1012	1-162-970-11	CERAMIC CHIP 0.01UF 10.00% 25V		
1710		B	CAPACITOR		C1013	1-125-777-11	CERAMIC CHIP 0.1UF 10.00% 10V		
1711		B	CAPACITOR		C1014	1-125-777-11	CERAMIC CHIP 0.1UF 10.00% 10V		
1712		B	CAPACITOR		C1015	1-125-777-11	CERAMIC CHIP 0.1UF 10.00% 10V		
1713		B	CAPACITOR		C1016	1-125-777-11	CERAMIC CHIP 0.1UF 10.00% 10V		
1714		B	CAPACITOR		C1017	1-125-777-11	CERAMIC CHIP 0.1UF 10.00% 10V		
1715		B	CAPACITOR		C1018	1-125-777-11	CERAMIC CHIP 0.1UF 10.00% 10V		
1716		B	CAPACITOR		C1019	1-125-777-11	CERAMIC CHIP 0.1UF 10.00% 10V		
1717		B	CAPACITOR		C1028	1-125-777-11	CERAMIC CHIP 0.1UF 10.00% 10V		
1718		B	CAPACITOR		C1040	1-125-777-11	CERAMIC CHIP 0.1UF 10.00% 10V		
1719		B	CAPACITOR		C1041	1-125-777-11	CERAMIC CHIP 0.1UF 10.00% 10V		
1720		B	CAPACITOR		C1042	1-125-777-11	CERAMIC CHIP 0.1UF 10.00% 10V		
1721		B	CAPACITOR		C1043	1-125-777-11	CERAMIC CHIP 0.1UF 10.00% 10V		
1722		B	CAPACITOR		C1044	1-125-777-11	CERAMIC CHIP 0.1UF 10.00% 10V		
1723		B	CAPACITOR		C1045	1-164-943-11	CERAMIC CHIP 0.01UF 10.00% 16V		
1724		B	CAPACITOR		C1048	1-164-943-11	CERAMIC CHIP 0.01UF 10.00% 16V		
1725		B	CAPACITOR		C1049	1-164-947-11	CERAMIC CHIP 0.01UF 50V		
1726		B	CAPACITOR		C1050	1-126-394-11	ELECT CHIP 10UF 20.00% 16V		
1727		B	CAPACITOR		C1051	1-125-837-91	CERAMIC CHIP 1UF 10% 6.3V		
1728		B	CAPACITOR		C1054	1-126-391-11	ELECT CHIP 47UF 20.00% 6.3V		
1729		B	CAPACITOR		C1055	1-125-777-11	CERAMIC CHIP 0.1UF 10.00% 10V		
1730		B	CAPACITOR		C1057	1-162-966-11	CERAMIC CHIP 0.0022UF 10.00% 50V		
1731		B	CAPACITOR		C1059	1-162-927-11	CERAMIC CHIP 100PF 5.00% 50V		
1732		B	CAPACITOR		C1060	1-126-396-11	ELECT CHIP 47UF 20.00% 16V		
1733		B	CAPACITOR		C1190	1-137-710-11	CERAMIC CHIP 10UF 20% 6.3V		
1734		B	CAPACITOR		C1191	1-125-777-11	CERAMIC CHIP 0.1UF 10.00% 10V		
1735		B	CAPACITOR		C1192	1-126-390-11	ELECT CHIP 22UF 20.00% 6.3V		
1736		B	CAPACITOR		C1193	1-164-943-11	CERAMIC CHIP 0.01UF 10.00% 16V		
1737		B	CAPACITOR		C3001	1-126-392-11	ELECT CHIP 100UF 20.00% 6.3V		
1738		B	CAPACITOR		C3002	1-107-826-11	CERAMIC CHIP 0.1UF 10.00% 16V		
1739		B	CAPACITOR		C3003	1-126-396-11	ELECT CHIP 47UF 20.00% 16V		
1740		B	CAPACITOR		C3005	1-127-715-91	CERAMIC CHIP 0.22UF 10% 16V		
1741		B	CAPACITOR		C3006	1-100-159-91	CERAMIC CHIP 22UF 10% 6.3V		
1742		B	CAPACITOR		C3007	1-125-777-11	CERAMIC CHIP 0.1UF 10.00% 10V		
1743		B	CAPACITOR		C3008	1-125-777-11	CERAMIC CHIP 0.1UF 10.00% 10V		
1744		B	CAPACITOR		C3009	1-127-715-91	CERAMIC CHIP 0.22UF 10% 16V		
1745		B	CAPACITOR		C3010	1-127-715-91	CERAMIC CHIP 0.22UF 10% 16V		
1746		B	CAPACITOR		C3011	1-107-826-11	CERAMIC CHIP 0.1UF 10.00% 16V		
1747		B	CAPACITOR		C3012	1-107-826-11	CERAMIC CHIP 0.1UF 10.00% 16V		
1748		B	CAPACITOR		C3013	1-125-837-91	CERAMIC CHIP 1UF 10% 6.3V		
1749		B	CAPACITOR		C3014	1-125-837-91	CERAMIC CHIP 1UF 10% 6.3V		
1750		B	CAPACITOR		C3015	1-107-826-11	CERAMIC CHIP 0.1UF 10.00% 16V		
1751		B	CAPACITOR		C3017	1-128-357-11	ELECT CHIP 10UF 20.00% 16V		
1752		B	CAPACITOR		C3024	1-164-943-11	CERAMIC CHIP 0.01UF 10.00% 16V		

No.	#	Board	Type	Δ / [*]	Ref. No.	Part No.	Description	Remarks-1	Remarks-2
1753		B	CAPACITOR		C3025	1-164-943-11	CERAMIC CHIP 0.01UF 10.00% 16V		
1754		B	CAPACITOR		C3026	1-126-392-11	ELECT CHIP 100UF 20.00% 6.3V		
1755		B	CAPACITOR		C3027	1-126-392-11	ELECT CHIP 100UF 20.00% 6.3V		
1756		B	CAPACITOR		C3028	1-126-400-11	ELECT CHIP 22UF 20.00% 35V		
1757		B	CAPACITOR		C3029	1-126-400-11	ELECT CHIP 22UF 20.00% 35V		
1758		B	CAPACITOR		C3030	1-126-400-11	ELECT CHIP 22UF 20.00% 35V		
1759		B	CAPACITOR		C3031	1-126-392-11	ELECT CHIP 100UF 20.00% 6.3V		
1760		B	CAPACITOR		C3032	1-125-777-11	CERAMIC CHIP 0.1UF 10.00% 10V		
1761		B	CAPACITOR		C3033	1-126-392-11	ELECT CHIP 100UF 20.00% 6.3V		
1762		B	CAPACITOR		C3034	1-164-943-11	CERAMIC CHIP 0.01UF 10.00% 16V		
1763		B	CAPACITOR		C3035	1-164-943-11	CERAMIC CHIP 0.01UF 10.00% 16V		
1764		B	CAPACITOR		C3036	1-125-777-11	CERAMIC CHIP 0.1UF 10.00% 10V		
1765		B	CAPACITOR		C3037	1-126-392-11	ELECT CHIP 100UF 20.00% 6.3V		
1766		B	CAPACITOR		C3038	1-126-390-11	ELECT CHIP 22UF 20.00% 6.3V		
1767		B	CAPACITOR		C3039	1-126-390-11	ELECT CHIP 22UF 20.00% 6.3V		
1768		B	CAPACITOR		C3040	1-125-777-11	CERAMIC CHIP 0.1UF 10.00% 10V		
1769		B	CAPACITOR		C3041	1-125-777-11	CERAMIC CHIP 0.1UF 10.00% 10V		
1770		B	CAPACITOR		C3042	1-162-970-11	CERAMIC CHIP 0.01UF 10.00% 25V		
1771		B	CAPACITOR		C3043	1-125-777-11	CERAMIC CHIP 0.1UF 10.00% 10V		
1772		B	CAPACITOR		C3044	1-164-943-11	CERAMIC CHIP 0.01UF 10.00% 16V		
1773		B	CAPACITOR		C3045	1-164-943-11	CERAMIC CHIP 0.01UF 10.00% 16V		
1774		B	CAPACITOR		C3046	1-164-943-11	CERAMIC CHIP 0.01UF 10.00% 16V		
1775		B	CAPACITOR		C3047	1-164-943-11	CERAMIC CHIP 0.01UF 10.00% 16V		
1776		B	CAPACITOR		C3048	1-164-943-11	CERAMIC CHIP 0.01UF 10.00% 16V		
1777		B	CAPACITOR		C3049	1-164-943-11	CERAMIC CHIP 0.01UF 10.00% 16V		
1778		B	CAPACITOR		C3050	1-164-943-11	CERAMIC CHIP 0.01UF 10.00% 16V		
1779		B	CAPACITOR		C3051	1-164-943-11	CERAMIC CHIP 0.01UF 10.00% 16V		
1780		B	CAPACITOR		C3052	1-125-777-11	CERAMIC CHIP 0.1UF 10.00% 10V		
1781		B	CAPACITOR		C3053	1-125-777-11	CERAMIC CHIP 0.1UF 10.00% 10V		
1782		B	CAPACITOR		C3054	1-125-777-11	CERAMIC CHIP 0.1UF 10.00% 10V		
1783		B	CAPACITOR		C3055	1-125-777-11	CERAMIC CHIP 0.1UF 10.00% 10V		
1784		B	CAPACITOR		C3056	1-125-777-11	CERAMIC CHIP 0.1UF 10.00% 10V		
1785		B	CAPACITOR		C3057	1-125-777-11	CERAMIC CHIP 0.1UF 10.00% 10V		
1786		B	CAPACITOR		C3059	1-162-964-11	CERAMIC CHIP 0.001UF 10.00% 50V		
1787		B	CAPACITOR		C3060	1-137-710-11	CERAMIC CHIP 10UF 20% 6.3V		
1788		B	CAPACITOR		C3061	1-164-943-11	CERAMIC CHIP 0.01UF 10.00% 16V		
1789		B	CAPACITOR		C3062	1-164-943-11	CERAMIC CHIP 0.01UF 10.00% 16V		
1790		B	CAPACITOR		C3063	1-164-943-11	CERAMIC CHIP 0.01UF 10.00% 16V		
1791		B	CAPACITOR		C3064	1-164-943-11	CERAMIC CHIP 0.01UF 10.00% 16V		
1792		B	CAPACITOR		C3065	1-164-943-11	CERAMIC CHIP 0.01UF 10.00% 16V		
1793		B	CAPACITOR		C3066	1-164-943-11	CERAMIC CHIP 0.01UF 10.00% 16V		
1794		B	CAPACITOR		C3067	1-164-943-11	CERAMIC CHIP 0.01UF 10.00% 16V		
1795		B	CAPACITOR		C3068	1-164-943-11	CERAMIC CHIP 0.01UF 10.00% 16V		
1796		B	CAPACITOR		C3069	1-164-943-11	CERAMIC CHIP 0.01UF 10.00% 16V		
1797		B	CAPACITOR		C3070	1-164-943-11	CERAMIC CHIP 0.01UF 10.00% 16V		
1798		B	CAPACITOR		C3071	1-164-943-11	CERAMIC CHIP 0.01UF 10.00% 16V		
1799		B	CAPACITOR		C3072	1-164-943-11	CERAMIC CHIP 0.01UF 10.00% 16V		
1800		B	CAPACITOR		C3073	1-164-943-11	CERAMIC CHIP 0.01UF 10.00% 16V		
1801		B	CAPACITOR		C3074	1-164-943-11	CERAMIC CHIP 0.01UF 10.00% 16V		
1802		B	CAPACITOR		C3075	1-164-943-11	CERAMIC CHIP 0.01UF 10.00% 16V		
1803		B	CAPACITOR		C3076	1-164-943-11	CERAMIC CHIP 0.01UF 10.00% 16V		
1804		B	CAPACITOR		C3077	1-164-943-11	CERAMIC CHIP 0.01UF 10.00% 16V		
1805		B	CAPACITOR		C3078	1-164-943-11	CERAMIC CHIP 0.01UF 10.00% 16V		
1806		B	CAPACITOR		C3079	1-164-943-11	CERAMIC CHIP 0.01UF 10.00% 16V		
1807		B	CAPACITOR		C3080	1-164-943-11	CERAMIC CHIP 0.01UF 10.00% 16V		
1808		B	CAPACITOR		C3081	1-164-943-11	CERAMIC CHIP 0.01UF 10.00% 16V		
1809		B	CAPACITOR		C3082	1-164-943-11	CERAMIC CHIP 0.01UF 10.00% 16V		
1810		B	CAPACITOR		C3083	1-125-777-11	CERAMIC CHIP 0.1UF 10.00% 10V		
1811		B	CAPACITOR		C3084	1-100-159-91	CERAMIC CHIP 22UF 10% 6.3V		
1812		B	CAPACITOR		C3085	1-164-943-11	CERAMIC CHIP 0.01UF 10.00% 16V		
1813		B	CAPACITOR		C3088	1-164-943-11	CERAMIC CHIP 0.01UF 10.00% 16V		
1814		B	CAPACITOR		C3089	1-164-943-11	CERAMIC CHIP 0.01UF 10.00% 16V		
1815		B	CAPACITOR		C3090	1-164-943-11	CERAMIC CHIP 0.01UF 10.00% 16V		
1816		B	CAPACITOR		C3091	1-164-943-11	CERAMIC CHIP 0.01UF 10.00% 16V		
1817		B	CAPACITOR		C3093	1-164-943-11	CERAMIC CHIP 0.01UF 10.00% 16V		
1818		B	CAPACITOR		C3094	1-164-943-11	CERAMIC CHIP 0.01UF 10.00% 16V		
1819		B	CAPACITOR		C3095	1-164-943-11	CERAMIC CHIP 0.01UF 10.00% 16V		
1820		B	CAPACITOR		C3096	1-164-943-11	CERAMIC CHIP 0.01UF 10.00% 16V		
1821		B	CAPACITOR		C3097	1-164-943-11	CERAMIC CHIP 0.01UF 10.00% 16V		
1822		B	CAPACITOR		C3098	1-164-943-11	CERAMIC CHIP 0.01UF 10.00% 16V		
1823		B	CAPACITOR		C3100	1-162-964-11	CERAMIC CHIP 0.001UF 10.00% 50V		
1824		B	CAPACITOR		C3101	1-162-927-11	CERAMIC CHIP 100PF 5.00% 50V		
1825		B	CAPACITOR		C3102	1-137-710-11	CERAMIC CHIP 10UF 20% 6.3V		

No.	#	Board	Type	Δ / [*]	Ref. No.	Part No.	Description	Remarks-1	Remarks-2
1826		B	CAPACITOR		C3103	1-137-710-11	CERAMIC CHIP 10UF 20% 6.3V		
1827		B	CAPACITOR		C3104	1-164-874-11	CERAMIC CHIP 100PF 5.00% 50V		
1828		B	CAPACITOR		C3105	1-164-874-11	CERAMIC CHIP 100PF 5.00% 50V		
1829		B	CAPACITOR		C3106	1-164-874-11	CERAMIC CHIP 100PF 5.00% 50V		
1830		B	CAPACITOR		C3107	1-164-874-11	CERAMIC CHIP 100PF 5.00% 50V		
1831		B	CAPACITOR		C3108	1-164-874-11	CERAMIC CHIP 100PF 5.00% 50V		
1832		B	CAPACITOR		C3109	1-164-874-11	CERAMIC CHIP 100PF 5.00% 50V		
1833		B	CAPACITOR		C3110	1-164-874-11	CERAMIC CHIP 100PF 5.00% 50V		
1834		B	CAPACITOR		C3301	1-119-667-11	CERAMIC CHIP 22UF 10V		
1835		B	CAPACITOR		C3302	1-125-837-91	CERAMIC CHIP 1UF 10% 6.3V		
1836		B	CAPACITOR		C3304	1-164-315-11	CERAMIC CHIP 470PF 5.00% 50V		
1837		B	CAPACITOR		C3305	1-137-710-11	CERAMIC CHIP 10UF 20% 6.3V		
1838		B	CAPACITOR		C3306	1-100-159-91	CERAMIC CHIP 22UF 10% 6.3V		
1839		B	CAPACITOR		C3307	1-107-820-11	CERAMIC CHIP 0.1UF 16V		
1840		B	CAPACITOR		C3308	1-100-159-91	CERAMIC CHIP 22UF 10% 6.3V		
1841		B	CAPACITOR		C3309	1-107-820-11	CERAMIC CHIP 0.1UF 16V		
1842		B	CAPACITOR		C3310	1-107-820-11	CERAMIC CHIP 0.1UF 16V		
1843		B	CAPACITOR		C3311	1-107-820-11	CERAMIC CHIP 0.1UF 16V		
1844		B	CAPACITOR		C3312	1-107-820-11	CERAMIC CHIP 0.1UF 16V		
1845		B	CAPACITOR		C3313	1-107-820-11	CERAMIC CHIP 0.1UF 16V		
1846		B	CAPACITOR		C3314	1-107-820-11	CERAMIC CHIP 0.1UF 16V		
1847		B	CAPACITOR		C3315	1-107-820-11	CERAMIC CHIP 0.1UF 16V		
1848		B	CAPACITOR		C3316	1-100-159-91	CERAMIC CHIP 22UF 10% 6.3V		
1849		B	CAPACITOR		C3317	1-107-820-11	CERAMIC CHIP 0.1UF 16V		
1850		B	CAPACITOR		C3318	1-107-820-11	CERAMIC CHIP 0.1UF 16V		
1851		B	CAPACITOR		C3319	1-107-820-11	CERAMIC CHIP 0.1UF 16V		
1852		B	CAPACITOR		C3320	1-107-820-11	CERAMIC CHIP 0.1UF 16V		
1853		B	CAPACITOR		C3321	1-107-820-11	CERAMIC CHIP 0.1UF 16V		
1854		B	CAPACITOR		C3322	1-107-820-11	CERAMIC CHIP 0.1UF 16V		
1855		B	CAPACITOR		C3323	1-107-820-11	CERAMIC CHIP 0.1UF 16V		
1856		B	CAPACITOR		C3324	1-107-820-11	CERAMIC CHIP 0.1UF 16V		
1857		B	CAPACITOR		C3325	1-107-820-11	CERAMIC CHIP 0.1UF 16V		
1858		B	CAPACITOR		C3326	1-107-820-11	CERAMIC CHIP 0.1UF 16V		
1859		B	CAPACITOR		C3327	1-107-820-11	CERAMIC CHIP 0.1UF 16V		
1860		B	CAPACITOR		C3328	1-119-667-11	CERAMIC CHIP 22UF 10V		
1861		B	CAPACITOR		C3329	1-107-820-11	CERAMIC CHIP 0.1UF 16V		
1862		B	CAPACITOR		C3330	1-107-820-11	CERAMIC CHIP 0.1UF 16V		
1863		B	CAPACITOR		C3331	1-107-820-11	CERAMIC CHIP 0.1UF 16V		
1864		B	CAPACITOR		C3332	1-107-820-11	CERAMIC CHIP 0.1UF 16V		
1865		B	CAPACITOR		C3333	1-107-820-11	CERAMIC CHIP 0.1UF 16V		
1866		B	CAPACITOR		C3334	1-107-820-11	CERAMIC CHIP 0.1UF 16V		
1867		B	CAPACITOR		C3335	1-107-820-11	CERAMIC CHIP 0.1UF 16V		
1868		B	CAPACITOR		C3336	1-107-820-11	CERAMIC CHIP 0.1UF 16V		
1869		B	CAPACITOR		C3337	1-107-820-11	CERAMIC CHIP 0.1UF 16V		
1870		B	CAPACITOR		C3338	1-107-820-11	CERAMIC CHIP 0.1UF 16V		
1871		B	CAPACITOR		C3339	1-107-820-11	CERAMIC CHIP 0.1UF 16V		
1872		B	CAPACITOR		C3340	1-107-820-11	CERAMIC CHIP 0.1UF 16V		
1873		B	CAPACITOR		C3341	1-107-820-11	CERAMIC CHIP 0.1UF 16V		
1874		B	CAPACITOR		C3342	1-107-820-11	CERAMIC CHIP 0.1UF 16V		
1875		B	CAPACITOR		C3343	1-107-820-11	CERAMIC CHIP 0.1UF 16V		
1876		B	CAPACITOR		C3344	1-164-943-11	CERAMIC CHIP 0.01UF 10.00% 16V		
1877		B	CAPACITOR		C3345	1-107-820-11	CERAMIC CHIP 0.1UF 16V		
1878		B	CAPACITOR		C3346	1-126-391-11	ELECT CHIP 47UF 20.00% 6.3V		
1879		B	CAPACITOR		C3347	1-100-159-91	CERAMIC CHIP 22UF 10% 6.3V		
1880		B	CAPACITOR		C3348	1-107-820-11	CERAMIC CHIP 0.1UF 16V		
1881		B	CAPACITOR		C3350	1-100-159-91	CERAMIC CHIP 22UF 10% 6.3V		
1882		B	CAPACITOR		C3351	1-107-820-11	CERAMIC CHIP 0.1UF 16V		
1883		B	CAPACITOR		C3600	1-125-777-11	CERAMIC CHIP 0.1UF 10.00% 10V		
1884		B	CAPACITOR		C3601	1-125-777-11	CERAMIC CHIP 0.1UF 10.00% 10V		
1885		B	CAPACITOR		C3602	1-125-777-11	CERAMIC CHIP 0.1UF 10.00% 10V		
1886		B	CAPACITOR		C3603	1-125-777-11	CERAMIC CHIP 0.1UF 10.00% 10V		
1887		B	CAPACITOR		C3604	1-125-777-11	CERAMIC CHIP 0.1UF 10.00% 10V		
1888		B	CAPACITOR		C3605	1-125-777-11	CERAMIC CHIP 0.1UF 10.00% 10V		
1889		B	CAPACITOR		C3606	1-125-777-11	CERAMIC CHIP 0.1UF 10.00% 10V		
1890		B	CAPACITOR		C3607	1-127-760-11	CERAMIC CHIP 4.7UF 10% 6.3V		
1891		B	CAPACITOR		C3608	1-125-777-11	CERAMIC CHIP 0.1UF 10.00% 10V		
1892		B	CAPACITOR		C3609	1-125-777-11	CERAMIC CHIP 0.1UF 10.00% 10V		
1893		B	CAPACITOR		C3610	1-128-995-21	ELECT CHIP 100UF 20% 10V		
1894		B	CAPACITOR		C3611	1-164-230-11	CERAMIC CHIP 220PF 5.00% 50V		
1895		B	CAPACITOR		C3612	1-125-777-11	CERAMIC CHIP 0.1UF 10.00% 10V		
1896		B	CAPACITOR		C3613	1-128-995-21	ELECT CHIP 100UF 20% 10V		
1897		B	CAPACITOR		C3614	1-109-982-11	CERAMIC CHIP 1UF 10.00% 10V		
1898		B	CAPACITOR		C5001	1-162-919-11	CERAMIC CHIP 22PF 5.00% 50V		

No.	#	Board	Type	Δ/V^*	Ref. No.	Part No.	Description	Remarks-1	Remarks-2
1899		B	CAPACITOR		C5002	1-162-919-11	CERAMIC CHIP 22PF 5.00% 50V		
1900		B	CAPACITOR		C5003	1-125-777-11	CERAMIC CHIP 0.1UF 10.00% 10V		
1901		B	CAPACITOR		C5004	1-125-777-11	CERAMIC CHIP 0.1UF 10.00% 10V		
1902		B	CAPACITOR		C5005	1-125-777-11	CERAMIC CHIP 0.1UF 10.00% 10V		
1903		B	CAPACITOR		C5006	1-125-777-11	CERAMIC CHIP 0.1UF 10.00% 10V		
1904		B	CAPACITOR		C5007	1-125-777-11	CERAMIC CHIP 0.1UF 10.00% 10V		
1905		B	CAPACITOR		C5008	1-125-777-11	CERAMIC CHIP 0.1UF 10.00% 10V		
1906		B	CAPACITOR		C5009	1-125-777-11	CERAMIC CHIP 0.1UF 10.00% 10V		
1907		B	CAPACITOR		C5010	1-125-777-11	CERAMIC CHIP 0.1UF 10.00% 10V		
1908		B	CAPACITOR		C5011	1-162-962-11	CERAMIC CHIP 470PF 10.00% 50V		
1909		B	CAPACITOR		C5012	1-162-970-11	CERAMIC CHIP 0.01UF 10.00% 25V		
1910		B	CAPACITOR		C5013	1-162-927-11	CERAMIC CHIP 100PF 5.00% 50V		
1911		B	CAPACITOR		C5014	1-125-777-11	CERAMIC CHIP 0.1UF 10.00% 10V		
1912		B	CAPACITOR		C5015	1-162-905-11	CERAMIC CHIP 1PF 0.25PF 50V		
1913		B	CAPACITOR		C5016	1-125-837-91	CERAMIC CHIP 1UF 10% 6.3V		
1914		B	CAPACITOR		C5017	1-107-826-11	CERAMIC CHIP 0.1UF 10.00% 16V		
1915		B	CAPACITOR		C5018	1-107-826-11	CERAMIC CHIP 0.1UF 10.00% 16V		
1916		B	CAPACITOR		C5019	1-125-837-91	CERAMIC CHIP 1UF 10% 6.3V		
1917		B	CAPACITOR		C5020	1-107-826-11	CERAMIC CHIP 0.1UF 10.00% 16V		
1918		B	CAPACITOR		C5022	1-125-777-11	CERAMIC CHIP 0.1UF 10.00% 10V		
1919		B	CAPACITOR		C5023	1-125-777-11	CERAMIC CHIP 0.1UF 10.00% 10V		
1920		B	CAPACITOR		C5024	1-125-777-11	CERAMIC CHIP 0.1UF 10.00% 10V		
1921		B	CAPACITOR		C5025	1-125-777-11	CERAMIC CHIP 0.1UF 10.00% 10V		
1922		B	CAPACITOR		C5026	1-125-777-11	CERAMIC CHIP 0.1UF 10.00% 10V		
1923		B	CAPACITOR		C5027	1-125-777-11	CERAMIC CHIP 0.1UF 10.00% 10V		
1924		B	CAPACITOR		C5028	1-125-777-11	CERAMIC CHIP 0.1UF 10.00% 10V		
1925		B	CAPACITOR		C5029	1-125-777-11	CERAMIC CHIP 0.1UF 10.00% 10V		
1926		B	CAPACITOR		C5030	1-125-777-11	CERAMIC CHIP 0.1UF 10.00% 10V		
1927		B	CAPACITOR		C5031	1-137-710-11	CERAMIC CHIP 10UF 20% 6.3V		
1928		B	CAPACITOR		C5032	1-125-777-11	CERAMIC CHIP 0.1UF 10.00% 10V		
1929		B	CAPACITOR		C5033	1-137-710-11	CERAMIC CHIP 10UF 20% 6.3V		
1930		B	CAPACITOR		C5034	1-100-159-91	CERAMIC CHIP 22UF 10% 6.3V		
1931		B	CAPACITOR		C5035	1-100-159-91	CERAMIC CHIP 22UF 10% 6.3V		
1932		B	CAPACITOR		C5036	1-125-777-11	CERAMIC CHIP 0.1UF 10.00% 10V		
1933		B	CAPACITOR		C5037	1-125-777-11	CERAMIC CHIP 0.1UF 10.00% 10V		
1934		B	CAPACITOR		C5039	1-125-777-11	CERAMIC CHIP 0.1UF 10.00% 10V		
1935		B	CAPACITOR		C5040	1-126-392-11	ELECT CHIP 100UF 20.00% 6.3V		
1936		B	CAPACITOR		C5041	1-125-777-11	CERAMIC CHIP 0.1UF 10.00% 10V		
1937		B	CAPACITOR		C5042	1-126-392-11	ELECT CHIP 100UF 20.00% 6.3V		
1938		B	CAPACITOR		C5801	1-100-159-91	CERAMIC CHIP 22UF 10% 6.3V		
1939		B	CAPACITOR		C5802	1-125-777-11	CERAMIC CHIP 0.1UF 10.00% 10V		
1940		B	CAPACITOR		C5803	1-125-777-11	CERAMIC CHIP 0.1UF 10.00% 10V		
1941		B	CAPACITOR		C5804	1-164-943-11	CERAMIC CHIP 0.01UF 10.00% 16V		
1942		B	CAPACITOR		C5805	1-164-935-11	CERAMIC CHIP 470PF 10.00% 50V		
1943		B	CAPACITOR		C5806	1-164-943-11	CERAMIC CHIP 0.01UF 10.00% 16V		
1944		B	CAPACITOR		C5807	1-164-935-11	CERAMIC CHIP 470PF 10.00% 50V		
1945		B	CAPACITOR		C5808	1-164-943-11	CERAMIC CHIP 0.01UF 10.00% 16V		
1946		B	CAPACITOR		C5809	1-164-935-11	CERAMIC CHIP 470PF 10.00% 50V		
1947		B	CAPACITOR		C5810	1-164-943-11	CERAMIC CHIP 0.01UF 10.00% 16V		
1948		B	CAPACITOR		C5811	1-164-935-11	CERAMIC CHIP 470PF 10.00% 50V		
1949		B	CAPACITOR		C5812	1-164-943-11	CERAMIC CHIP 0.01UF 10.00% 16V		
1950		B	CAPACITOR		C5813	1-164-935-11	CERAMIC CHIP 470PF 10.00% 50V		
1951		B	CAPACITOR		C5814	1-164-943-11	CERAMIC CHIP 0.01UF 10.00% 16V		
1952		B	CAPACITOR		C5815	1-164-935-11	CERAMIC CHIP 470PF 10.00% 50V		
1953		B	CAPACITOR		C5816	1-125-777-11	CERAMIC CHIP 0.1UF 10.00% 10V		
1954		B	CAPACITOR		C5817	1-164-943-11	CERAMIC CHIP 0.01UF 10.00% 16V		
1955		B	CAPACITOR		C5818	1-125-777-11	CERAMIC CHIP 0.1UF 10.00% 10V		
1956		B	CAPACITOR		C5819	1-164-935-11	CERAMIC CHIP 470PF 10.00% 50V		
1957		B	CAPACITOR		C5820	1-164-935-11	CERAMIC CHIP 470PF 10.00% 50V		
1958		B	CAPACITOR		C5821	1-164-943-11	CERAMIC CHIP 0.01UF 10.00% 16V		
1959		B	CAPACITOR		C5822	1-125-777-11	CERAMIC CHIP 0.1UF 10.00% 10V		
1960		B	CAPACITOR		C5823	1-126-390-11	ELECT CHIP 22UF 20.00% 6.3V		
1961		B	CAPACITOR		C5824	1-128-934-91	CERAMIC CHIP 0.33UF 20% 10V		
1962		B	CAPACITOR		C5825	1-164-935-11	CERAMIC CHIP 470PF 10.00% 50V		
1963		B	CAPACITOR		C5826	1-164-943-11	CERAMIC CHIP 0.01UF 10.00% 16V		
1964		B	CAPACITOR		C5827	1-164-943-11	CERAMIC CHIP 0.01UF 10.00% 16V		
1965		B	CAPACITOR		C5828	1-162-915-11	CERAMIC CHIP 10PF 0.50PF 50V		
1966		B	CAPACITOR		C5829	1-164-935-11	CERAMIC CHIP 470PF 10.00% 50V		
1967		B	CAPACITOR		C5830	1-162-910-11	CERAMIC CHIP 5PF 0.25PF 50V		
1968		B	CAPACITOR		C5831	1-126-412-11	ELECT CHIP 220UF 20.00% 4V		
1969		B	CAPACITOR		C5832	1-164-935-11	CERAMIC CHIP 470PF 10.00% 50V		
1970		B	CAPACITOR		C5833	1-164-943-11	CERAMIC CHIP 0.01UF 10.00% 16V		
1971		B	CAPACITOR		C5835	1-164-935-11	CERAMIC CHIP 470PF 10.00% 50V		

No.	#	Board	Type	Δ /*	Ref. No.	Part No.	Description	Remarks-1	Remarks-2
1972		B	CAPACITOR		C5836	1-164-943-11	CERAMIC CHIP 0.01UF 10.00% 16V		
1973		B	CAPACITOR		C5837	1-164-943-11	CERAMIC CHIP 0.01UF 10.00% 16V		
1974		B	CAPACITOR		C5838	1-125-777-11	CERAMIC CHIP 0.1UF 10.00% 10V		
1975		B	CAPACITOR		C5839	1-164-935-11	CERAMIC CHIP 470PF 10.00% 50V		
1976		B	CAPACITOR		C5840	1-164-935-11	CERAMIC CHIP 470PF 10.00% 50V		
1977		B	CAPACITOR		C5841	1-164-943-11	CERAMIC CHIP 0.01UF 10.00% 16V		
1978		B	CAPACITOR		C5842	1-164-935-11	CERAMIC CHIP 470PF 10.00% 50V		
1979		B	CAPACITOR		C5843	1-164-943-11	CERAMIC CHIP 0.01UF 10.00% 16V		
1980		B	CAPACITOR		C5844	1-164-935-11	CERAMIC CHIP 470PF 10.00% 50V		
1981		B	CAPACITOR		C5845	1-164-943-11	CERAMIC CHIP 0.01UF 10.00% 16V		
1982		B	CAPACITOR		C5846	1-164-943-11	CERAMIC CHIP 0.01UF 10.00% 16V		
1983		B	CAPACITOR		C5847	1-164-935-11	CERAMIC CHIP 470PF 10.00% 50V		
1984		B	CAPACITOR		C5848	1-164-935-11	CERAMIC CHIP 470PF 10.00% 50V		
1985		B	CAPACITOR		C5849	1-164-935-11	CERAMIC CHIP 470PF 10.00% 50V		
1986		B	CAPACITOR		C5850	1-164-943-11	CERAMIC CHIP 0.01UF 10.00% 16V		
1987		B	CAPACITOR		C5851	1-164-943-11	CERAMIC CHIP 0.01UF 10.00% 16V		
1988		B	CAPACITOR		C5852	1-125-777-11	CERAMIC CHIP 0.1UF 10.00% 10V		
1989		B	CAPACITOR		C5853	1-164-935-11	CERAMIC CHIP 470PF 10.00% 50V		
1990		B	CAPACITOR		C5854	1-164-943-11	CERAMIC CHIP 0.01UF 10.00% 16V		
1991		B	CAPACITOR		C5855	1-164-943-11	CERAMIC CHIP 0.01UF 10.00% 16V		
1992		B	CAPACITOR		C5856	1-164-943-11	CERAMIC CHIP 0.01UF 10.00% 16V		
1993		B	CAPACITOR		C5857	1-164-935-11	CERAMIC CHIP 470PF 10.00% 50V		
1994		B	CAPACITOR		C5858	1-164-935-11	CERAMIC CHIP 470PF 10.00% 50V		
1995		B	CAPACITOR		C5859	1-164-935-11	CERAMIC CHIP 470PF 10.00% 50V		
1996		B	CAPACITOR		C5860	1-164-943-11	CERAMIC CHIP 0.01UF 10.00% 16V		
1997		B	CAPACITOR		C5861	1-164-943-11	CERAMIC CHIP 0.01UF 10.00% 16V		
1998		B	CAPACITOR		C5862	1-164-935-11	CERAMIC CHIP 470PF 10.00% 50V		
1999		B	CAPACITOR		C5863	1-164-943-11	CERAMIC CHIP 0.01UF 10.00% 16V		
2000		B	CAPACITOR		C5864	1-164-935-11	CERAMIC CHIP 470PF 10.00% 50V		
2001		B	CAPACITOR		C5865	1-164-935-11	CERAMIC CHIP 470PF 10.00% 50V		
2002		B	CAPACITOR		C5866	1-164-943-11	CERAMIC CHIP 0.01UF 10.00% 16V		
2003		B	CAPACITOR		C5867	1-164-943-11	CERAMIC CHIP 0.01UF 10.00% 16V		
2004		B	CAPACITOR		C5868	1-164-935-11	CERAMIC CHIP 470PF 10.00% 50V		
2005		B	CAPACITOR		C5869	1-164-943-11	CERAMIC CHIP 0.01UF 10.00% 16V		
2006		B	CAPACITOR		C5870	1-164-935-11	CERAMIC CHIP 470PF 10.00% 50V		
2007		B	CAPACITOR		C5871	1-126-392-11	ELECT CHIP 100UF 20.00% 6.3V		
2008		B	CAPACITOR		C5872	1-126-392-11	ELECT CHIP 100UF 20.00% 6.3V		
2009		B	CAPACITOR		C5873	1-164-935-11	CERAMIC CHIP 470PF 10.00% 50V		
2010		B	CAPACITOR		C5874	1-164-943-11	CERAMIC CHIP 0.01UF 10.00% 16V		
2011		B	CAPACITOR		C5875	1-164-935-11	CERAMIC CHIP 470PF 10.00% 50V		
2012		B	CAPACITOR		C5876	1-164-943-11	CERAMIC CHIP 0.01UF 10.00% 16V		
2013		B	CAPACITOR		C5877	1-164-935-11	CERAMIC CHIP 470PF 10.00% 50V		
2014		B	CAPACITOR		C5878	1-164-943-11	CERAMIC CHIP 0.01UF 10.00% 16V		
2015		B	CAPACITOR		C5879	1-164-935-11	CERAMIC CHIP 470PF 10.00% 50V		
2016		B	CAPACITOR		C5880	1-164-943-11	CERAMIC CHIP 0.01UF 10.00% 16V		
2017		B	CAPACITOR		C5881	1-164-943-11	CERAMIC CHIP 0.01UF 10.00% 16V		
2018		B	CAPACITOR		C5882	1-164-935-11	CERAMIC CHIP 470PF 10.00% 50V		
2019		B	CAPACITOR		C5883	1-164-935-11	CERAMIC CHIP 470PF 10.00% 50V		
2020		B	CAPACITOR		C5884	1-164-943-11	CERAMIC CHIP 0.01UF 10.00% 16V		
2021		B	CAPACITOR		C5885	1-164-935-11	CERAMIC CHIP 470PF 10.00% 50V		
2022		B	CAPACITOR		C5886	1-164-943-11	CERAMIC CHIP 0.01UF 10.00% 16V		
2023		B	CAPACITOR		C5887	1-164-943-11	CERAMIC CHIP 0.01UF 10.00% 16V		
2024		B	CAPACITOR		C5888	1-164-943-11	CERAMIC CHIP 0.01UF 10.00% 16V		
2025		B	CAPACITOR		C5889	1-164-943-11	CERAMIC CHIP 0.01UF 10.00% 16V		
2026		B	CAPACITOR		C5890	1-164-943-11	CERAMIC CHIP 0.01UF 10.00% 16V		
2027		B	CAPACITOR		C5891	1-164-943-11	CERAMIC CHIP 0.01UF 10.00% 16V		
2028		B	CAPACITOR		C5892	1-164-943-11	CERAMIC CHIP 0.01UF 10.00% 16V		
2029		B	CAPACITOR		C5893	1-164-935-11	CERAMIC CHIP 470PF 10.00% 50V		
2030		B	CAPACITOR		C5894	1-164-935-11	CERAMIC CHIP 470PF 10.00% 50V		
2031		B	CAPACITOR		C5895	1-162-964-11	CERAMIC CHIP 0.001UF 10.00% 50V		
2032		B	CONNECTOR		CN1002	1-779-936-21	CONNECTOR, FFC/FPC 18P		
2033		B	CONNECTOR		CN1003	1-774-769-11	CONNECTOR, FFC/FPC 25P		
2034		B	CONNECTOR	*	CN1004	1-766-376-11	PIN, CONNECTOR (1.5MM)(SMD) 9P		
2035		B	CONNECTOR		CN1005	1-774-769-11	CONNECTOR, FFC/FPC 25P		
2036		B	CONNECTOR		CN1006	1-573-768-41	PIN, CONNECTOR (1.5MM) (SMD)5P		
2037		B	CONNECTOR		CN1007	1-774-769-11	CONNECTOR, FFC/FPC 25P		
2038		B	CONNECTOR		CN1008	1-691-550-11	PIN, CONNECTOR (1.5MM)(SMD) 3P		
2039		B	CONNECTOR	*	CN1009	1-764-250-11	PIN, CONNECTOR (PC BOARD) 4P		
2040		B	CONNECTOR		CN3001	1-816-511-21	CONNECTOR, FFC/FPC (ZIF) 50P		
2041		B	CONNECTOR		CN3002	1-779-884-11	CONNECTOR 4P		
2042		B	CONNECTOR	*	CN5801	1-816-544-22	PIN, CONNECTOR (PC BOARD) 20P		
2043		B	DIODE		D1002	8-719-024-77	DIODE HN1D03FU-TE85L		
2044		B	DIODE		D1003	8-719-081-97	DIODE MMDL914T1		

No.	#	Board	Type	△/*	Ref. No.	Part No.	Description	Remarks-1	Remarks-2
2045		B	DIODE		D1005	8-719-081-97	DIODE MMDL914T1		
2046		B	DIODE		D1006	8-719-077-59	DIODE 1PS302		
2047		B	DIODE		D1008	8-719-036-94	DIODE RD5.6SB-T1		
2048		B	DIODE		D1009	8-719-036-94	DIODE RD5.6SB-T1		
2049		B	DIODE		D1012	8-719-036-94	DIODE RD5.6SB-T1		
2050		B	DIODE		D1190	8-719-066-11	DIODE 1PS184-115		
2051		B	DIODE		D1192	8-719-036-94	DIODE RD5.6SB-T1		
2052		B	DIODE		D5001	8-719-066-11	DIODE 1PS184-115		
2053		B	DIODE		D5002	8-719-066-11	DIODE 1PS184-115		
2054		B	DIODE		D5004	8-719-081-97	DIODE MMDL914T1		
2055		B	DIODE		D5005	8-719-081-97	DIODE MMDL914T1		
2056		B	DIODE		D5006	8-719-081-97	DIODE MMDL914T1		
2057		B	FERRITE BEAD		FB1001	1-414-445-11	FERRITE 0UH		
2058		B	FERRITE BEAD		FB1002	1-414-445-11	FERRITE 0UH		
2059		B	FERRITE BEAD		FB1003	1-469-775-21	FERRITE 0UH		
2060		B	FERRITE BEAD		FB1004	1-414-445-11	FERRITE 0UH		
2061		B	FERRITE BEAD		FB3008	1-414-864-11	FERRITE 0UH		
2062		B	FERRITE BEAD		FB3009	1-414-234-22	FERRITE 0UH		
2063		B	FERRITE BEAD		FB3301	1-414-445-11	FERRITE 0UH		
2064		B	FERRITE BEAD		FB3302	1-414-864-11	FERRITE 0UH		
2065		B	FERRITE BEAD		FB3303	1-414-445-11	FERRITE 0UH		
2066		B	FERRITE BEAD		FB3304	1-414-445-11	FERRITE 0UH		
2067		B	FERRITE BEAD		FB3305	1-414-445-11	FERRITE 0UH		
2068		B	FERRITE BEAD		FB5001	1-414-445-11	FERRITE 0UH		
2069		B	FERRITE BEAD		FB5002	1-414-445-11	FERRITE 0UH		
2070		B	FERRITE BEAD		FB5003	1-414-445-11	FERRITE 0UH		
2071		B	FERRITE BEAD		FB5004	1-414-445-11	FERRITE 0UH		
2072		B	FERRITE BEAD		FB5005	1-414-445-11	FERRITE 0UH		
2073		B	FERRITE BEAD		FB5006	1-414-445-11	FERRITE 0UH		
2074		B	FERRITE BEAD		FB5007	1-414-445-11	FERRITE 0UH		
2075		B	FERRITE BEAD		FB5008	1-414-445-11	FERRITE 0UH		
2076		B	FERRITE BEAD		FB5009	1-414-445-11	FERRITE 0UH		
2077		B	FERRITE BEAD		FB5010	1-414-864-11	FERRITE 0UH		
2078		B	FERRITE BEAD		FB5011	1-414-864-11	FERRITE 0UH		
2079		B	FERRITE BEAD		FB5012	1-414-864-11	FERRITE 0UH		
2080		B	FERRITE BEAD		FB5013	1-414-864-11	FERRITE 0UH		
2081		B	FERRITE BEAD		FB5801	1-414-864-11	FERRITE 0UH		
2082		B	FERRITE BEAD		FB5802	1-414-864-11	FERRITE 0UH		
2083		B	FERRITE BEAD		FB5803	1-414-445-11	FERRITE 0UH		
2084		B	FERRITE BEAD		FB5804	1-414-445-11	FERRITE 0UH		
2085		B	FERRITE BEAD		FB5805	1-414-445-11	FERRITE 0UH		
2086		B	FERRITE BEAD		FB5806	1-414-445-11	FERRITE 0UH		
2087		B	FERRITE BEAD		FB5807	1-400-180-21	INDUCTOR 0UH		
2088		B	FILTER		FL3001	1-234-560-21	FILTER, LOW PASS		
2089		B	FILTER		FL3002	1-234-559-21	FILTER, LOW PASS		
2090		B	FILTER		FL3003	1-234-559-21	FILTER, LOW PASS		
2091		B	FILTER		FL3004	1-234-177-21	FERRITE 0UH		
2092		B	FILTER		FL3005	1-234-177-21	FERRITE 0UH		
2093		B	FILTER		FL3006	1-234-177-21	FERRITE 0UH		
2094		B	FILTER		FL3007	1-234-177-21	FERRITE 0UH		
2095		B	FILTER		FL3008	1-234-677-21	FILTER, EMI		
2096		B	FILTER		FL3301	1-234-177-21	FERRITE 0UH		
2097		B	FILTER		FL3302	1-234-177-21	FERRITE 0UH		
2098		B	FILTER		FL3303	1-234-177-21	FERRITE 0UH		
2099		B	FILTER		FL3304	1-234-177-21	FERRITE 0UH		
2100		B	FILTER		FL5001	1-234-177-21	FERRITE 0UH		
2101		B	FILTER		FL5801	1-234-177-21	FERRITE 0UH		
2102		B	FILTER		FL5802	1-234-177-21	FERRITE 0UH		
2103		B	IC		IC1001	8-759-460-72	IC BA033FP-E2		
2104		B	IC		IC1002	8-759-476-80	IC LM75CIMX-3		
2105		B	IC		IC1006	6-803-708-02	IC HD64F2377VFQ33V-AT2U1000		
2106		B	IC		IC1007	6-703-225-01	IC S-80928CNMC-G8YT2G		
2107		B	IC		IC1008	6-702-688-01	IC M24C64-WMN6T(B)		
2108		B	IC		IC1009	8-759-592-49	IC TC7SZ125FU(TE85R)		
2109		B	IC		IC1010	8-759-549-03	IC SN74LV132APWR		
2110		B	IC		IC1190	6-704-191-01	IC S-80829CNMB-B8OT2G		
2111		B	IC		IC3001	8-759-278-58	IC NJM4558V-TE2		
2112		B	IC		IC3002	6-705-529-01	IC LMH6658MMX/J5000172		
2113		B	IC		IC3003	6-705-529-01	IC LMH6658MMX/J5000172		
2114		B	IC		IC3005	8-759-712-65	IC PQ070XZ01ZP		
2115		B	IC		IC3006	8-759-712-65	IC PQ070XZ01ZP		
2116		B	IC		IC3007	8-752-425-02	IC CXD3802BQ		
2117		B	IC		IC3008	6-703-430-01	IC MT48LC2M32B2TG-6-Y94W		

No.	#	Board	Type	Δ/μ *	Ref. No.	Part No.	Description	Remarks-1	Remarks-2
2118		B	IC		IC3301	6-700-227-01	IC MM1561JFBE		
2119		B	IC		IC3302	8-752-422-52	IC CXD2097BQ		
2120		B	IC		IC3303	6-703-791-01	IC MSM56V16160F-8T3FM1		
2121		B	IC		IC3304	8-759-669-78	IC TLC2933IPWR-12		
2122		B	IC		IC3600	8-752-937-39	IC CXP964032-003R		
2123		B	IC		IC5001	6-803-707-01	IC MX29LV800ATTC-70G-YSZ-1		
2124		B	IC		IC5002	8-759-549-03	IC SN74LV132APWR		
2125		B	IC		IC5003	8-759-669-44	IC SN74LVC74APWR-12		
2126		B	IC		IC5004	6-704-191-01	IC S-80829CNNB-B8OT2G		
2127		B	IC		IC5005	6-704-192-01	IC S-80822CNNB-B8HT2G		
2128		B	IC		IC5006	6-701-145-01	IC MC74LVX00DTR2		
2129		B	IC		IC5007	6-704-190-01	IC SN74ALVCH16823DGGR		
2130		B	IC		IC5008	8-759-712-65	IC PQ070XZ01ZP		
2131		B	IC		IC5009	8-759-712-65	IC PQ070XZ01ZP		
2132		B	IC		IC5801	8-759-676-70	IC MSM56V16160F-10TS-K		
2133		B	IC		IC5802	6-703-689-01	IC CXD9756R		
2134		B	IC		IC5803	6-700-394-01	IC BA25BC0FP-E2		
2135		B	IC		IC5804	6-701-098-11	IC THC63LVD83R-T		
2136		B	IC		IC7503	6-702-662-01	IC PW166B-10T		
2137		B	COIL		L1001	1-412-030-11	INDUCTOR 22UH		
2138		B	COIL		L3001	1-469-525-91	INDUCTOR 10UH		
2139		B	COIL		L3002	1-469-528-91	INDUCTOR 100UH		
2140		B	COIL		L3004	1-469-525-91	INDUCTOR 10UH		
2141		B	COIL		L3005	1-412-026-11	INDUCTOR 1UH		
2142		B	COIL		L3006	1-412-026-11	INDUCTOR 1UH		
2143		B	COIL		L3007	1-469-525-91	INDUCTOR 10UH		
2144		B	COIL		L3008	1-469-525-91	INDUCTOR 10UH		
2145		B	COIL		L3009	1-469-525-91	INDUCTOR 10UH		
2146		B	COIL		L3010	1-412-029-11	INDUCTOR 10UH		
2147		B	COIL		L3301	1-469-525-91	INDUCTOR 10UH		
2148		B	COIL		L3302	1-469-528-91	INDUCTOR 100UH		
2149		B	COIL		L3303	1-469-528-91	INDUCTOR 100UH		
2150		B	COIL		L3600	1-469-525-91	INDUCTOR 10UH		
2151		B	COIL		L3601	1-469-525-91	INDUCTOR 10UH		
2152		B	COIL		L5801	1-419-774-21	INDUCTOR 0UH		
2153		B	COIL		L5802	1-419-774-21	INDUCTOR 0UH		
2154		B	COIL		L5803	1-419-774-21	INDUCTOR 0UH		
2155		B	COIL		L5804	1-419-774-21	INDUCTOR 0UH		
2156		B	COIL		L5805	1-419-774-21	INDUCTOR 0UH		
2157		B	TRANSISTOR		Q1006	8-729-013-28	TRANSISTOR HN1B01FU-TE85R		
2158		B	TRANSISTOR		Q1007	8-729-907-00	TRANSISTOR DTC114EU		
2159		B	TRANSISTOR		Q1008	8-729-907-00	TRANSISTOR DTC114EU		
2160		B	TRANSISTOR		Q1009	8-729-025-28	TRANSISTOR 2SK1828		
2161		B	TRANSISTOR		Q1010	8-729-025-28	TRANSISTOR 2SK1828		
2162		B	TRANSISTOR		Q1015	8-729-907-00	TRANSISTOR DTC114EU		
2163		B	TRANSISTOR		Q1016	8-729-907-00	TRANSISTOR DTC114EU		
2164		B	TRANSISTOR		Q1017	8-729-025-28	TRANSISTOR 2SK1828		
2165		B	TRANSISTOR		Q1018	8-729-025-28	TRANSISTOR 2SK1828		
2166		B	TRANSISTOR		Q3004	8-729-117-73	TRANSISTOR 2SC4178-F14		
2167		B	TRANSISTOR		Q3005	8-729-117-73	TRANSISTOR 2SC4178-F14		
2168		B	TRANSISTOR		Q3006	8-729-117-73	TRANSISTOR 2SC4178-F14		
2169		B	TRANSISTOR		Q3007	8-729-122-63	TRANSISTOR 2SA1226-E4		
2170		B	TRANSISTOR		Q3008	8-729-122-63	TRANSISTOR 2SA1226-E4		
2171		B	TRANSISTOR		Q3009	8-729-122-63	TRANSISTOR 2SA1226-E4		
2172		B	TRANSISTOR		Q3011	6-550-585-01	TRANSISTOR 2PC4081R-115		
2173		B	TRANSISTOR		Q3012	8-729-117-73	TRANSISTOR 2SC4178-F14		
2174		B	TRANSISTOR		Q3013	8-729-117-73	TRANSISTOR 2SC4178-F14		
2175		B	TRANSISTOR		Q3015	8-729-010-25	TRANSISTOR MSD601-RT1		
2176		B	TRANSISTOR		Q3304	6-550-586-01	TRANSISTOR 2PA1576R-115		
2177		B	TRANSISTOR		Q3305	6-550-585-01	TRANSISTOR 2PC4081R-115		
2178		B	TRANSISTOR		Q3600	8-729-424-02	TRANSISTOR 2SB709A-QRS-TX		
2179		B	TRANSISTOR		Q5801	6-550-014-01	TRANSISTOR SSM6N15FU(TE85R)		
2180		B	TRANSISTOR		Q5802	8-729-028-86	TRANSISTOR DTA143EUA-T106		
2181		B	TRANSISTOR		Q5803	8-729-907-00	TRANSISTOR DTC114EU		
2182		B	TRANSISTOR		Q5804	8-729-907-00	TRANSISTOR DTC114EU		
2183		B	TRANSISTOR		Q5805	8-729-046-75	TRANSISTOR SI2301DS-T1		
2184		B	RESISTOR		R1005	1-218-990-11	SHORT CHIP 0		
2185		B	RESISTOR		R1006	1-218-941-81	RES-CHIP 100 5% 1/16W		
2186		B	RESISTOR		R1007	1-218-990-11	SHORT CHIP 0		
2187		B	RESISTOR		R1008	1-218-990-11	SHORT CHIP 0		
2188		B	RESISTOR		R1009	1-218-990-11	SHORT CHIP 0		
2189		B	RESISTOR		R1010	1-218-965-11	RES-CHIP 10K 5% 1/16W		
2190		B	RESISTOR		R1011	1-218-965-11	RES-CHIP 10K 5% 1/16W		

No.	#	Board	Type	Δ/\ast	Ref. No.	Part No.	Description	Remarks-1	Remarks-2
2191		B	RESISTOR		R1012	1-218-973-11	RES-CHIP 47K 5% 1/16W		
2192		B	RESISTOR		R1013	1-218-965-11	RES-CHIP 10K 5% 1/16W		
2193		B	RESISTOR		R1014	1-218-973-11	RES-CHIP 47K 5% 1/16W		
2194		B	RESISTOR		R1015	1-218-965-11	RES-CHIP 10K 5% 1/16W		
2195		B	RESISTOR		R1016	1-218-961-11	RES-CHIP 4.7K 5% 1/16W		
2196		B	RESISTOR		R1017	1-216-805-11	METAL CHIP 47 5% 1/10W		
2197		B	RESISTOR		R1018	1-216-805-11	METAL CHIP 47 5% 1/10W		
2198		B	RESISTOR		R1020	1-216-864-11	SHORT CHIP 0		
2199		B	RESISTOR		R1022	1-216-864-11	SHORT CHIP 0		
2200		B	RESISTOR		R1026	1-216-864-11	SHORT CHIP 0		
2201		B	RESISTOR		R1027	1-216-864-11	SHORT CHIP 0		
2202		B	RESISTOR		R1028	1-216-864-11	SHORT CHIP 0		
2203		B	RESISTOR		R1029	1-218-990-11	SHORT CHIP 0		
2204		B	RESISTOR		R1031	1-218-941-81	RES-CHIP 100 5% 1/16W		
2205		B	RESISTOR		R1032	1-218-965-11	RES-CHIP 10K 5% 1/16W		
2206		B	RESISTOR		R1034	1-218-961-11	RES-CHIP 4.7K 5% 1/16W		
2207		B	RESISTOR		R1036	1-216-864-11	SHORT CHIP 0		
2208		B	RESISTOR		R1037	1-216-864-11	SHORT CHIP 0		
2209		B	RESISTOR		R1038	1-216-864-11	SHORT CHIP 0		
2210		B	RESISTOR		R1039	1-216-864-11	SHORT CHIP 0		
2211		B	RESISTOR		R1048	1-218-961-11	RES-CHIP 4.7K 5% 1/16W		
2212		B	RESISTOR		R1049	1-218-961-11	RES-CHIP 4.7K 5% 1/16W		
2213		B	RESISTOR		R1055	1-218-961-11	RES-CHIP 4.7K 5% 1/16W		
2214		B	RESISTOR		R1058	1-220-183-81	RES-CHIP 1.1K 5% 1/16W		
2215		B	RESISTOR		R1060	1-218-941-81	RES-CHIP 100 5% 1/16W		
2216		B	RESISTOR		R1061	1-218-941-81	RES-CHIP 100 5% 1/16W		
2217		B	RESISTOR		R1062	1-218-941-81	RES-CHIP 100 5% 1/16W		
2218		B	RESISTOR		R1063	1-218-941-81	RES-CHIP 100 5% 1/16W		
2219		B	RESISTOR		R1064	1-218-941-81	RES-CHIP 100 5% 1/16W		
2220		B	RESISTOR		R1065	1-218-941-81	RES-CHIP 100 5% 1/16W		
2221		B	RESISTOR		R1066	1-218-941-81	RES-CHIP 100 5% 1/16W		
2222		B	RESISTOR		R1067	1-218-941-81	RES-CHIP 100 5% 1/16W		
2223		B	RESISTOR		R1068	1-218-965-11	RES-CHIP 10K 5% 1/16W		
2224		B	RESISTOR		R1070	1-218-965-11	RES-CHIP 10K 5% 1/16W		
2225		B	RESISTOR		R1071	1-218-965-11	RES-CHIP 10K 5% 1/16W		
2226		B	RESISTOR		R1072	1-208-635-11	METAL CHIP 10 0.5% 1/16W		
2227		B	RESISTOR		R1073	1-216-833-11	METAL CHIP 10K 5% 1/10W		
2228		B	RESISTOR		R1074	1-218-945-11	RES-CHIP 220 5% 1/16W		
2229		B	RESISTOR		R1077	1-216-841-11	METAL CHIP 47K 5% 1/10W		
2230		B	RESISTOR		R1081	1-216-841-11	METAL CHIP 47K 5% 1/10W		
2231		B	RESISTOR		R1082	1-218-965-11	RES-CHIP 10K 5% 1/16W		
2232		B	RESISTOR		R1084	1-218-965-11	RES-CHIP 10K 5% 1/16W		
2233		B	RESISTOR		R1085	1-218-965-11	RES-CHIP 10K 5% 1/16W		
2234		B	RESISTOR		R1086	1-218-941-81	RES-CHIP 100 5% 1/16W		
2235		B	RESISTOR		R1087	1-218-941-81	RES-CHIP 100 5% 1/16W		
2236		B	RESISTOR		R1088	1-218-959-11	RES-CHIP 3.3K 5% 1/16W		
2237		B	RESISTOR		R1089	1-218-941-81	RES-CHIP 100 5% 1/16W		
2238		B	RESISTOR		R1090	1-218-941-81	RES-CHIP 100 5% 1/16W		
2239		B	RESISTOR		R1091	1-218-941-81	RES-CHIP 100 5% 1/16W		
2240		B	RESISTOR		R1092	1-218-941-81	RES-CHIP 100 5% 1/16W		
2241		B	RESISTOR		R1094	1-218-965-11	RES-CHIP 10K 5% 1/16W		
2242		B	RESISTOR		R1095	1-218-961-11	RES-CHIP 4.7K 5% 1/16W		
2243		B	RESISTOR		R1096	1-218-965-11	RES-CHIP 10K 5% 1/16W		
2244		B	RESISTOR		R1099	1-218-965-11	RES-CHIP 10K 5% 1/16W		
2245		B	RESISTOR		R1100	1-216-864-11	SHORT CHIP 0		
2246		B	RESISTOR		R1101	1-216-864-11	SHORT CHIP 0		
2247		B	RESISTOR		R1102	1-216-864-11	SHORT CHIP 0		
2248		B	RESISTOR		R1103	1-216-864-11	SHORT CHIP 0		
2249		B	RESISTOR		R1104	1-216-813-11	METAL CHIP 220 5% 1/10W		
2250		B	RESISTOR		R1105	1-216-864-11	SHORT CHIP 0		
2251		B	RESISTOR		R1106	1-216-864-11	SHORT CHIP 0		
2252		B	RESISTOR		R1107	1-216-818-11	METAL CHIP 560 5% 1/10W		
2253		B	RESISTOR		R1144	1-218-973-11	RES-CHIP 47K 5% 1/16W		
2254		B	RESISTOR		R1145	1-218-973-11	RES-CHIP 47K 5% 1/16W		
2255		B	RESISTOR		R1146	1-218-973-11	RES-CHIP 47K 5% 1/16W		
2256		B	RESISTOR		R1147	1-218-961-11	RES-CHIP 4.7K 5% 1/16W		
2257		B	RESISTOR		R1148	1-218-961-11	RES-CHIP 4.7K 5% 1/16W		
2258		B	RESISTOR		R1157	1-218-959-11	RES-CHIP 3.3K 5% 1/16W		
2259		B	RESISTOR		R1158	1-218-945-11	RES-CHIP 220 5% 1/16W		
2260		B	RESISTOR		R1159	1-218-941-81	RES-CHIP 100 5% 1/16W		
2261		B	RESISTOR		R1160	1-218-941-81	RES-CHIP 100 5% 1/16W		
2262		B	RESISTOR		R1163	1-216-821-11	METAL CHIP 1K 5% 1/10W		
2263		B	RESISTOR		R1164	1-216-841-11	METAL CHIP 47K 5% 1/10W		

No.	#	Board	Type	Δ / [*]	Ref. No.	Part No.	Description	Remarks-1	Remarks-2
2264		B	RESISTOR		R1165	1-216-841-11	METAL CHIP 47K 5% 1/10W		
2265		B	RESISTOR		R1166	1-216-829-11	METAL CHIP 4.7K 5% 1/10W		
2266		B	RESISTOR		R1167	1-216-829-11	METAL CHIP 4.7K 5% 1/10W		
2267		B	RESISTOR		R1168	1-216-833-11	METAL CHIP 10K 5% 1/10W		
2268		B	RESISTOR		R1169	1-216-833-11	METAL CHIP 10K 5% 1/10W		
2269		B	RESISTOR		R1170	1-216-809-11	METAL CHIP 100 5% 1/10W		
2270		B	RESISTOR		R1171	1-216-809-11	METAL CHIP 100 5% 1/10W		
2271		B	RESISTOR		R1172	1-216-849-11	METAL CHIP 220K 5% 1/10W		
2272		B	RESISTOR		R1173	1-218-941-81	RES-CHIP 100 5% 1/16W		
2273		B	RESISTOR		R1175	1-216-864-11	SHORT CHIP 0		
2274		B	RESISTOR		R1177	1-216-864-11	SHORT CHIP 0		
2275		B	RESISTOR		R1190	1-216-834-11	METAL CHIP 12K 5% 1/10W		
2276		B	RESISTOR		R1191	1-216-827-11	METAL CHIP 3.3K 5% 1/10W		
2277		B	RESISTOR		R1192	1-216-833-11	METAL CHIP 10K 5% 1/10W		
2278		B	RESISTOR		R1195	1-218-990-11	SHORT CHIP 0		
2279		B	RESISTOR		R1202	1-218-724-11	METAL CHIP 22K 0.5% 1/10W		
2280		B	RESISTOR		R1203	1-218-724-11	METAL CHIP 22K 0.5% 1/10W		
2281		B	RESISTOR		R1204	1-218-865-11	METAL CHIP 5.6K 0.5% 1/10W		
2282		B	RESISTOR		R3001	1-216-809-11	METAL CHIP 100 5% 1/10W		
2283		B	RESISTOR		R3002	1-216-809-11	METAL CHIP 100 5% 1/10W		
2284		B	RESISTOR		R3003	1-216-809-11	METAL CHIP 100 5% 1/10W		
2285		B	RESISTOR		R3006	1-218-965-11	RES-CHIP 10K 5% 1/16W		
2286		B	RESISTOR		R3007	1-216-864-11	SHORT CHIP 0		
2287		B	RESISTOR		R3008	1-216-864-11	SHORT CHIP 0		
2288		B	RESISTOR		R3009	1-216-864-11	SHORT CHIP 0		
2289		B	RESISTOR		R3010	1-216-864-11	SHORT CHIP 0		
2290		B	RESISTOR		R3011	1-216-864-11	SHORT CHIP 0		
2291		B	RESISTOR		R3012	1-216-864-11	SHORT CHIP 0		
2292		B	RESISTOR		R3014	1-218-990-11	SHORT CHIP 0		
2293		B	RESISTOR		R3015	1-216-864-11	SHORT CHIP 0		
2294		B	RESISTOR		R3016	1-218-990-11	SHORT CHIP 0		
2295		B	RESISTOR		R3017	1-216-864-11	SHORT CHIP 0		
2296		B	RESISTOR		R3018	1-218-990-11	SHORT CHIP 0		
2297		B	RESISTOR		R3019	1-216-864-11	SHORT CHIP 0		
2298		B	RESISTOR		R3020	1-216-864-11	SHORT CHIP 0		
2299		B	RESISTOR		R3021	1-218-990-11	SHORT CHIP 0		
2300		B	RESISTOR		R3022	1-216-864-11	SHORT CHIP 0		
2301		B	RESISTOR		R3025	1-216-864-11	SHORT CHIP 0		
2302		B	RESISTOR		R3026	1-218-952-11	RES-CHIP 820 5% 1/16W		
2303		B	RESISTOR		R3027	1-218-952-11	RES-CHIP 820 5% 1/16W		
2304		B	RESISTOR		R3028	1-218-952-11	RES-CHIP 820 5% 1/16W		
2305		B	RESISTOR		R3029	1-216-864-11	SHORT CHIP 0		
2306		B	RESISTOR		R3047	1-218-990-11	SHORT CHIP 0		
2307		B	RESISTOR		R3050	1-216-864-11	SHORT CHIP 0		
2308		B	RESISTOR		R3052	1-216-864-11	SHORT CHIP 0		
2309		B	RESISTOR		R3053	1-218-675-11	METAL CHIP 200 0.5% 1/10W		
2310		B	RESISTOR		R3054	1-218-679-11	METAL CHIP 300 0.5% 1/10W		
2311		B	RESISTOR		R3055	1-218-679-11	METAL CHIP 300 0.5% 1/10W		
2312		B	RESISTOR		R3057	1-216-864-11	SHORT CHIP 0		
2313		B	RESISTOR		R3058	1-218-990-11	SHORT CHIP 0		
2314		B	RESISTOR		R3059	1-218-675-11	METAL CHIP 200 0.5% 1/10W		
2315		B	RESISTOR		R3060	1-218-679-11	METAL CHIP 300 0.5% 1/10W		
2316		B	RESISTOR		R3061	1-218-679-11	METAL CHIP 300 0.5% 1/10W		
2317		B	RESISTOR		R3062	1-216-809-11	METAL CHIP 100 5% 1/10W		
2318		B	RESISTOR		R3063	1-216-809-11	METAL CHIP 100 5% 1/10W		
2319		B	RESISTOR		R3064	1-216-809-11	METAL CHIP 100 5% 1/10W		
2320		B	RESISTOR		R3065	1-216-853-11	METAL CHIP 470K 5% 1/10W		
2321		B	RESISTOR		R3066	1-216-823-11	METAL CHIP 1.5K 5% 1/10W		
2322		B	RESISTOR		R3067	1-216-823-11	METAL CHIP 1.5K 5% 1/10W		
2323		B	RESISTOR		R3068	1-216-823-11	METAL CHIP 1.5K 5% 1/10W		
2324		B	RESISTOR		R3069	1-216-853-11	METAL CHIP 470K 5% 1/10W		
2325		B	RESISTOR		R3070	1-216-864-11	SHORT CHIP 0		
2326		B	RESISTOR		R3071	1-218-965-11	RES-CHIP 10K 5% 1/16W		
2327		B	RESISTOR		R3072	1-218-966-11	RES-CHIP 12K 5% 1/16W		
2328		B	RESISTOR		R3074	1-216-864-11	SHORT CHIP 0		
2329		B	RESISTOR		R3075	1-216-864-11	SHORT CHIP 0		
2330		B	RESISTOR		R3076	1-216-845-11	METAL CHIP 100K 5% 1/10W		
2331		B	RESISTOR		R3077	1-216-845-11	METAL CHIP 100K 5% 1/10W		
2332		B	RESISTOR		R3078	1-216-848-11	METAL CHIP 180K 5% 1/10W		
2333		B	RESISTOR		R3079	1-216-845-11	METAL CHIP 100K 5% 1/10W		
2334		B	RESISTOR		R3080	1-216-845-11	METAL CHIP 100K 5% 1/10W		
2335		B	RESISTOR		R3081	1-216-848-11	METAL CHIP 180K 5% 1/10W		
2336		B	RESISTOR		R3083	1-216-864-11	SHORT CHIP 0		

No.	#	Board	Type	Δ /*	Ref. No.	Part No.	Description	Remarks-1	Remarks-2
2337		B	RESISTOR		R3084	1-218-684-11	METAL CHIP 470 0.5% 1/10W		
2338		B	RESISTOR		R3085	1-218-684-11	METAL CHIP 470 0.5% 1/10W		
2339		B	RESISTOR		R3086	1-218-684-11	METAL CHIP 470 0.5% 1/10W		
2340		B	RESISTOR		R3088	1-216-864-11	SHORT CHIP 0		
2341		B	RESISTOR		R3090	1-218-684-11	METAL CHIP 470 0.5% 1/10W		
2342		B	RESISTOR		R3091	1-218-712-11	METAL CHIP 6.8K 0.5% 1/10W		
2343		B	RESISTOR		R3092	1-218-957-11	RES-CHIP 2.2K 5% 1/16W		
2344		B	RESISTOR		R3093	1-218-684-11	METAL CHIP 470 0.5% 1/10W		
2345		B	RESISTOR		R3094	1-218-708-11	METAL CHIP 4.7K 0.5% 1/10W		
2346		B	RESISTOR		R3096	1-218-684-11	METAL CHIP 470 0.5% 1/10W		
2347		B	RESISTOR		R3098	1-218-708-11	METAL CHIP 4.7K 0.5% 1/10W		
2348		B	RESISTOR		R3099	1-218-652-11	METAL CHIP 22 0.5% 1/10W		
2349		B	RESISTOR		R3100	1-218-708-11	METAL CHIP 4.7K 0.5% 1/10W		
2350		B	RESISTOR		R3101	1-216-847-11	METAL CHIP 150K 5% 1/10W		
2351		B	RESISTOR		R3104	1-218-668-11	METAL CHIP 100 0.5% 1/10W		
2352		B	RESISTOR		R3106	1-218-688-11	METAL CHIP 680 0.5% 1/10W		
2353		B	RESISTOR		R3107	1-218-668-11	METAL CHIP 100 0.5% 1/10W		
2354		B	RESISTOR		R3109	1-218-965-11	RES-CHIP 10K 5% 1/16W		
2355		B	RESISTOR		R3111	1-216-864-11	SHORT CHIP 0		
2356		B	RESISTOR		R3112	1-218-688-11	METAL CHIP 680 0.5% 1/10W		
2357		B	RESISTOR		R3113	1-216-801-11	METAL CHIP 22 5% 1/10W		
2358		B	RESISTOR		R3115	1-216-801-11	METAL CHIP 22 5% 1/10W		
2359		B	RESISTOR		R3116	1-216-801-11	METAL CHIP 22 5% 1/10W		
2360		B	RESISTOR		R3120	1-218-965-11	RES-CHIP 10K 5% 1/16W		
2361		B	RESISTOR		R3121	1-218-965-11	RES-CHIP 10K 5% 1/16W		
2362		B	RESISTOR		R3122	1-218-692-11	METAL CHIP 1K 0.5% 1/10W		
2363		B	RESISTOR		R3123	1-218-692-11	METAL CHIP 1K 0.5% 1/10W		
2364		B	RESISTOR		R3124	1-218-693-11	METAL CHIP 1.1K 0.5% 1/10W		
2365		B	RESISTOR		R3125	1-218-692-11	METAL CHIP 1K 0.5% 1/10W		
2366		B	RESISTOR		R3126	1-216-864-11	SHORT CHIP 0		
2367		B	RESISTOR		R3127	1-218-708-11	METAL CHIP 4.7K 0.5% 1/10W		
2368		B	RESISTOR		R3128	1-218-696-11	METAL CHIP 1.5K 0.5% 1/10W		
2369		B	RESISTOR		R3129	1-216-864-11	SHORT CHIP 0		
2370		B	RESISTOR		R3131	1-218-720-11	METAL CHIP 15K 0.5% 1/10W		
2371		B	RESISTOR		R3136	1-218-965-11	RES-CHIP 10K 5% 1/16W		
2372		B	RESISTOR		R3137	1-216-864-11	SHORT CHIP 0		
2373		B	RESISTOR		R3138	1-218-941-81	RES-CHIP 100 5% 1/16W		
2374		B	RESISTOR		R3139	1-218-941-81	RES-CHIP 100 5% 1/16W		
2375		B	RESISTOR		R3141	1-216-864-11	SHORT CHIP 0		
2376		B	RESISTOR		R3142	1-216-864-11	SHORT CHIP 0		
2377		B	RESISTOR		R3143	1-218-990-11	SHORT CHIP 0		
2378		B	RESISTOR		R3145	1-218-990-11	SHORT CHIP 0		
2379		B	RESISTOR		R3146	1-218-933-11	RES-CHIP 22 5% 1/16W		
2380		B	RESISTOR		R3147	1-218-985-11	RES-CHIP 470K 5% 1/16W		
2381		B	RESISTOR		R3150	1-218-990-11	SHORT CHIP 0		
2382		B	RESISTOR		R3151	1-218-937-11	RES-CHIP 47 5% 1/16W		
2383		B	RESISTOR		R3152	1-218-937-11	RES-CHIP 47 5% 1/16W		
2384		B	RESISTOR		R3155	1-218-965-11	RES-CHIP 10K 5% 1/16W		
2385		B	RESISTOR		R3157	1-218-937-11	RES-CHIP 47 5% 1/16W		
2386		B	RESISTOR		R3158	1-218-965-11	RES-CHIP 10K 5% 1/16W		
2387		B	RESISTOR		R3162	1-218-937-11	RES-CHIP 47 5% 1/16W		
2388		B	RESISTOR		R3163	1-218-937-11	RES-CHIP 47 5% 1/16W		
2389		B	RESISTOR		R3165	1-218-965-11	RES-CHIP 10K 5% 1/16W		
2390		B	RESISTOR		R3167	1-218-965-11	RES-CHIP 10K 5% 1/16W		
2391		B	RESISTOR		R3168	1-218-990-11	SHORT CHIP 0		
2392		B	RESISTOR		R3169	1-218-990-11	SHORT CHIP 0		
2393		B	RESISTOR		R3170	1-218-990-11	SHORT CHIP 0		
2394		B	RESISTOR		R3301	1-218-937-11	RES-CHIP 47 5% 1/16W		
2395		B	RESISTOR		R3302	1-218-937-11	RES-CHIP 47 5% 1/16W		
2396		B	RESISTOR		R3308	1-218-937-11	RES-CHIP 47 5% 1/16W		
2397		B	RESISTOR		R3309	1-218-945-11	METAL CHIP 220 5% 1/16W		
2398		B	RESISTOR		R3310	1-218-945-11	METAL CHIP 220 5% 1/16W		
2399		B	RESISTOR		R3311	1-208-695-11	METAL CHIP 3.3K 0.5% 1/16W		
2400		B	RESISTOR		R3312	1-218-945-11	METAL CHIP 220 5% 1/16W		
2401		B	RESISTOR		R3313	1-218-990-11	SHORT CHIP 0		
2402		B	RESISTOR		R3316	1-218-990-11	SHORT CHIP 0		
2403		B	RESISTOR		R3317	1-218-990-11	SHORT CHIP 0		
2404		B	RESISTOR		R3318	1-220-180-11	METAL CHIP 620 5% 1/16W		
2405		B	RESISTOR		R3319	1-208-873-81	METAL CHIP 270 0.5% 1/16W		
2406		B	RESISTOR		R3324	1-218-990-11	SHORT CHIP 0		
2407		B	RESISTOR		R3325	1-218-941-81	RES-CHIP 100 5% 1/16W		
2408		B	RESISTOR		R3326	1-218-941-81	RES-CHIP 100 5% 1/16W		
2409		B	RESISTOR		R3344	1-218-933-11	RES-CHIP 22 5% 1/16W		

No.	#	Board	Type	Δ / [*]	Ref. No.	Part No.	Description	Remarks-1	Remarks-2
2410		B	RESISTOR		R3345	1-218-933-11	RES-CHIP 22 5% 1/16W		
2411		B	RESISTOR		R3352	1-218-990-11	SHORT CHIP 0		
2412		B	RESISTOR		R3353	1-218-990-11	SHORT CHIP 0		
2413		B	RESISTOR		R3363	1-218-941-81	RES-CHIP 100 5% 1/16W		
2414		B	RESISTOR		R3370	1-218-933-11	RES-CHIP 22 5% 1/16W		
2415		B	RESISTOR		R3371	1-218-985-11	RES-CHIP 470K 5% 1/16W		
2416		B	RESISTOR		R3372	1-218-969-11	RES-CHIP 22K 5% 1/16W		
2417		B	RESISTOR		R3373	1-218-933-11	RES-CHIP 22 5% 1/16W		
2418		B	RESISTOR		R3374	1-218-945-11	RES-CHIP 220 5% 1/16W		
2419		B	RESISTOR		R3375	1-218-953-11	RES-CHIP 1K 5% 1/16W		
2420		B	RESISTOR		R3376	1-218-947-11	RES-CHIP 330 5% 1/16W		
2421		B	RESISTOR		R3377	1-218-945-11	RES-CHIP 220 5% 1/16W		
2422		B	RESISTOR		R3378	1-218-959-11	RES-CHIP 3.3K 5% 1/16W		
2423		B	RESISTOR		R3379	1-208-696-11	METAL CHIP 3.6K 0.5% 1/16W		
2424		B	RESISTOR		R3380	1-218-990-11	SHORT CHIP 0		
2425		B	RESISTOR		R3381	1-218-985-11	RES-CHIP 470K 5% 1/16W		
2426		B	RESISTOR		R3382	1-218-965-11	RES-CHIP 10K 5% 1/16W		
2427		B	RESISTOR		R3383	1-218-990-11	SHORT CHIP 0		
2428		B	RESISTOR		R3600	1-218-941-81	RES-CHIP 100 5% 1/16W		
2429		B	RESISTOR		R3601	1-218-941-81	RES-CHIP 100 5% 1/16W		
2430		B	RESISTOR		R3602	1-218-941-81	RES-CHIP 100 5% 1/16W		
2431		B	RESISTOR		R3603	1-218-965-11	RES-CHIP 10K 5% 1/16W		
2432		B	RESISTOR		R3604	1-218-990-11	SHORT CHIP 0		
2433		B	RESISTOR		R3605	1-218-937-11	RES-CHIP 47 5% 1/16W		
2434		B	RESISTOR		R3606	1-218-937-11	RES-CHIP 47 5% 1/16W		
2435		B	RESISTOR		R3607	1-218-937-11	RES-CHIP 47 5% 1/16W		
2436		B	RESISTOR		R3608	1-218-965-11	RES-CHIP 10K 5% 1/16W		
2437		B	RESISTOR		R3609	1-208-683-11	METAL CHIP 1K 0.5% 1/16W		
2438		B	RESISTOR		R3610	1-208-697-11	METAL CHIP 3.9K 0.5% 1/16W		
2439		B	RESISTOR		R3611	1-218-959-11	RES-CHIP 3.3K 5% 1/16W		
2440		B	RESISTOR		R3612	1-218-989-11	RES-CHIP 1M 5% 1/16W		
2441		B	RESISTOR		R3613	1-218-957-11	RES-CHIP 2.2K 5% 1/16W		
2442		B	RESISTOR		R3614	1-218-965-11	RES-CHIP 10K 5% 1/16W		
2443		B	RESISTOR		R3615	1-218-956-11	RES-CHIP 1.8K 5% 1/16W		
2444		B	RESISTOR		R3616	1-218-971-11	RES-CHIP 33K 5% 1/16W		
2445		B	RESISTOR		R5002	1-216-859-11	METAL CHIP 1.5M 5% 1/10W		
2446		B	RESISTOR		R5003	1-216-864-11	SHORT CHIP 0		
2447		B	RESISTOR		R5004	1-218-990-11	SHORT CHIP 0		
2448		B	RESISTOR		R5008	1-216-802-11	METAL CHIP 27 5% 1/10W		
2449		B	RESISTOR		R5009	1-216-801-11	METAL CHIP 22 5% 1/10W		
2450		B	RESISTOR		R5011	1-216-864-11	SHORT CHIP 0		
2451		B	RESISTOR		R5012	1-216-864-11	SHORT CHIP 0		
2452		B	RESISTOR		R5013	1-218-959-11	RES-CHIP 3.3K 5% 1/16W		
2453		B	RESISTOR		R5016	1-218-959-11	RES-CHIP 3.3K 5% 1/16W		
2454		B	RESISTOR		R5017	1-216-864-11	SHORT CHIP 0		
2455		B	RESISTOR		R5018	1-216-864-11	SHORT CHIP 0		
2456		B	RESISTOR		R5019	1-216-805-11	METAL CHIP 47 5% 1/10W		
2457		B	RESISTOR		R5020	1-216-805-11	METAL CHIP 47 5% 1/10W		
2458		B	RESISTOR		R5022	1-216-827-11	METAL CHIP 3.3K 5% 1/10W		
2459		B	RESISTOR		R5027	1-216-864-11	SHORT CHIP 0		
2460		B	RESISTOR		R5028	1-216-864-11	SHORT CHIP 0		
2461		B	RESISTOR		R5029	1-216-864-11	SHORT CHIP 0		
2462		B	RESISTOR		R5030	1-216-864-11	SHORT CHIP 0		
2463		B	RESISTOR		R5031	1-216-864-11	SHORT CHIP 0		
2464		B	RESISTOR		R5032	1-216-864-11	SHORT CHIP 0		
2465		B	RESISTOR		R5033	1-218-990-11	SHORT CHIP 0		
2466		B	RESISTOR		R5034	1-216-864-11	SHORT CHIP 0		
2467		B	RESISTOR		R5035	1-218-990-11	SHORT CHIP 0		
2468		B	RESISTOR		R5036	1-218-990-11	SHORT CHIP 0		
2469		B	RESISTOR		R5037	1-218-990-11	SHORT CHIP 0		
2470		B	RESISTOR		R5038	1-218-990-11	SHORT CHIP 0		
2471		B	RESISTOR		R5042	1-218-990-11	SHORT CHIP 0		
2472		B	RESISTOR		R5043	1-218-941-81	RES-CHIP 100 5% 1/16W		
2473		B	RESISTOR		R5044	1-218-941-81	RES-CHIP 100 5% 1/16W		
2474		B	RESISTOR		R5045	1-218-941-81	RES-CHIP 100 5% 1/16W		
2475		B	RESISTOR		R5047	1-216-827-11	METAL CHIP 3.3K 5% 1/10W		
2476		B	RESISTOR		R5049	1-216-801-11	METAL CHIP 22 5% 1/10W		
2477		B	RESISTOR		R5050	1-216-829-11	METAL CHIP 4.7K 5% 1/10W		
2478		B	RESISTOR		R5052	1-216-829-11	METAL CHIP 4.7K 5% 1/10W		
2479		B	RESISTOR		R5053	1-216-809-11	METAL CHIP 100 5% 1/10W		
2480		B	RESISTOR		R5054	1-216-827-11	METAL CHIP 3.3K 5% 1/10W		
2481		B	RESISTOR		R5056	1-216-864-11	SHORT CHIP 0		
2482		B	RESISTOR		R5059	1-216-864-11	SHORT CHIP 0		

No.	#	Board	Type	Δ/μ *	Ref. No.	Part No.	Description	Remarks-1	Remarks-2
2483		B	RESISTOR		R5060	1-216-864-11	SHORT CHIP 0		
2484		B	RESISTOR		R5063	1-216-864-11	SHORT CHIP 0		
2485		B	RESISTOR		R5064	1-218-990-11	SHORT CHIP 0		
2486		B	RESISTOR		R5065	1-218-990-11	SHORT CHIP 0		
2487		B	RESISTOR		R5066	1-218-990-11	SHORT CHIP 0		
2488		B	RESISTOR		R5067	1-218-990-11	SHORT CHIP 0		
2489		B	RESISTOR		R5068	1-216-801-11	METAL CHIP 22 5% 1/10W		
2490		B	RESISTOR		R5069	1-216-864-11	SHORT CHIP 0		
2491		B	RESISTOR		R5070	1-218-990-11	SHORT CHIP 0		
2492		B	RESISTOR		R5071	1-216-813-11	METAL CHIP 220 5% 1/10W		
2493		B	RESISTOR		R5072	1-216-827-11	METAL CHIP 3.3K 5% 1/10W		
2494		B	RESISTOR		R5073	1-216-827-11	METAL CHIP 3.3K 5% 1/10W		
2495		B	RESISTOR		R5074	1-216-803-11	METAL CHIP 33 5% 1/10W		
2496		B	RESISTOR		R5075	1-216-864-11	SHORT CHIP 0		
2497		B	RESISTOR		R5076	1-216-864-11	SHORT CHIP 0		
2498		B	RESISTOR		R5077	1-216-864-11	SHORT CHIP 0		
2499		B	RESISTOR		R5078	1-216-839-11	METAL CHIP 33K 5% 1/10W		
2500		B	RESISTOR		R5079	1-216-833-11	METAL CHIP 10K 5% 1/10W		
2501		B	RESISTOR		R5080	1-216-864-11	SHORT CHIP 0		
2502		B	RESISTOR		R5081	1-216-809-11	METAL CHIP 100 5% 1/10W		
2503		B	RESISTOR		R5082	1-216-864-11	SHORT CHIP 0		
2504		B	RESISTOR		R5083	1-216-864-11	SHORT CHIP 0		
2505		B	RESISTOR		R5085	1-216-864-11	SHORT CHIP 0		
2506		B	RESISTOR		R5089	1-216-864-11	SHORT CHIP 0		
2507		B	RESISTOR		R5090	1-216-839-11	METAL CHIP 33K 5% 1/10W		
2508		B	RESISTOR		R5091	1-216-864-11	SHORT CHIP 0		
2509		B	RESISTOR		R5092	1-216-864-11	SHORT CHIP 0		
2510		B	RESISTOR		R5093	1-216-864-11	SHORT CHIP 0		
2511		B	RESISTOR		R5094	1-216-864-11	SHORT CHIP 0		
2512		B	RESISTOR		R5095	1-216-864-11	SHORT CHIP 0		
2513		B	RESISTOR		R5096	1-216-864-11	SHORT CHIP 0		
2514		B	RESISTOR		R5097	1-216-864-11	SHORT CHIP 0		
2515		B	RESISTOR		R5098	1-218-961-11	RES-CHIP 4.7K 5% 1/16W		
2516		B	RESISTOR		R5099	1-216-864-11	SHORT CHIP 0		
2517		B	RESISTOR		R5101	1-218-959-11	RES-CHIP 3.3K 5% 1/16W		
2518		B	RESISTOR		R5102	1-218-864-11	METAL CHIP 5.1K 0.5% 1/10W		
2519		B	RESISTOR		R5103	1-208-683-11	METAL CHIP 1K 0.5% 1/16W		
2520		B	RESISTOR		R5104	1-208-898-81	METAL CHIP 3K 0.5% 1/16W		
2521		B	RESISTOR		R5105	1-208-683-11	METAL CHIP 1K 0.5% 1/16W		
2522		B	RESISTOR		R5106	1-216-801-11	METAL CHIP 22 5% 1/10W		
2523		B	RESISTOR		R5107	1-216-864-11	SHORT CHIP 0		
2524		B	RESISTOR		R5108	1-216-805-11	METAL CHIP 47 5% 1/10W		
2525		B	RESISTOR		R5109	1-216-805-11	METAL CHIP 47 5% 1/10W		
2526		B	RESISTOR		R5110	1-216-805-11	METAL CHIP 47 5% 1/10W		
2527		B	RESISTOR		R5111	1-216-805-11	METAL CHIP 47 5% 1/10W		
2528		B	RESISTOR		R5112	1-216-864-11	SHORT CHIP 0		
2529		B	RESISTOR		R5113	1-216-864-11	SHORT CHIP 0		
2530		B	RESISTOR		R5114	1-218-941-81	RES-CHIP 100 5% 1/16W		
2531		B	RESISTOR		R5115	1-218-941-81	RES-CHIP 100 5% 1/16W		
2532		B	RESISTOR		R5116	1-218-941-81	RES-CHIP 100 5% 1/16W		
2533		B	RESISTOR		R5117	1-218-941-81	RES-CHIP 100 5% 1/16W		
2534		B	RESISTOR		R5118	1-218-941-81	RES-CHIP 100 5% 1/16W		
2535		B	RESISTOR		R5126	1-218-990-11	SHORT CHIP 0		
2536		B	RESISTOR		R5127	1-216-821-11	METAL CHIP 1K 5% 1/10W		
2537		B	RESISTOR		R5128	1-216-821-11	METAL CHIP 1K 5% 1/10W		
2538		B	RESISTOR		R5129	1-216-805-11	METAL CHIP 47 5% 1/10W		
2539		B	RESISTOR		R5801	1-218-961-11	RES-CHIP 4.7K 5% 1/16W		
2540		B	RESISTOR		R5803	1-218-961-11	RES-CHIP 4.7K 5% 1/16W		
2541		B	RESISTOR		R5805	1-216-864-11	SHORT CHIP 0		
2542		B	RESISTOR		R5806	1-216-864-11	SHORT CHIP 0		
2543		B	RESISTOR		R5808	1-218-941-81	RES-CHIP 100 5% 1/16W		
2544		B	RESISTOR		R5809	1-218-965-11	RES-CHIP 10K 5% 1/16W		
2545		B	RESISTOR		R5810	1-216-864-11	SHORT CHIP 0		
2546		B	RESISTOR		R5811	1-218-965-11	RES-CHIP 10K 5% 1/16W		
2547		B	RESISTOR		R5812	1-216-864-11	SHORT CHIP 0		
2548		B	RESISTOR		R5813	1-218-965-11	RES-CHIP 10K 5% 1/16W		
2549		B	RESISTOR		R5814	1-216-864-11	SHORT CHIP 0		
2550		B	RESISTOR		R5815	1-216-864-11	SHORT CHIP 0		
2551		B	RESISTOR		R5817	1-216-833-11	METAL CHIP 10K 5% 1/10W		
2552		B	RESISTOR		R5818	1-216-864-11	SHORT CHIP 0		
2553		B	RESISTOR		R5819	1-218-937-11	RES-CHIP 47 5% 1/16W		
2554		B	RESISTOR		R5820	1-216-864-11	SHORT CHIP 0		
2555		B	RESISTOR		R5823	1-216-833-11	METAL CHIP 10K 5% 1/10W		

No.	#	Board	Type	△/*	Ref. No.	Part No.	Description	Remarks-1	Remarks-2
2556		B	RESISTOR		R5824	1-216-833-11	METAL CHIP 10K 5% 1/10W		
2557		B	RESISTOR		R5836	1-218-990-11	SHORT CHIP 0		
2558		B	RESISTOR		R5838	1-216-864-11	SHORT CHIP 0		
2559		B	RESISTOR		R5849	1-216-812-11	METAL CHIP 180 5% 1/10W		
2560		B	NETWORK		RB1001	1-234-372-21	RES, NETWORK 100X4 (1005)		
2561		B	NETWORK		RB1002	1-234-378-21	RES, NETWORK 10KX4 (1005)		
2562		B	NETWORK		RB1005	1-234-372-21	RES, NETWORK 100X4 (1005)		
2563		B	NETWORK		RB1006	1-234-372-21	RES, NETWORK 100X4 (1005)		
2564		B	NETWORK		RB1007	1-234-372-21	RES, NETWORK 100X4 (1005)		
2565		B	NETWORK		RB1009	1-234-380-21	RES, NETWORK 47KX4 (1005)		
2566		B	NETWORK		RB1011	1-234-372-21	RES, NETWORK 100X4 (1005)		
2567		B	NETWORK		RB1012	1-234-372-21	RES, NETWORK 100X4 (1005)		
2568		B	NETWORK		RB1013	1-234-372-21	RES, NETWORK 100X4 (1005)		
2569		B	NETWORK		RB1014	1-234-372-21	RES, NETWORK 100X4 (1005)		
2570		B	NETWORK		RB1015	1-234-372-21	RES, NETWORK 100X4 (1005)		
2571		B	NETWORK		RB1016	1-234-372-21	RES, NETWORK 100X4 (1005)		
2572		B	NETWORK		RB1017	1-234-372-21	RES, NETWORK 100X4 (1005)		
2573		B	NETWORK		RB1019	1-234-372-21	RES, NETWORK 100X4 (1005)		
2574		B	NETWORK		RB1021	1-234-372-21	RES, NETWORK 100X4 (1005)		
2575		B	NETWORK		RB1023	1-234-372-21	RES, NETWORK 100X4 (1005)		
2576		B	NETWORK		RB1024	1-239-674-81	RESISTOR, NETWORK 100		
2577		B	NETWORK		RB1025	1-234-372-21	RES, NETWORK 100X4 (1005)		
2578		B	NETWORK		RB1026	1-234-372-21	RES, NETWORK 100X4 (1005)		
2579		B	NETWORK		RB1027	1-234-372-21	RES, NETWORK 100X4 (1005)		
2580		B	NETWORK		RB1028	1-239-674-81	RESISTOR, NETWORK 100		
2581		B	NETWORK		RB1029	1-239-674-81	RESISTOR, NETWORK 100		
2582		B	NETWORK		RB1030	1-234-372-21	RES, NETWORK 100X4 (1005)		
2583		B	NETWORK		RB1031	1-234-372-21	RES, NETWORK 100X4 (1005)		
2584		B	NETWORK		RB1032	1-234-372-21	RES, NETWORK 100X4 (1005)		
2585		B	NETWORK		RB1033	1-234-372-21	RES, NETWORK 100X4 (1005)		
2586		B	NETWORK		RB3001	1-234-378-21	RES, NETWORK 10KX4 (1005)		
2587		B	NETWORK		RB3002	1-234-378-21	RES, NETWORK 10KX4 (1005)		
2588		B	NETWORK		RB3003	1-234-378-21	RES, NETWORK 10KX4 (1005)		
2589		B	NETWORK		RB3004	1-234-378-21	RES, NETWORK 10KX4 (1005)		
2590		B	NETWORK		RB3005	1-234-378-21	RES, NETWORK 10KX4 (1005)		
2591		B	NETWORK		RB3006	1-234-372-21	RES, NETWORK 100X4 (1005)		
2592		B	NETWORK		RB3007	1-234-372-21	RES, NETWORK 100X4 (1005)		
2593		B	NETWORK		RB3008	1-234-372-21	RES, NETWORK 100X4 (1005)		
2594		B	NETWORK		RB3009	1-234-372-21	RES, NETWORK 100X4 (1005)		
2595		B	NETWORK		RB3010	1-234-378-21	RES, NETWORK 10KX4 (1005)		
2596		B	NETWORK		RB3011	1-234-372-21	RES, NETWORK 100X4 (1005)		
2597		B	NETWORK		RB3012	1-234-372-21	RES, NETWORK 100X4 (1005)		
2598		B	NETWORK		RB3013	1-234-378-21	RES, NETWORK 10KX4 (1005)		
2599		B	NETWORK		RB3014	1-234-372-21	RES, NETWORK 100X4 (1005)		
2600		B	NETWORK		RB3015	1-234-372-21	RES, NETWORK 100X4 (1005)		
2601		B	NETWORK		RB3016	1-234-378-21	RES, NETWORK 10KX4 (1005)		
2602		B	NETWORK		RB3017	1-234-378-21	RES, NETWORK 10KX4 (1005)		
2603		B	NETWORK		RB3018	1-234-378-21	RES, NETWORK 10KX4 (1005)		
2604		B	NETWORK		RB3019	1-234-372-21	RES, NETWORK 100X4 (1005)		
2605		B	NETWORK		RB3020	1-234-372-21	RES, NETWORK 100X4 (1005)		
2606		B	NETWORK		RB3021	1-234-372-21	RES, NETWORK 100X4 (1005)		
2607		B	NETWORK		RB3022	1-234-372-21	RES, NETWORK 100X4 (1005)		
2608		B	NETWORK		RB3023	1-234-400-21	CONDUCTOR, NETWORK (2010)		
2609		B	NETWORK		RB3024	1-234-400-21	CONDUCTOR, NETWORK (2010)		
2610		B	NETWORK		RB3025	1-234-400-21	CONDUCTOR, NETWORK (2010)		
2611		B	NETWORK		RB3026	1-234-400-21	CONDUCTOR, NETWORK (2010)		
2612		B	NETWORK		RB3027	1-234-372-21	RES, NETWORK 100X4 (1005)		
2613		B	NETWORK		RB3301	1-234-371-21	RES, NETWORK 47X4 (1005)		
2614		B	NETWORK		RB3302	1-234-372-21	RES, NETWORK 100X4 (1005)		
2615		B	NETWORK		RB3303	1-234-372-21	RES, NETWORK 100X4 (1005)		
2616		B	NETWORK		RB3304	1-234-372-21	RES, NETWORK 100X4 (1005)		
2617		B	NETWORK		RB3305	1-234-372-21	RES, NETWORK 100X4 (1005)		
2618		B	NETWORK		RB3306	1-234-371-21	RES, NETWORK 47X4 (1005)		
2619		B	NETWORK		RB3307	1-234-371-21	RES, NETWORK 47X4 (1005)		
2620		B	NETWORK		RB3308	1-234-371-21	RES, NETWORK 47X4 (1005)		
2621		B	NETWORK		RB3309	1-234-372-21	RES, NETWORK 100X4 (1005)		
2622		B	NETWORK		RB3310	1-234-372-21	RES, NETWORK 100X4 (1005)		
2623		B	NETWORK		RB3311	1-234-372-21	RES, NETWORK 100X4 (1005)		
2624		B	NETWORK		RB3312	1-234-372-21	RES, NETWORK 100X4 (1005)		
2625		B	NETWORK		RB3313	1-234-372-21	RES, NETWORK 100X4 (1005)		
2626		B	NETWORK		RB3314	1-234-372-21	RES, NETWORK 100X4 (1005)		
2627		B	NETWORK		RB3600	1-234-371-21	RES, NETWORK 47X4 (1005)		
2628		B	NETWORK		RB5001	1-234-371-21	RES, NETWORK 47X4 (1005)		

No.	#	Board	Type	△/*	Ref. No.	Part No.	Description	Remarks-1	Remarks-2
2629		B	NETWORK		RB5002	1-234-371-21	RES, NETWORK 47X4 (1005)		
2630		B	NETWORK		RB5003	1-234-371-21	RES, NETWORK 47X4 (1005)		
2631		B	NETWORK		RB5004	1-234-371-21	RES, NETWORK 47X4 (1005)		
2632		B	NETWORK		RB5005	1-234-371-21	RES, NETWORK 47X4 (1005)		
2633		B	NETWORK		RB5006	1-234-371-21	RES, NETWORK 47X4 (1005)		
2634		B	NETWORK		RB5013	1-234-371-21	RES, NETWORK 47X4 (1005)		
2635		B	NETWORK		RB5014	1-234-371-21	RES, NETWORK 47X4 (1005)		
2636		B	NETWORK		RB5015	1-234-371-21	RES, NETWORK 47X4 (1005)		
2637		B	NETWORK		RB5016	1-234-371-21	RES, NETWORK 47X4 (1005)		
2638		B	NETWORK		RB5017	1-234-371-21	RES, NETWORK 47X4 (1005)		
2639		B	NETWORK		RB5018	1-234-371-21	RES, NETWORK 47X4 (1005)		
2640		B	NETWORK		RB5019	1-234-400-21	CONDUCTOR, NETWORK (2010)		
2641		B	NETWORK		RB5020	1-234-400-21	CONDUCTOR, NETWORK (2010)		
2642		B	NETWORK		RB5021	1-234-400-21	CONDUCTOR, NETWORK (2010)		
2643		B	NETWORK		RB5022	1-234-400-21	CONDUCTOR, NETWORK (2010)		
2644		B	NETWORK		RB5023	1-234-371-21	RES, NETWORK 47X4 (1005)		
2645		B	NETWORK		RB5024	1-234-371-21	RES, NETWORK 47X4 (1005)		
2646		B	NETWORK		RB5025	1-234-371-21	RES, NETWORK 47X4 (1005)		
2647		B	NETWORK		RB5026	1-234-371-21	RES, NETWORK 47X4 (1005)		
2648		B	NETWORK		RB5027	1-239-674-81	RESISTOR, NETWORK 100		
2649		B	NETWORK		RB5028	1-234-370-21	RES, NETWORK 22X4 (1005)		
2650		B	NETWORK		RB5029	1-234-370-21	RES, NETWORK 22X4 (1005)		
2651		B	NETWORK		RB5030	1-234-370-21	RES, NETWORK 22X4 (1005)		
2652		B	NETWORK		RB5031	1-234-370-21	RES, NETWORK 22X4 (1005)		
2653		B	NETWORK		RB5032	1-239-674-81	RESISTOR, NETWORK 100		
2654		B	NETWORK		RB5801	1-234-371-21	RES, NETWORK 47X4 (1005)		
2655		B	NETWORK		RB5802	1-234-371-21	RES, NETWORK 47X4 (1005)		
2656		B	NETWORK		RB5803	1-234-371-21	RES, NETWORK 47X4 (1005)		
2657		B	NETWORK		RB5804	1-234-371-21	RES, NETWORK 47X4 (1005)		
2658		B	NETWORK		RB5805	1-234-371-21	RES, NETWORK 47X4 (1005)		
2659		B	NETWORK		RB5806	1-234-371-21	RES, NETWORK 47X4 (1005)		
2660		B	NETWORK		RB5807	1-234-370-21	RES, NETWORK 22X4 (1005)		
2661		B	NETWORK		RB5820	1-234-372-21	RES, NETWORK 100X4 (1005)		
2662		B	NETWORK		RB5821	1-234-372-21	RES, NETWORK 100X4 (1005)		
2663		B	NETWORK		RB5822	1-234-372-21	RES, NETWORK 100X4 (1005)		
2664		B	NETWORK		RB5823	1-234-372-21	RES, NETWORK 100X4 (1005)		
2665		B	CRYSTAL		X1001	1-795-650-21	VIBRATOR, CRYSTAL		
2666		B	CRYSTAL		X3002	1-795-951-21	QUARTZ CRYSTAL OSCILLATOR(SMD)		
2667		B	CRYSTAL		X3600	1-795-244-11	VIBRATOR, CERAMIC		
2668		B	CRYSTAL		X5001	1-767-655-21	VIBRATOR, CRYSTAL		
2669		B	CRYSTAL		X5801	1-795-416-21	VIBRATOR, CRYSTAL		
2670		B	CRYSTAL		X5802	1-795-850-21	OSCILLATOR, CRYSTAL		
2671		MS	CAPACITOR		C4000	1-107-820-11	CERAMIC CHIP 0.1UF 16V		
2672		MS	CAPACITOR		C4001	1-107-820-11	CERAMIC CHIP 0.1UF 16V		
2673		MS	CAPACITOR		C4002	1-107-820-11	CERAMIC CHIP 0.1UF 16V		
2674		MS	CAPACITOR		C4003	1-107-820-11	CERAMIC CHIP 0.1UF 16V		
2675		MS	CAPACITOR		C4004	1-107-820-11	CERAMIC CHIP 0.1UF 16V		
2676		MS	CAPACITOR		C4007	1-107-820-11	CERAMIC CHIP 0.1UF 16V		
2677		MS	CAPACITOR		C4008	1-119-667-11	CERAMIC CHIP 22UF 10V		
2678		MS	CAPACITOR		C4009	1-107-820-11	CERAMIC CHIP 0.1UF 16V		
2679		MS	CAPACITOR		C4010	1-107-820-11	CERAMIC CHIP 0.1UF 16V		
2680		MS	CAPACITOR		C4011	1-107-820-11	CERAMIC CHIP 0.1UF 16V		
2681		MS	CAPACITOR		C4012	1-107-820-11	CERAMIC CHIP 0.1UF 16V		
2682		MS	CAPACITOR		C4013	1-164-943-11	CERAMIC CHIP 0.01UF 10.00% 16V		
2683		MS	CAPACITOR		C4014	1-115-467-11	CERAMIC CHIP 0.22UF 10.00% 10V		
2684		MS	CAPACITOR		C4015	1-119-667-11	CERAMIC CHIP 22UF 10V		
2685		MS	CAPACITOR		C4017	1-107-820-11	CERAMIC CHIP 0.1UF 16V		
2686		MS	CAPACITOR		C4018	1-107-820-11	CERAMIC CHIP 0.1UF 16V		
2687		MS	CAPACITOR		C4019	1-117-370-11	CERAMIC CHIP 10UF 10V		
2688		MS	CAPACITOR		C4020	1-107-820-11	CERAMIC CHIP 0.1UF 16V		
2689		MS	CAPACITOR		C4021	1-117-370-11	CERAMIC CHIP 10UF 10V		
2690		MS	CAPACITOR		C4022	1-107-820-11	CERAMIC CHIP 0.1UF 16V		
2691		MS	CAPACITOR		C4023	1-117-370-11	CERAMIC CHIP 10UF 10V		
2692		MS	CAPACITOR		C4024	1-119-667-11	CERAMIC CHIP 22UF 10V		
2693		MS	CAPACITOR		C4025	1-119-667-11	CERAMIC CHIP 22UF 10V		
2694		MS	CAPACITOR		C4026	1-107-820-11	CERAMIC CHIP 0.1UF 16V		
2695		MS	CAPACITOR		C4027	1-119-667-11	CERAMIC CHIP 22UF 10V		
2696		MS	CAPACITOR		C4028	1-128-235-11	ELECT CHIP 0.47UF 20.00% 50V		
2697		MS	CAPACITOR		C4029	1-128-235-11	ELECT CHIP 0.47UF 20.00% 50V		
2698		MS	CAPACITOR		C4100	1-107-820-11	CERAMIC CHIP 0.1UF 16V		
2699		MS	CAPACITOR		C4101	1-107-820-11	CERAMIC CHIP 0.1UF 16V		
2700		MS	CAPACITOR		C4102	1-107-820-11	CERAMIC CHIP 0.1UF 16V		
2701		MS	CAPACITOR		C4103	1-107-820-11	CERAMIC CHIP 0.1UF 16V		

No.	#	Board	Type	△/*	Ref. No.	Part No.	Description	Remarks-1	Remarks-2
2702		MS	CAPACITOR		C4104	1-107-820-11	CERAMIC CHIP 0.1UF 16V		
2703		MS	CAPACITOR		C4105	1-107-820-11	CERAMIC CHIP 0.1UF 16V		
2704		MS	CAPACITOR		C4106	1-107-820-11	CERAMIC CHIP 0.1UF 16V		
2705		MS	CAPACITOR		C4107	1-107-820-11	CERAMIC CHIP 0.1UF 16V		
2706		MS	CAPACITOR		C4108	1-107-820-11	CERAMIC CHIP 0.1UF 16V		
2707		MS	CAPACITOR		C4109	1-107-820-11	CERAMIC CHIP 0.1UF 16V		
2708		MS	CAPACITOR		C4110	1-107-820-11	CERAMIC CHIP 0.1UF 16V		
2709		MS	CAPACITOR		C4111	1-107-820-11	CERAMIC CHIP 0.1UF 16V		
2710		MS	CAPACITOR		C4112	1-107-820-11	CERAMIC CHIP 0.1UF 16V		
2711		MS	CAPACITOR		C4113	1-107-820-11	CERAMIC CHIP 0.1UF 16V		
2712		MS	CAPACITOR		C4114	1-107-820-11	CERAMIC CHIP 0.1UF 16V		
2713		MS	CAPACITOR		C4115	1-107-820-11	CERAMIC CHIP 0.1UF 16V		
2714		MS	CAPACITOR		C4116	1-107-820-11	CERAMIC CHIP 0.1UF 16V		
2715		MS	CAPACITOR		C4117	1-107-820-11	CERAMIC CHIP 0.1UF 16V		
2716		MS	CAPACITOR		C4118	1-107-820-11	CERAMIC CHIP 0.1UF 16V		
2717		MS	CAPACITOR		C4119	1-107-820-11	CERAMIC CHIP 0.1UF 16V		
2718		MS	CAPACITOR		C4120	1-107-820-11	CERAMIC CHIP 0.1UF 16V		
2719		MS	CAPACITOR		C4121	1-107-820-11	CERAMIC CHIP 0.1UF 16V		
2720		MS	CAPACITOR		C4122	1-107-820-11	CERAMIC CHIP 0.1UF 16V		
2721		MS	CAPACITOR		C4123	1-107-820-11	CERAMIC CHIP 0.1UF 16V		
2722		MS	CAPACITOR		C4124	1-107-820-11	CERAMIC CHIP 0.1UF 16V		
2723		MS	CAPACITOR		C4125	1-107-820-11	CERAMIC CHIP 0.1UF 16V		
2724		MS	CAPACITOR		C4126	1-107-820-11	CERAMIC CHIP 0.1UF 16V		
2725		MS	CAPACITOR		C4127	1-107-820-11	CERAMIC CHIP 0.1UF 16V		
2726		MS	CAPACITOR		C4128	1-119-667-11	CERAMIC CHIP 22UF 10V		
2727		MS	CAPACITOR		C4129	1-119-667-11	CERAMIC CHIP 22UF 10V		
2728		MS	CAPACITOR		C4130	1-119-667-11	CERAMIC CHIP 22UF 10V		
2729		MS	CAPACITOR		C4200	1-107-820-11	CERAMIC CHIP 0.1UF 16V		
2730		MS	CAPACITOR		C4201	1-107-820-11	CERAMIC CHIP 0.1UF 16V		
2731		MS	CAPACITOR		C4202	1-107-820-11	CERAMIC CHIP 0.1UF 16V		
2732		MS	CAPACITOR		C4203	1-119-667-11	CERAMIC CHIP 22UF 10V		
2733		MS	CAPACITOR		C4204	1-107-820-11	CERAMIC CHIP 0.1UF 16V		
2734		MS	CAPACITOR		C4205	1-107-820-11	CERAMIC CHIP 0.1UF 16V		
2735		MS	CAPACITOR		C4206	1-107-820-11	CERAMIC CHIP 0.1UF 16V		
2736		MS	CAPACITOR		C4207	1-107-820-11	CERAMIC CHIP 0.1UF 16V		
2737		MS	CAPACITOR		C4208	1-107-820-11	CERAMIC CHIP 0.1UF 16V		
2738		MS	CAPACITOR		C4209	1-107-820-11	CERAMIC CHIP 0.1UF 16V		
2739		MS	CAPACITOR		C4210	1-107-820-11	CERAMIC CHIP 0.1UF 16V		
2740		MS	CAPACITOR		C4211	1-107-820-11	CERAMIC CHIP 0.1UF 16V		
2741		MS	CAPACITOR		C4212	1-119-667-11	CERAMIC CHIP 22UF 10V		
2742		MS	CAPACITOR		C4213	1-107-820-11	CERAMIC CHIP 0.1UF 16V		
2743		MS	CAPACITOR		C4214	1-107-820-11	CERAMIC CHIP 0.1UF 16V		
2744		MS	CAPACITOR		C4215	1-107-820-11	CERAMIC CHIP 0.1UF 16V		
2745		MS	CAPACITOR		C4216	1-107-820-11	CERAMIC CHIP 0.1UF 16V		
2746		MS	CAPACITOR		C4217	1-107-820-11	CERAMIC CHIP 0.1UF 16V		
2747		MS	CAPACITOR		C4218	1-107-820-11	CERAMIC CHIP 0.1UF 16V		
2748		MS	CAPACITOR		C4219	1-107-820-11	CERAMIC CHIP 0.1UF 16V		
2749		MS	CAPACITOR		C4220	1-119-667-11	CERAMIC CHIP 22UF 10V		
2750		MS	CAPACITOR		C4221	1-107-820-11	CERAMIC CHIP 0.1UF 16V		
2751		MS	CAPACITOR		C4222	1-107-820-11	CERAMIC CHIP 0.1UF 16V		
2752		MS	CONNECTOR		CN4000	1-816-511-21	CONNECTOR, FFC/FPC (ZIF) 50P		
2753		MS	CONNECTOR		CN4101	1-784-862-21	CONNECTOR,FFC(LIF(NON-ZIF))10P		
2754		MS	DIODE		D4001	8-719-081-97	DIODE MMDL914T1		
2755		MS	FERRITE BEAD		FB4000	1-414-445-11	FERRITE 0UH		
2756		MS	FERRITE BEAD		FB4001	1-414-445-11	FERRITE 0UH		
2757		MS	FERRITE BEAD		FB4003	1-414-445-11	FERRITE 0UH		
2758		MS	FERRITE BEAD		FB4004	1-414-445-11	FERRITE 0UH		
2759		MS	FERRITE BEAD		FB4005	1-414-445-11	FERRITE 0UH		
2760		MS	FERRITE BEAD		FB4006	1-414-445-11	FERRITE 0UH		
2761		MS	FERRITE BEAD		FB4010	1-400-150-21	FERRITE 0UH		
2762		MS	FERRITE BEAD		FB4011	1-400-180-21	INDUCTOR 0UH		
2763		MS	FERRITE BEAD		FB4013	1-400-180-21	INDUCTOR 0UH		
2764		MS	FERRITE BEAD		FB4014	1-400-180-21	INDUCTOR 0UH		
2765		MS	FERRITE BEAD		FB4015	1-400-180-21	INDUCTOR 0UH		
2766		MS	FERRITE BEAD		FB4016	1-414-445-11	FERRITE 0UH		
2767		MS	FERRITE BEAD		FB4017	1-414-921-11	FERRITE 0UH		
2768		MS	FERRITE BEAD		FB4100	1-414-445-11	FERRITE 0UH		
2769		MS	FERRITE BEAD	*	FB4101	1-469-670-21	FERRITE 0UH		
2770		MS	FERRITE BEAD		FB4102	1-414-445-11	FERRITE 0UH		
2771		MS	FERRITE BEAD		FB4200	1-414-445-11	FERRITE 0UH		
2772		MS	FERRITE BEAD		FB4201	1-414-445-11	FERRITE 0UH		
2773		MS	FERRITE BEAD		FB4202	1-414-445-11	FERRITE 0UH		
2774		MS	IC		IC4000	6-702-607-01	IC MB93491		

No.	#	Board	Type	Δ / [*]	Ref. No.	Part No.	Description	Remarks-1	Remarks-2
2775		MS	IC		IC4001	8-759-672-79	IC M24C02-WMN6T(A)		
2776		MS	IC		IC4002	8-759-331-27	IC MM1096AFF		
2777		MS	IC		IC4003	8-759-665-50	IC AK4352VT-E2		
2778		MS	IC		IC4004	8-759-832-05	IC BA18BC0FP-E2		
2779		MS	IC		IC4200	6-702-511-01	IC MT48LC8M16A2TG-75-Y95W		
2780		MS	IC		IC4201	6-702-812-11	IC CY27027ZCT		
2781		MS	IC		IC4202	6-702-511-01	IC MT48LC8M16A2TG-75-Y95W		
2782		MS	IC		IC4203	6-803-889-01	IC MBM29LV160BE-90TN-AT2UC-01		
2783		MS	COIL		L4000	1-414-770-91	INDUCTOR 4.7UH		
2784		MS	COIL		L4200	1-469-058-11	INDUCTOR 22UH		
2785		MS	TRANSISTOR		Q4001	8-729-013-28	TRANSISTOR HN1B01FU-TE85R		
2786		MS	TRANSISTOR		Q4002	8-729-928-81	TRANSISTOR DTC144EE		
2787		MS	TRANSISTOR		Q4003	8-729-928-27	TRANSISTOR DTA144EE		
2788		MS	TRANSISTOR		Q4004	8-729-927-99	TRANSISTOR 2SC4617R		
2789		MS	TRANSISTOR		Q4005	8-729-927-99	TRANSISTOR 2SC4617R		
2790		MS	RESISTOR		R4000	1-218-965-11	RES-CHIP 10K 5% 1/16W		
2791		MS	RESISTOR		R4001	1-218-933-11	RES-CHIP 22 5% 1/16W		
2792		MS	RESISTOR		R4003	1-218-933-11	RES-CHIP 22 5% 1/16W		
2793		MS	RESISTOR		R4004	1-218-933-11	RES-CHIP 22 5% 1/16W		
2794		MS	RESISTOR		R4005	1-218-933-11	RES-CHIP 22 5% 1/16W		
2795		MS	RESISTOR		R4006	1-218-933-11	RES-CHIP 22 5% 1/16W		
2796		MS	RESISTOR		R4007	1-218-933-11	RES-CHIP 22 5% 1/16W		
2797		MS	RESISTOR		R4008	1-218-965-11	RES-CHIP 10K 5% 1/16W		
2798		MS	RESISTOR		R4009	1-218-955-11	RES-CHIP 1.5K 5% 1/16W		
2799		MS	RESISTOR		R4012	1-218-961-11	RES-CHIP 4.7K 5% 1/16W		
2800		MS	RESISTOR		R4013	1-218-961-11	RES-CHIP 4.7K 5% 1/16W		
2801		MS	RESISTOR		R4014	1-218-933-11	RES-CHIP 22 5% 1/16W		
2802		MS	RESISTOR		R4015	1-218-965-11	RES-CHIP 10K 5% 1/16W		
2803		MS	RESISTOR		R4016	1-218-933-11	RES-CHIP 22 5% 1/16W		
2804		MS	RESISTOR		R4017	1-218-933-11	RES-CHIP 22 5% 1/16W		
2805		MS	RESISTOR		R4018	1-218-933-11	RES-CHIP 22 5% 1/16W		
2806		MS	RESISTOR		R4025	1-218-933-11	RES-CHIP 22 5% 1/16W		
2807		MS	RESISTOR		R4026	1-218-933-11	RES-CHIP 22 5% 1/16W		
2808		MS	RESISTOR		R4027	1-218-933-11	RES-CHIP 22 5% 1/16W		
2809		MS	RESISTOR		R4028	1-218-933-11	RES-CHIP 22 5% 1/16W		
2810		MS	RESISTOR		R4029	1-218-990-11	SHORT CHIP 0		
2811		MS	RESISTOR		R4030	1-218-990-11	SHORT CHIP 0		
2812		MS	RESISTOR		R4031	1-218-990-11	SHORT CHIP 0		
2813		MS	RESISTOR		R4032	1-218-990-11	SHORT CHIP 0		
2814		MS	RESISTOR		R4033	1-218-965-11	RES-CHIP 10K 5% 1/16W		
2815		MS	RESISTOR		R4034	1-218-965-11	RES-CHIP 10K 5% 1/16W		
2816		MS	RESISTOR		R4037	1-218-965-11	RES-CHIP 10K 5% 1/16W		
2817		MS	RESISTOR		R4038	1-218-990-11	SHORT CHIP 0		
2818		MS	RESISTOR		R4040	1-218-989-11	RES-CHIP 1M 5% 1/16W		
2819		MS	RESISTOR		R4042	1-218-965-11	RES-CHIP 10K 5% 1/16W		
2820		MS	RESISTOR		R4043	1-218-973-11	RES-CHIP 47K 5% 1/16W		
2821		MS	RESISTOR		R4044	1-218-973-11	RES-CHIP 47K 5% 1/16W		
2822		MS	RESISTOR		R4045	1-218-961-11	RES-CHIP 4.7K 5% 1/16W		
2823		MS	RESISTOR		R4046	1-218-961-11	RES-CHIP 4.7K 5% 1/16W		
2824		MS	RESISTOR		R4047	1-218-933-11	RES-CHIP 22 5% 1/16W		
2825		MS	RESISTOR		R4048	1-218-933-11	RES-CHIP 22 5% 1/16W		
2826		MS	RESISTOR		R4051	1-218-965-11	RES-CHIP 10K 5% 1/16W		
2827		MS	RESISTOR		R4052	1-218-945-11	RES-CHIP 220 5% 1/16W		
2828		MS	RESISTOR		R4053	1-218-965-11	RES-CHIP 10K 5% 1/16W		
2829		MS	RESISTOR		R4054	1-218-953-11	RES-CHIP 1K 5% 1/16W		
2830		MS	RESISTOR		R4055	1-218-953-11	RES-CHIP 1K 5% 1/16W		
2831		MS	RESISTOR		R4060	1-218-965-11	RES-CHIP 10K 5% 1/16W		
2832		MS	RESISTOR		R4061	1-218-965-11	RES-CHIP 10K 5% 1/16W		
2833		MS	RESISTOR		R4062	1-218-965-11	RES-CHIP 10K 5% 1/16W		
2834		MS	RESISTOR		R4063	1-218-965-11	RES-CHIP 10K 5% 1/16W		
2835		MS	RESISTOR		R4064	1-218-965-11	RES-CHIP 10K 5% 1/16W		
2836		MS	RESISTOR		R4065	1-218-965-11	RES-CHIP 10K 5% 1/16W		
2837		MS	RESISTOR		R4066	1-218-965-11	RES-CHIP 10K 5% 1/16W		
2838		MS	RESISTOR		R4067	1-218-965-11	RES-CHIP 10K 5% 1/16W		
2839		MS	RESISTOR		R4100	1-218-990-11	SHORT CHIP 0		
2840		MS	RESISTOR		R4101	1-218-965-11	RES-CHIP 10K 5% 1/16W		
2841		MS	RESISTOR		R4102	1-218-965-11	RES-CHIP 10K 5% 1/16W		
2842		MS	RESISTOR		R4103	1-218-965-11	RES-CHIP 10K 5% 1/16W		
2843		MS	RESISTOR		R4104	1-218-933-11	RES-CHIP 22 5% 1/16W		
2844		MS	RESISTOR		R4105	1-218-937-11	RES-CHIP 47 5% 1/16W		
2845		MS	RESISTOR		R4106	1-218-965-11	RES-CHIP 10K 5% 1/16W		
2846		MS	RESISTOR		R4107	1-218-965-11	RES-CHIP 10K 5% 1/16W		
2847		MS	RESISTOR		R4108	1-218-965-11	RES-CHIP 10K 5% 1/16W		

No.	#	Board	Type	△/*	Ref. No.	Part No.	Description	Remarks-1	Remarks-2
2848		MS	RESISTOR		R4109	1-218-965-11	RES-CHIP 10K 5% 1/16W		
2849		MS	RESISTOR		R4110	1-218-965-11	RES-CHIP 10K 5% 1/16W		
2850		MS	RESISTOR		R4111	1-218-933-11	RES-CHIP 22 5% 1/16W		
2851		MS	RESISTOR		R4112	1-218-933-11	RES-CHIP 22 5% 1/16W		
2852		MS	RESISTOR		R4113	1-218-933-11	RES-CHIP 22 5% 1/16W		
2853		MS	RESISTOR		R4115	1-218-933-11	RES-CHIP 22 5% 1/16W		
2854		MS	RESISTOR		R4116	1-218-933-11	RES-CHIP 22 5% 1/16W		
2855		MS	RESISTOR		R4117	1-218-933-11	RES-CHIP 22 5% 1/16W		
2856		MS	RESISTOR		R4126	1-218-933-11	RES-CHIP 22 5% 1/16W		
2857		MS	RESISTOR		R4200	1-218-990-11	SHORT CHIP 0		
2858		MS	RESISTOR		R4201	1-218-990-11	SHORT CHIP 0		
2859		MS	RESISTOR		R4202	1-218-990-11	SHORT CHIP 0		
2860		MS	RESISTOR		R4203	1-218-990-11	SHORT CHIP 0		
2861		MS	RESISTOR		R4204	1-218-990-11	SHORT CHIP 0		
2862		MS	RESISTOR		R4205	1-218-937-11	RES-CHIP 47 5% 1/16W		
2863		MS	RESISTOR		R4206	1-218-937-11	RES-CHIP 47 5% 1/16W		
2864		MS	RESISTOR		R4207	1-218-937-11	RES-CHIP 47 5% 1/16W		
2865		MS	RESISTOR		R4208	1-218-937-11	RES-CHIP 47 5% 1/16W		
2866		MS	RESISTOR		R4209	1-218-990-11	SHORT CHIP 0		
2867		MS	RESISTOR		R4210	1-218-990-11	SHORT CHIP 0		
2868		MS	RESISTOR		R4221	1-216-864-11	SHORT CHIP 0		
2869		MS	RESISTOR		R4222	1-216-864-11	SHORT CHIP 0		
2870		MS	RESISTOR		R4223	1-216-864-11	SHORT CHIP 0		
2871		MS	RESISTOR		R4224	1-216-864-11	SHORT CHIP 0		
2872		MS	RESISTOR		R4225	1-216-864-11	SHORT CHIP 0		
2873		MS	RESISTOR		R4226	1-216-864-11	SHORT CHIP 0		
2874		MS	RESISTOR		R4227	1-216-864-11	SHORT CHIP 0		
2875		MS	RESISTOR		R4228	1-216-864-11	SHORT CHIP 0		
2876		MS	NETWORK		RB4000	1-234-370-21	RES, NETWORK 22X4 (1005)		
2877		MS	NETWORK		RB4001	1-234-370-21	RES, NETWORK 22X4 (1005)		
2878		MS	NETWORK		RB4002	1-234-370-21	RES, NETWORK 22X4 (1005)		
2879		MS	NETWORK		RB4003	1-234-370-21	RES, NETWORK 22X4 (1005)		
2880		MS	NETWORK		RB4004	1-234-370-21	RES, NETWORK 22X4 (1005)		
2881		MS	NETWORK		RB4005	1-234-370-21	RES, NETWORK 22X4 (1005)		
2882		MS	NETWORK		RB4006	1-234-370-21	RES, NETWORK 22X4 (1005)		
2883		MS	NETWORK		RB4007	1-234-370-21	RES, NETWORK 22X4 (1005)		
2884		MS	NETWORK		RB4008	1-234-370-21	RES, NETWORK 22X4 (1005)		
2885		MS	NETWORK		RB4009	1-234-370-21	RES, NETWORK 22X4 (1005)		
2886		MS	NETWORK		RB4010	1-234-370-21	RES, NETWORK 22X4 (1005)		
2887		MS	NETWORK		RB4011	1-234-370-21	RES, NETWORK 22X4 (1005)		
2888		MS	NETWORK		RB4012	1-234-370-21	RES, NETWORK 22X4 (1005)		
2889		MS	NETWORK		RB4013	1-234-370-21	RES, NETWORK 22X4 (1005)		
2890		MS	NETWORK		RB4014	1-234-370-21	RES, NETWORK 22X4 (1005)		
2891		MS	NETWORK		RB4015	1-234-370-21	RES, NETWORK 22X4 (1005)		
2892		MS	NETWORK		RB4016	1-234-370-21	RES, NETWORK 22X4 (1005)		
2893		MS	NETWORK		RB4017	1-234-370-21	RES, NETWORK 22X4 (1005)		
2894		MS	NETWORK		RB4018	1-234-370-21	RES, NETWORK 22X4 (1005)		
2895		MS	NETWORK		RB4100	1-234-378-21	RES, NETWORK 10KX4 (1005)		
2896		MS	NETWORK		RB4101	1-234-378-21	RES, NETWORK 10KX4 (1005)		
2897		MS	NETWORK		RB4102	1-234-378-21	RES, NETWORK 10KX4 (1005)		
2898		MS	NETWORK		RB4103	1-234-378-21	RES, NETWORK 10KX4 (1005)		
2899		MS	NETWORK		RB4104	1-234-378-21	RES, NETWORK 10KX4 (1005)		
2900		MS	NETWORK		RB4105	1-234-378-21	RES, NETWORK 10KX4 (1005)		
2901		MS	NETWORK		RB4106	1-234-378-21	RES, NETWORK 10KX4 (1005)		
2902		MS	NETWORK		RB4107	1-234-378-21	RES, NETWORK 10KX4 (1005)		
2903		MS	NETWORK		RB4108	1-234-378-21	RES, NETWORK 10KX4 (1005)		
2904		MS	NETWORK		RB4200	1-234-371-21	RES, NETWORK 47X4 (1005)		
2905		MS	NETWORK		RB4201	1-234-371-21	RES, NETWORK 47X4 (1005)		
2906		MS	NETWORK		RB4202	1-234-371-21	RES, NETWORK 47X4 (1005)		
2907		MS	NETWORK		RB4203	1-234-371-21	RES, NETWORK 47X4 (1005)		
2908		MS	NETWORK		RB4204	1-234-371-21	RES, NETWORK 47X4 (1005)		
2909		MS	NETWORK		RB4205	1-234-371-21	RES, NETWORK 47X4 (1005)		
2910		MS	NETWORK		RB4206	1-234-371-21	RES, NETWORK 47X4 (1005)		
2911		MS	NETWORK		RB4207	1-234-371-21	RES, NETWORK 47X4 (1005)		
2912		MS	NETWORK		RB4208	1-234-371-21	RES, NETWORK 47X4 (1005)		
2913		MS	NETWORK		RB4209	1-234-371-21	RES, NETWORK 47X4 (1005)		
2914		MS	NETWORK		RB4210	1-234-371-21	RES, NETWORK 47X4 (1005)		
2915		MS	NETWORK		RB4211	1-234-371-21	RES, NETWORK 47X4 (1005)		
2916		MS	NETWORK		RB4212	1-234-371-21	RES, NETWORK 47X4 (1005)		
2917		MS	NETWORK		RB4213	1-234-371-21	RES, NETWORK 47X4 (1005)		
2918		MS	NETWORK		RB4214	1-234-371-21	RES, NETWORK 47X4 (1005)		
2919		MS	NETWORK		RB4215	1-234-371-21	RES, NETWORK 47X4 (1005)		
2920		MS	NETWORK		RB4216	1-234-371-21	RES, NETWORK 47X4 (1005)		

No.	#	Board	Type	Δ /*	Ref. No.	Part No.	Description	Remarks-1	Remarks-2
2921		MS	NETWORK		RB4217	1-234-371-21	RES, NETWORK 47X4 (1005)		
2922		MS	NETWORK		RB4218	1-234-371-21	RES, NETWORK 47X4 (1005)		
2923		MS	NETWORK		RB4219	1-234-371-21	RES, NETWORK 47X4 (1005)		
2924		MS	CRYSTAL		X4200	1-795-690-22	OSCILLATOR, CRYSTAL (SMD)		

